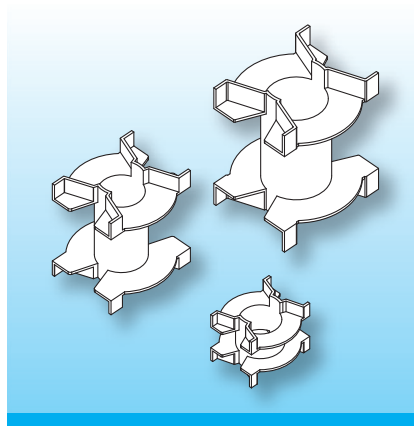


PQ-Specials

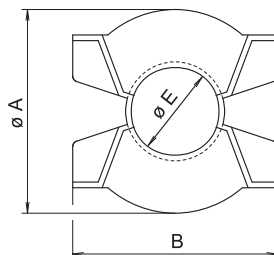
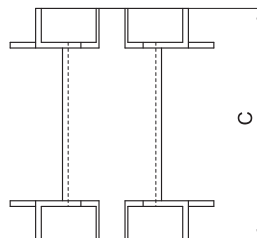
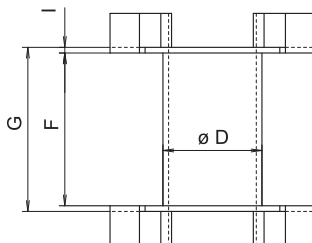
The coilformers are made in gfr Polyethylene Terephthalate PET of type rtg nat. (RTI long-range temperature +155° C).
Special materials – e.g. irradiated cross-linked – and designs on request, dimensions in mm/inch.



The coilformers are suitable for winding with thick wires, flat wires, round- or profiled litz wires and foils.

When ordering please quote type and order-code.

Type	Order-Code		A	B	C	D	E	F	G	I
PQ 20-16/SO/rtg	N0145-087	on request	17.2 0.677	17.2 0.677	16.8 0.661	11.0 0.433	9.2 0.362	8.0 0.315	9.8 0.386	0.9 0.035
PQ 20-20/SO/rtg	N0146-087	on request	17.2 0.677	17.2 0.677	20.8 0.819	11.0 0.433	9.2 0.362	12.0 0.472	13.8 0.543	0.9 0.035
PQ 26-20/SO/rtg	90503-087		21.6 0.850	21.6 0.850	20.0 0.787	14.0 0.551	12.4 0.488	9.0 0.354	10.8 0.425	0.9 0.035
PQ 26-25/SO/rtg	N0147-087	on request	21.6 0.850	21.6 0.850	25.0 0.984	14.0 0.551	12.4 0.488	13.9 0.547	15.5 0.610	0.8 0.031
PQ 32-20/SO/rtg	90505-087		26.6 1.047	26.6 1.047	22.8 0.898	16.0 0.630	14.0 0.551	8.8 0.346	10.8 0.425	1.0 0.039



© 10/2010 by NORWE GmbH

All dimensions in mm/inch

The permissible deviations according to DIN 16901 apply as tolerances

Warranties:
refer to Terms and Conditions of Sale

NORWE GmbH

Postfach 13 56
51691 Bergneustadt

Paulstraße 5, Pernze
51702 Bergneustadt

Deutschland

Telefon +49 (0) 27 63-807-0
Telefax +49 (0) 27 63-807-77
E-mail verkauf@norwe.de
Internet www.norwe.de
www.norwe.eu

NORWE Inc.

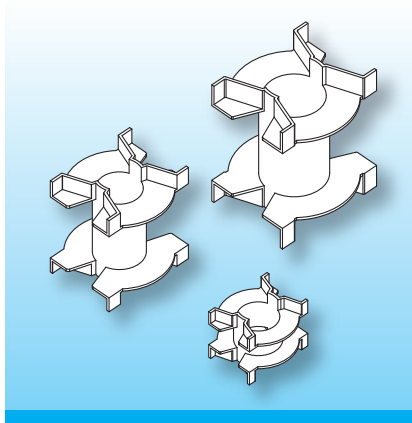
P.O. Box 25 11
North Canton, OH 44720-0511

United States of America

Telefon +1-330 497-8113
Telefax +1-330 305-0592
E-mail usa@norwe.com
Internet www.norwe.com

PQ-Specials

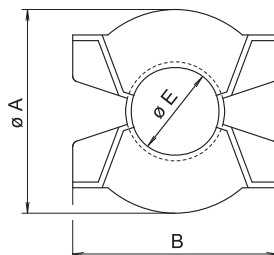
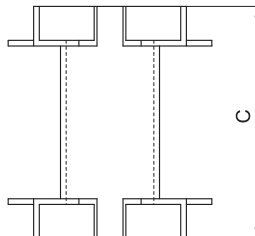
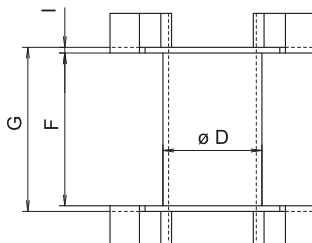
The coilformers are made in gfr Polyethylene Terephthalate PET of type rtg nat. (RTI long-range temperature +155° C).
Special materials – e.g. irradiated cross-linked – and designs on request, dimensions in mm/inch.



The coilformers are suitable for winding with thick wires, flat wires, round- or profiled litz wires and foils.

When ordering please quote type and order-code.

Type	Order-Code		A	B	C	D	E	F	G	I
PQ 32-30/SO/rtg	N0148-087	on request	26.6 1.047	26.6 1.047	31.6 1.244	16.0 0.630	14.0 0.551	18.6 0.732	20.6 0.811	1.0 0.039
PQ 35-25/SO/rtg	N0149-087	on request	31.1 1.224	31.1 1.224	26.5 1.043	16.9 0.665	14.9 0.587	12.5 0.492	14.5 0.571	1.0 0.039
PQ 35-35/SO/rtg	90508-087		31.1 1.224	31.1 1.224	36.3 1.429	16.9 0.665	14.9 0.587	22.3 0.878	24.3 0.957	1.0 0.039
PQ 40-40/SO/rtg	90509-087		36.0 1.417	36.2 1.425	41.0 1.614	17.5 0.689	15.5 0.610	26.8 1.055	28.8 1.134	1.0 0.039
PQ 50-50/SO/rtg	90510-087		42.9 1.689	42.9 1.689	51.0 2.008	23.0 0.906	20.8 0.819	32.8 1.291	35.0 1.378	1.1 0.043



© 10/2010 by NORWE GmbH

All dimensions in mm/inch

The permissible deviations according to DIN 16901 apply as tolerances

Warranties:
refer to Terms and Conditions of Sale

NORWE GmbH

Postfach 13 56
51691 Bergneustadt

Paulstraße 5, Pernze
51702 Bergneustadt

Deutschland

Telefon +49 (0) 27 63-807-0
Telefax +49 (0) 27 63-807-77
E-mail verkauf@norwe.de
Internet www.norwe.de
www.norwe.eu

NORWE Inc.

P.O. Box 25 11
North Canton, OH 44720-0511

United States of America

Telefon +1-330 497-8113
Telefax +1-330 305-0592
E-mail usa@norwe.com
Internet www.norwe.com