

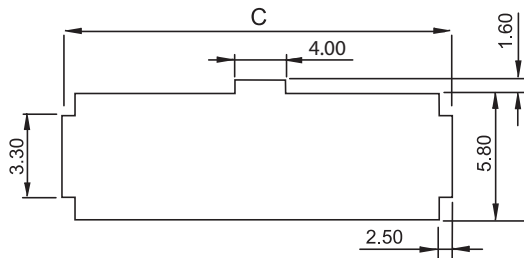
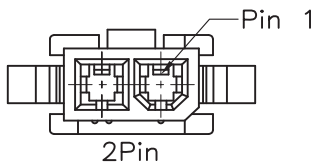
1

2

3

4

5



TECHNICAL CHARACTERISTICS

MATERIAL  
 INSULATOR: NYLON 66  
 FLAMABILITY RATING: UL94-V0  
 COLOR: WHITE  
 PITCH: 4.20 MM

ENVIRONMENTAL  
 OPERATING TEMPERATURE: -40 UP TO 105°C  
 COMPLIANCE: LEAD FREE AND ROHS

ELECTRICAL  
 CURRENT RATING: 6 TO 9 A

NB CIRCUITS	2-3	4-5
AMPERES	9	8

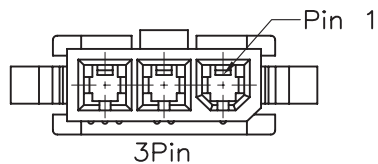
WORKING VOLTAGE: 600 VAC  
 INSULATOR RESISTANCE: >1000 MOHM  
 DIELECTRIC WITHSTANDING VOLTAGE: 1500 VAC/MN

STANDARD  
 CERTIFIED: E323964

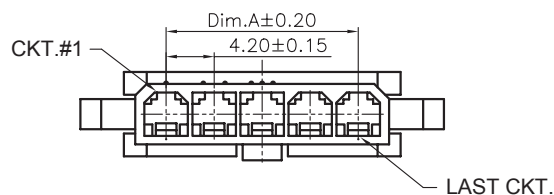
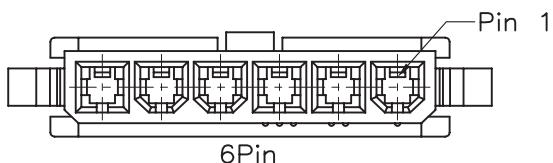
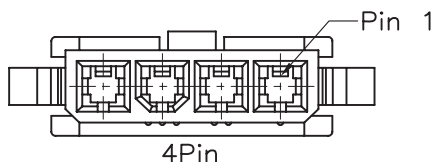
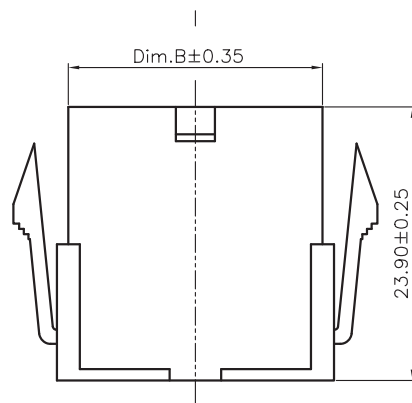
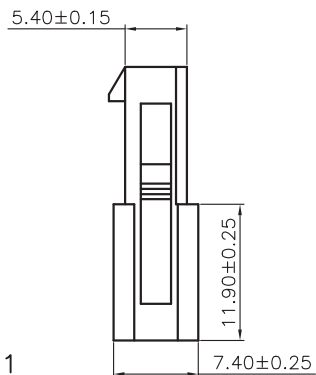
PACKAGING  
 BAG

DIMENSION

PINS	A	B	C
2	4.20	9.60	15.00
3	8.40	13.80	19.20
4	12.60	18.00	23.40
5	16.80	22.20	27.60
6	21.00	26.40	31.80



Recommended Panel Cut-out Thickness = 1,40 ± 0,40



RoHS Compliant

PROJECTION:



GENERAL TOLERANCE

.X = +/- 0.2

.XX = +/- 0.15



APPROVAL: BBu

UNIT: MM

SCALE:

SHEET: 1/3

DRAW: AS

DESCRIPTION: WR-MPC4 - 4.20MM MALE SINGLE ROW PLUG WITH PANEL MOUNT EARS

WERI PART NO: 649 0xx 118 22

SIZE

A4

REV	DATE	FILE	BY
K	01-JUL-15	PINNING	AK
J	26-SEP-14	DRAWING	AS
I	09-OCT-13	PANEL THICK	QL
H	25-MAR-13	PANEL THICK	AR

1

2

3

4

5

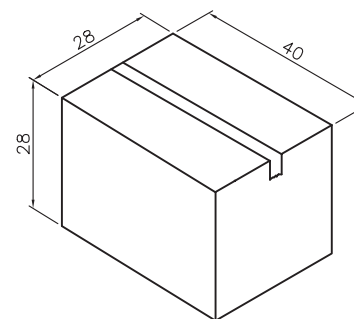
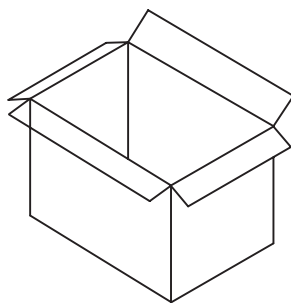
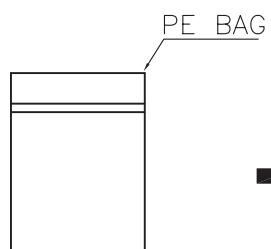
Note:

1.Dimension:

Carton Size:40\*28\*28(cm)

2.Quantity:

Pin.	Pcs/Bag	Pcs/Carton
2	1000	15000
3	1000	15000
4	1000	12000
5	1000	10000
6	1000	8000



Carton

RoHS Compliant

PROJECTION:



GENERAL TOLERANCE

.X = +/- 0.2

.XX = +/- 0.15



APPROVAL: BBu

UNIT: MM

SCALE:

SHEET: 2/3

DRAW: PEARL

DESCRIPTION: 4.20MM MALE SINGLE ROW PLUG WITH PANEL MOUNT EARS

SIZE

A4

WERI PART NO: 649 0xx 118 22

REV	DATE	FILE	BY
G			
F			
E			
D			
C			
B			
A			

1

2

3

4

5

## Cautions and Warnings:

This electronic component is designed and developed with the intention for use in general electronics equipments.

Before incorporating the components into any equipments in the field such as aerospace, aviation, nuclear control, submarine, transportation, (automotive control, train control, ship control), transportation signal, disaster prevention, medical, public information network etc. where higher safety and reliability are especially required or if there is possibility of direct damage or injury to human body, Würth Elektronik must be asked for a written approval.

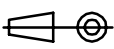

In addition, even electronic component in general electronic equipments, when used in electrical circuits that require high safety, reliability functions or performance, the sufficient reliability evaluation-check for the safety must be performed before by the user before usage.

A

B

C

RoHS Compliant

G				PROJECTION: 	GENERAL TOLERANCE .X = +/- 0.2 .XX = +/- 0.15		
F							
E							
D							
C				APPROVAL: JC	UNIT: MM	DESCRIPTION: DISCLAIMER	SIZE <b>A4</b>
B					SCALE:		
A	10-SEP-14	PDF	QL		SHEET: 3/3	WERI PART NO: DISCLAIMER	
REV	DATE	FILE	BY		DRAW: QL		

D