

# Specification For Approval

MESSRS: \_\_\_\_\_

PARTNO: YL7-1500300

DESIGNED NO: YJ-V-0001

DATE: 2014-08-19

APPROVED BY	CHECKED BY	PREPARED BY

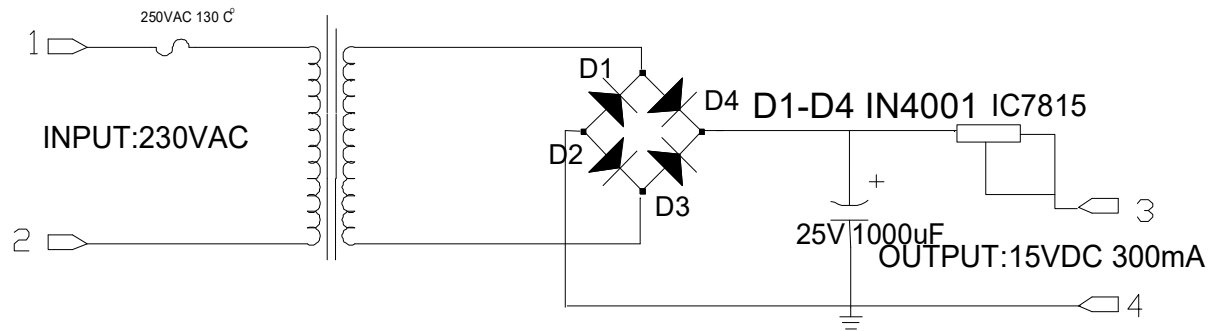
YINGJIAO ELECTRICALCO.,LTD

# YINGJIAO ELECTRICAL CO.,LTD

CUSTOMER:  
PART NO: **YL7-1500300**

DATE:2014-08-19  
DESIGNED NO:YJ-V-0001

- 1.SIZE: EI-41
- 2.SURFACE:DAMAGE RUSTING ARE NOT PERMITTING.
3. MECHANICAL CHARACTER:
- 3-1.STRAIN-RELIEF TEST: LEAD MUST BE WITHSTANDING A PULL 20 LB FOR 30 SECONDS.
- 4.ELECTRICALCHARACTERISTICS:



- 4-1.PRIMARY RATED VOLTAGE AND FREQUENCY: 220-240 VAC 50Hz
- 4-2.SECONDARY RATED VOLTAGE & REGULATION:

TEST POINT	FULL LOAD RATED VOLTAGE	RATED CURRENT	VOLTAGE REGULATION	NO LOAD VOTAGE
3-4	DC15V ± 5%	300mA		DC15V ± 5%

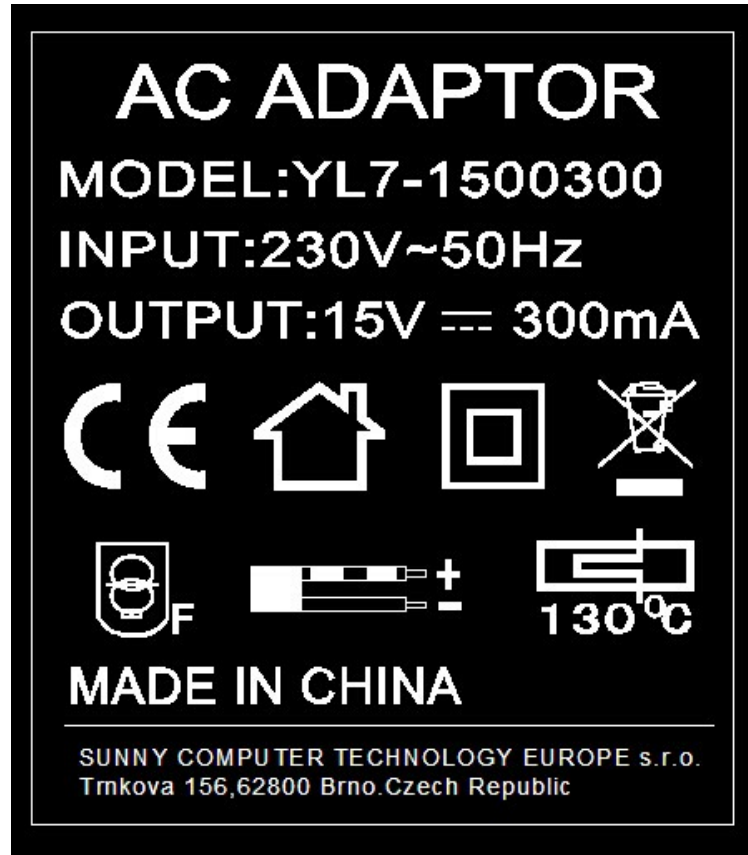
- 4-4.PRIMARY RATED CURRENT:INTPUT PRIMARY 50Hz 220-240 VAC 60mA MAX.
- 4-5.HI-POT TEST 3500 VAC 50 Hz 1 MINUTE.PRIMARY TO SECONDARY & CORE. 1500 VAC 50 Hz 1 MINUTE.SECONDARY TO CORE.(LEAKAGE CURRENT 1 mA).
- 4-6.INDUCED VOLTAGE:ALLSECONDARY OPEN.INPUT PRIMARY 560 VAC 250 Hz FOR 15 SECONDS.SHALL WITHSTAND WITHOUT BREAKDOWN.
- 4-7.INSULATION TEST:DC 500 V 100 MΩ MIN.BETWEEN WINDING TO WINDING & CORE.
- 4-8.TEMP RISE: 75 °C MAX MEASURED BY RESISTACE METHOD.AFTER 8 HOURS WARM UP IN 25 °C AMBIENT. (AT FULL LOAD)
- 4-9.HUMIDITY TEST:TEMP 40±2% °C RELATIVE HUMIDITY 90-95 % FOR 6 HOURS AFTER HEETING 30 MINUTES AT AMBIENT TEMP FOLLOW INSULATION TEST 5 MΩ MIN.

## 5.ENVIROMENTAL CONDITION.

- 5-1. OPERATING TEMPERATURE RANGE: -10°C---+40°C . HUMIDITY RANGE: 10---90% R.H .
- 5-2. STORAGE TEMPERATURE RANGE: -25°C---+80°C .HUMIDITY RANGE:10---90% R.H.

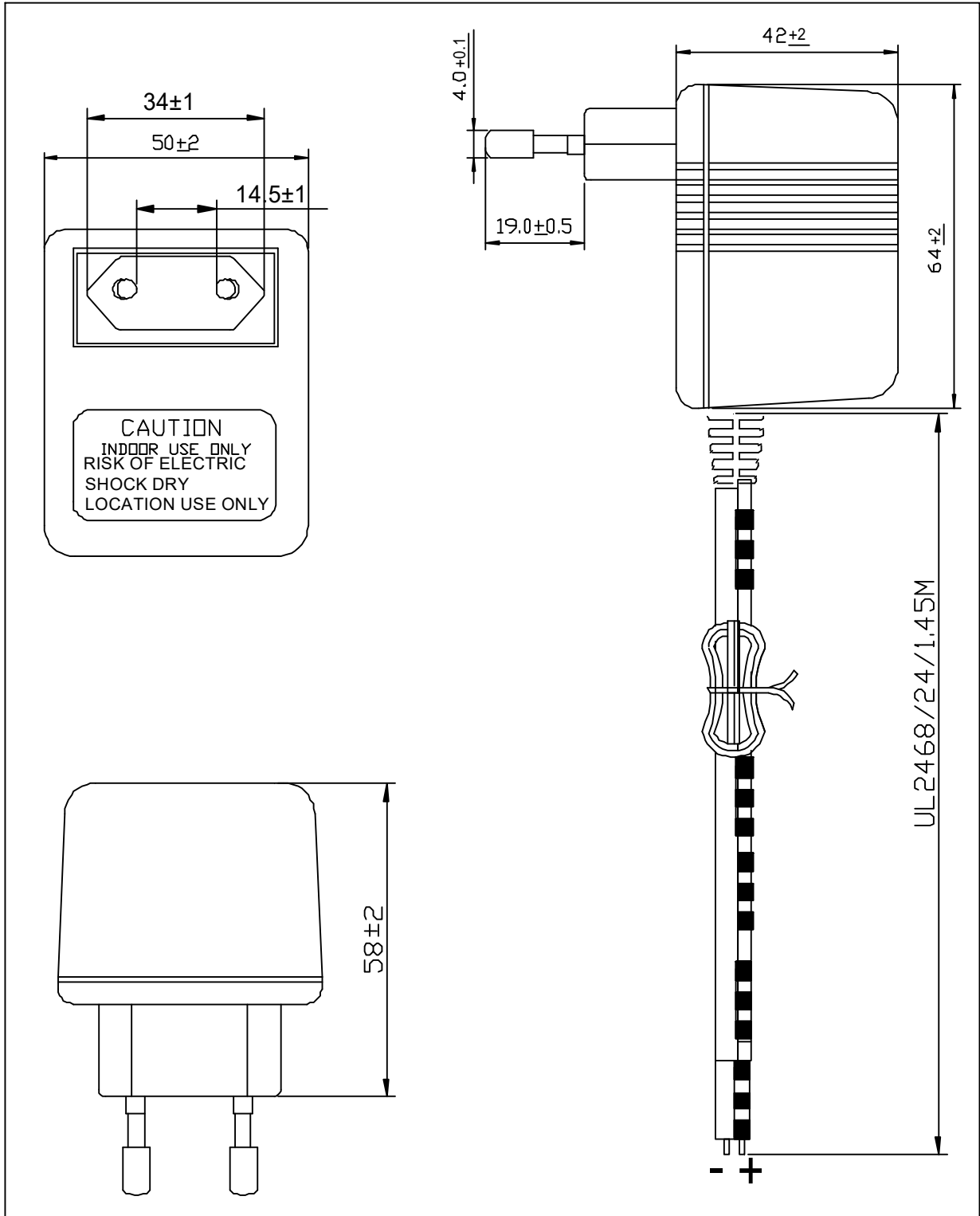
# YINGJIAO ELECTRICAL CO.,LTD

Label contents	Date :	2014-08-19
----------------	--------	------------



Revision	Date :	Date :
	Item :	Item :

# YINGJIAO ELECTRICAL CO.,LTD

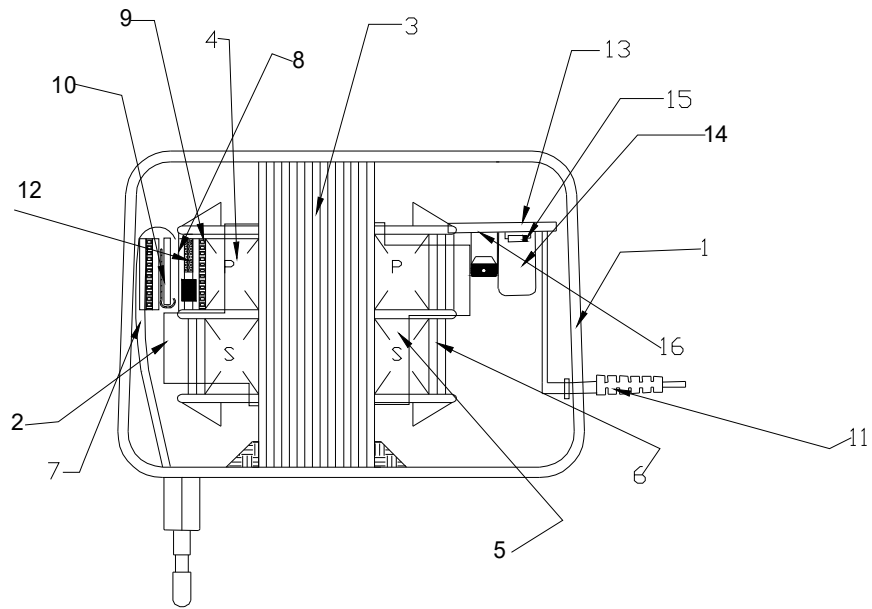


# YINGJIAO ELECTRICAL CO.,LTD

NO	DESCRIPTION	Material	SPEC&QTY
1	Enclosure	NYRYL OR	2.0mm MIN Color:Black
2	Bobbin	Nickel Plating Copper	N66
3	Output Cord	2468 (UL/CSA)	24# 1.5M MIN
4	Core	41H50 50N	0.5mm Thicks
5	Primary Winding	Polyurethane Enameled Polyester Tape	QA 0.025mm 2 Turns
6	The Primary Winding & fuse & Lead W	Press Board	0.05mm 1Pcs.
7	Primary Lead Wire	1007 70mm 2P red-red	1PCS
8	Over The Secondary Insulation . press Board	Polyseter Tape 0.50mm 1 Pcs.	0.025mm 2 Turns.
9	All Over The Primary Insulation .	polyseter Tape Press Board	0.025mm 2 Turns. 0.50mm 1 Pcs.
10	Secondary Winding	Polyurethane Enameled Copper Wire	QA
11	Plug	NC	
12	Thermal Curoff Fuse	F1 130V 130 °C	1 PCS
13	Rectifier Board	P.C.B	1 PCS.
14	Capacitor	1000UF/25V 105°C	1 PCS.
15	Diode	IN4001	4PCS
16	Voltage regulator tube	L7815CV	1PCS

# YINGJIAO ELECTRICAL CO.,LTD

UNIT:mm



APPROVED BY:

CHECKED BY:

DESIGN BY:

DRAWN BY:

# YINGJIAO ELECTRICAL CO.,LTD

CUSTOMER:

DATE :2014-08-19

PART NO: **YL7-1500300**

DESIGNED: YJ-V-0001

ITEM	SPEC	1	2	3		
PRIMARY LOAD CURRENT I/P: 220-240VAC 50Hz	60Ma MAX	41	42	43		
PRIMARY EXCITING CURRENT I/P: 220-240VAC 50Hz	90MAX	65	66	67		
SECONDARY VOLTAGE NO LOAD:OA	DC15V±5%	15.0	14.9	15.08		
SECONDARY VOLTAGE LOAD: DC300mA	DC15V±5%	14.82	14.84	14.88		
H-POT	PRI.TO SEC-CORE	AC3500V/1MIN	OK	OK	OK	
	SEC.TO CORE	AC1500V 1MIN	OK	OK	OK	