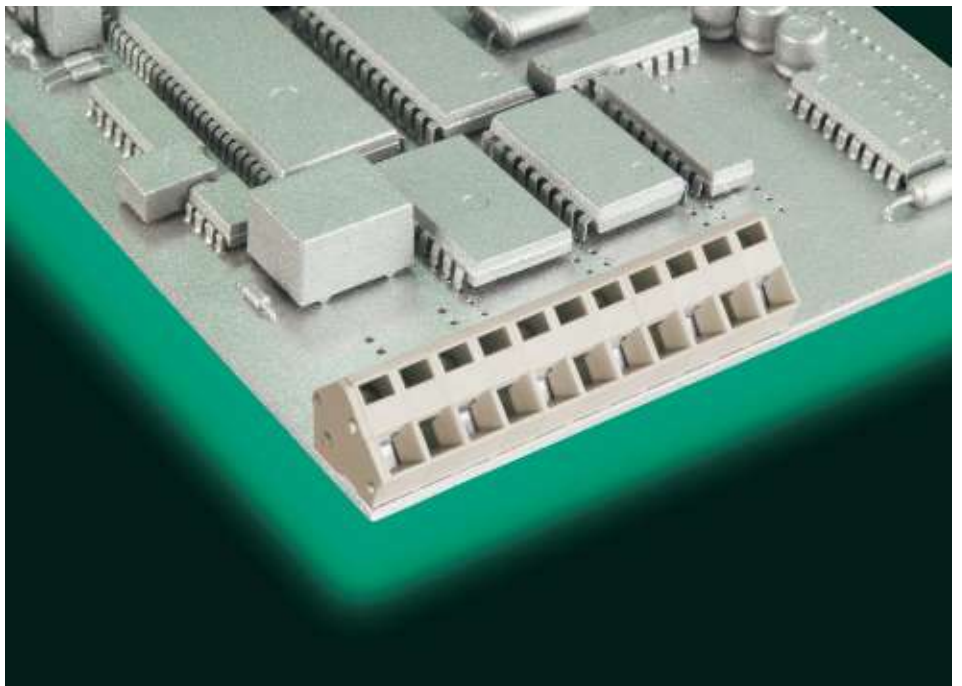




A Phoenix Mecano Company





AK3000/..-5.0-SLADE GREY

1-n poles, spacing 5,0 mm einstellbar auf 5,08 mm

Insert required no. of poles ..

Ratings:

		
Rated Voltage	300 V	250 V
Rated Current	16 A	24 A (T60)
Wire Size	AWG 28-14	2,5 mm ²
Test Voltage		2 kV

Max. Rated Cross Section

Single Wire (solid)		2,5 mm ²
Stranded Wire (flexible)		2,5 mm ²
Stranded Wire with Ferrules		1,5 mm ²

Dimensions

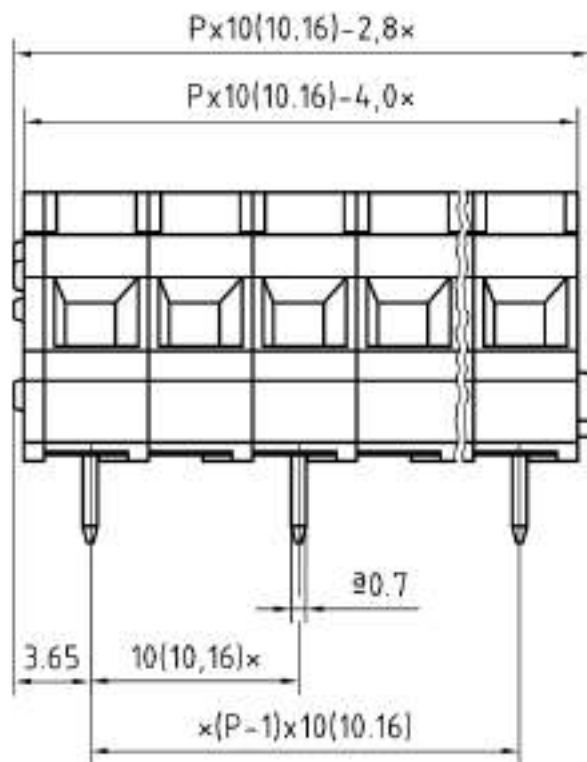
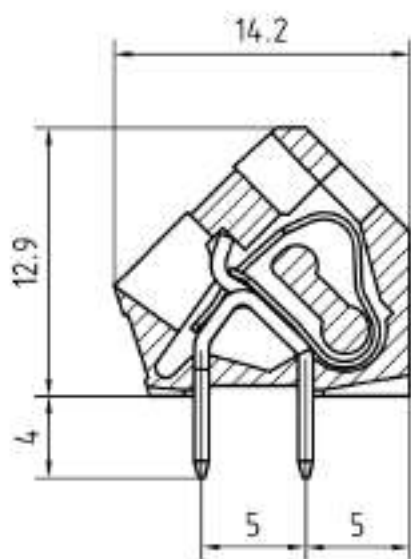
Spacing		5 mm (5,08 mm)
PCB hole diameter		1 mm
Stripped Length		6 mm

Materials

Insulating Material		PA
Flammability Class		UL94 V-0
Temperature Range		-30°C/105°C
Cage clamp		stainless steel
Wire Guard		Cu

Colour

SLADE GREY		RAL 7032
------------	--	----------



P=Polzahl

x Rastermaß 10,0mm, einstellbar auf 10,16mm (kundenseits)