



# LT637X-41-M1

# 2.9MM ROUND SUPERBRIGHT RED LAMP

## Feature

- \* SUPERBRIGHT RED
- \* HIGH LIGHT OUTPUT
- \* RELIABLE AND RUGGED
- \* IC COMPATIBLE

## Absolute Maximum Ratings at T<sub>A</sub>=25°C

REVERSE VOLTAGE.....	4.0v
D.C. FORWARD CURRENT.....	30mA
PULSE CURRENT (1μ SEC. PULSE, 0.3% DUTY CYCLE).....	100 mA
OPERATING TEMPERATURE RANGE.....	-25°C TO +85°C
STORAGE TEMPERATURE RANGE.....	-25°C TO +100°C
LEAD SOLDERING TEMP. (1.6mm FROM BODY).....	260°C FOR 5

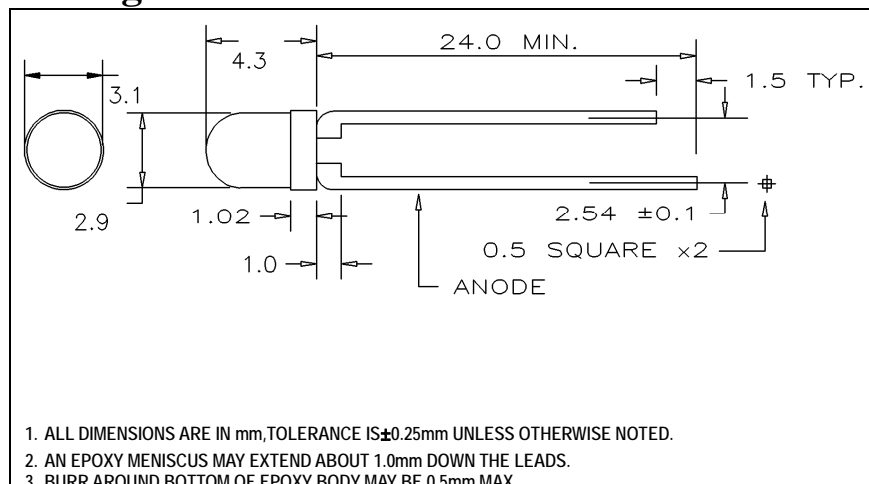
## Electrical/optical characteristics at T<sub>A</sub>=25°C

PART NUMBER	LED CHIP		LEN'S COLOR	PEAK WAVELENGTH @20 mA (nm)	FORWARD VOLTAGE @20mA(V)		LUMINOUS INTENSITY @20mA(mcd)		VIEW ANGLE 2θ <sup>1/2</sup> (deg)
	MATERIAL	EMITTING COLOR			TYP.	MAX.	MIN.	TYP.	
LT6371-41-M1	GaAlAs ON GaAs	RED	R.D.	660	1.7	2.2	38	63	47
LT6372-41-M1	GaAlAs ON GaAs	RED	W.D.	660	1.7	2.2	38	63	47
LT6373-41-M1	GaAlAs ON GaAs	RED	W.C.	660	1.7	2.2	130	215	39
LT6374-41-M1	GaAlAs ON GaAs	RED	R.C.	660	1.7	2.2	130	215	39

- (1) LEN'S COLOR  
 R.D.....RED DIFFUSED      R.C....RED CLEAR  
 W.D.....WHITE DIFFUSED    W.C....WATER CLEAR

- (2) SPECIFICATIONS ARE SUBJECT TO CHANGE WITHOUT NOTICE.  
 (3) ALL ABOVE COMPONENTS ARE CONSIDERED. DEVIATIONS FROM STATED SPECIFACATIONS WILL REQUIRE A NEW PART NUMBER BE ASSIGNED.

## Package Dimensions



## Radiation Pattern

