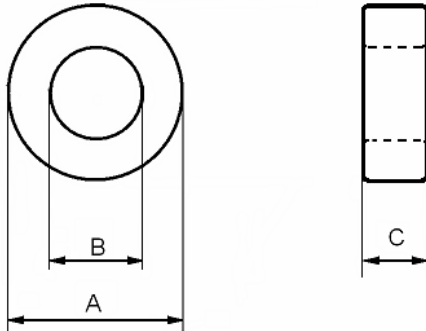




**0077314A7**

110 Delta Drive  
 Pittsburgh, PA 15238  
 Phone: 412/696-1333  
 Fax: 412/696-0333  
 Email:magnetics@spang.com



Permeability ( $\mu$ )	$A_L$ (nH/T <sup>2</sup> )
90	65 ± 8%

Dimensions (mm)		
	Uncoated	Coated
O.D. (A)	22.9 nom	23.6 max
I.D. (B)	14.0 nom	13.34 min
Ht. (C)	7.62 nom	8.38 max

Markings		
XXXXXX	77314A7	N/A
Lot Number	Part Number	Inductance Grade

Physical Characteristics					
$W_A$ (mm <sup>2</sup> ) Window Area	$A_e$ (mm <sup>2</sup> ) Cross Section	$L_p$ (mm) Path Length	$V_e$ (mm <sup>3</sup> ) Volume	Weight (grams)	Box Quantity (pieces)
141	31.7	56.7	1,800	11.16	1,000

Winding Turn Length (mm)	
Winding Factor	Length/Turn
100% (Unity)	42.9
60%	36.7
40%	30.7
20%	28.0
0%	27.0

Wound Coil Dimensions (mm)	
Maximum O.D. (u.w.f.)*	32.6
Maximum HT. (u.w.f.)*	19.8

\*u.w.f. – unity winding factor

Surface Area (mm <sup>2</sup> )	
Unwound Core	1,570
40% Winding Factor	2,380

