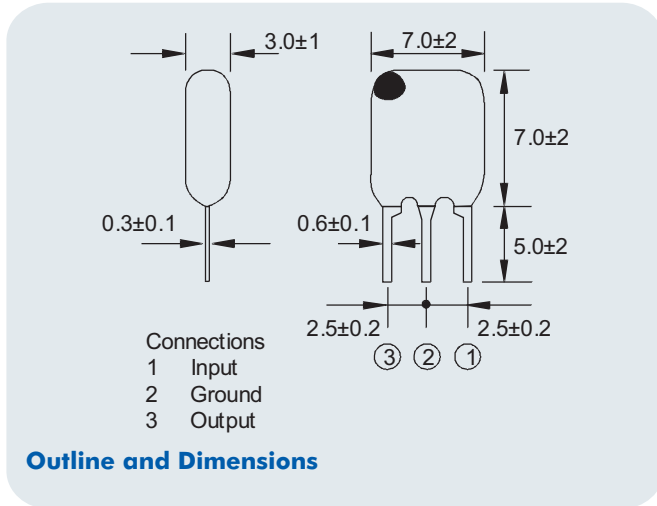
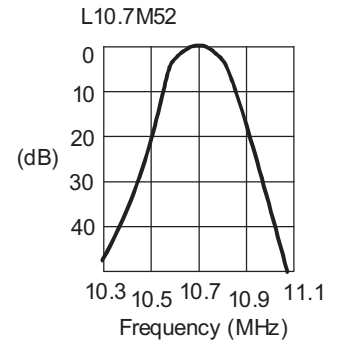
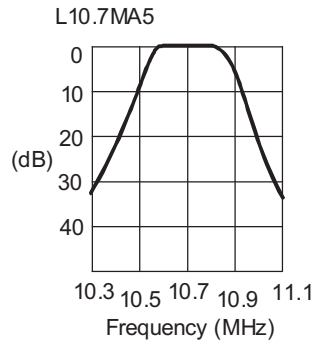


SPECIFICATION



Attenuation characteristics



Electrical characteristics

Part Number	3dB Bandwidth (kHz) min.	20dB Bandwidth (kHz) max.	Insertion Loss (dB) max.	Response (dB) min. (9-12kHz)
L10.7 MA5	280±50	650 (520)	6 (4)	30 (43)
L10.7 MS2	230±50	600 (420)	6 (4)	50 (45)

Specification	10.64	10.67	10.7	10.73	10.76MHz ±30kHz
(Colour)	Black	Blue	Red	Orange	White

() = typical values

TEST CIRCUIT

