



LT032X-41-HE

3.0MM ROUND LAMP (HIGH EFFICIENCY GREEN)

Features

- * HIGH EFFICIENCY GREEN
- * HIGH LIGHT OUTPUT
- * RELIABLE AND RUGGEN
- * IC COMPATIBLE

Absolute Maximum Ratings at $T_A=25^\circ\text{C}$

REVERSE VOLTAGE (<100 μA).....	5.0V
D.C. FORWARD CURRENT	30 mA
PULSE CURRENT (1/10 DUTY CYCLE,0.1 ms PULSE WIDTH).....	100 mA
OPERATING TEMPERATURE RANGE.....	-25 $^\circ\text{C}$ TO +85 $^\circ\text{C}$
STORAGE TEMPERATURE RANGE.....	-25 $^\circ\text{C}$ TO +100 $^\circ\text{C}$
LEAD SOLDERING TEMP. (1.6mm FROM BODY).....	260 $^\circ\text{C}$ FOR 5 SEC.

Electrical/optical characteristics at $T_A=25^\circ\text{C}$

PART NUMBER	LED CHIP		LEN'S COLOR	PEAK WAVELENGTH @20 mA (nm)	FORWARD VOLTAGE @20mA(V)		LUMINOUS INTENSITY @20mA(mcd)		VIEW ANGLE $2\theta_{1/2}$ (deg)
	MATERIAL	EMITTING COLOR			TYP.	MAX.	MIN.	TYP.	
LT0321-41-HE	Gap	GREEN	G.D.	567	2.1	2.6	19.2	32.0	56
LT0322-41-HE	Gap	GREEN	W.D.	567	2.1	2.6	19.2	32.0	56
LT0323-41-HE	Gap	GREEN	W.C.	567	2.1	2.6	65.3	108.8	36
LT0324-41-HE	Gap	GREEN	G.D.	567	2.1	2.6	65.3	108.8	36

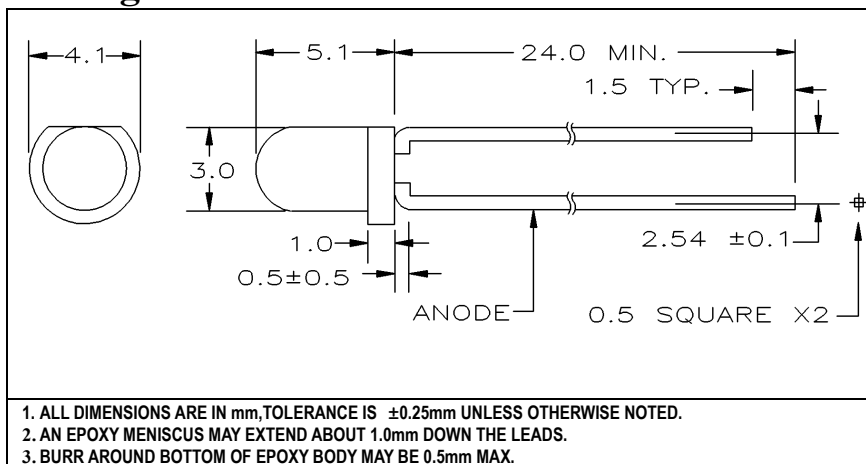
(1) LEN'S COLOR

- G.D....GREEN DIFFUSED
- W.D....WHITE DIFFUSED
- G.C....GREEN CLEAR
- W.C....WATER CLEAR

(2) SPECIFICATIONS ARE SUBJECT TO CHANGE WITHOUT NOTICE.

(3) ALL ABOVE COMPONENTS ARE CONSIDERED . DEVIATIONS FROM STATED SPECIFICATIONS WILL REQUIRE A NEW PART NUMBER BE ASSIGNED .

Package Dimensions



Radiation Pattern

