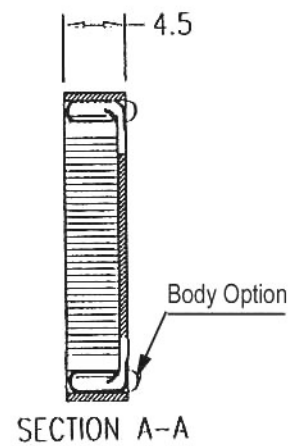
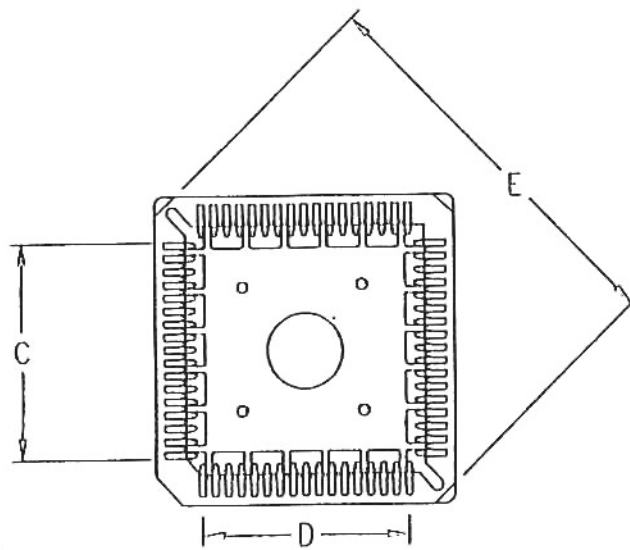


P.C.B LAYOUT



NO OF CONTACT	A±0.2	B±0.2	C±0.2	D±0.2	E±0.2	F±0.2
20	15.24	15.24	5.08	5.08	16.70	12.70
28	17.78	17.78	7.62	7.62	20.30	15.24
32	18.20	20.74	7.62	10.16	22.76	17.78
44	23.28	23.28	12.70	12.70	28.05	20.32
52	25.40	25.40	15.24	15.24	31.10	22.86
68	30.82	30.82	20.32	20.32	38.30	27.94
84	35.90	35.90	25.40	25.40	45.50	33.02

Insulator Material: PPS & 40% Class Fiber (UL 94V-0)
 Contact Resistance: 30mΩ MAX at DC 100mA
 Insulator Resistance: 1000MΩ Min at DC 500V
 Current Rating: 1 AMP
 Dielectric Withstanding Voltage: AC 500V For 1 minute
 Temperature Rating: -55C ~ +105C
 Contact Material: Phosphor Bronze

玄茂科技股份有限公司
 HSUAN MAO TECHNOLOGY CO., LTD.

UNIT		SCALE	PART NAME	
MM		2:1	1.27mm SMT PLCC	
APPD.	CKD.	TOLERANCE	PART NO.	REV.
		±0.3	C0100-XXXXXX00	A

制表日: 2002/12/04

DRAWING. APPROVED
Kevin