

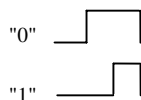
WIRELESS DOOR BELL

遙控門鈴 IC

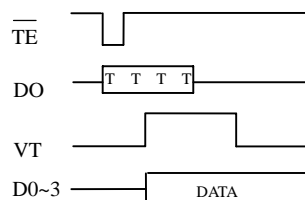
FEATURES 功能敘述

- BZ : DING DONG.
- 1T : 1 time option , Default 2 times.
- $2^8 = 256$ security codes.

BIT FORMAT



PROTOCOL



APPLICATION 產品應用

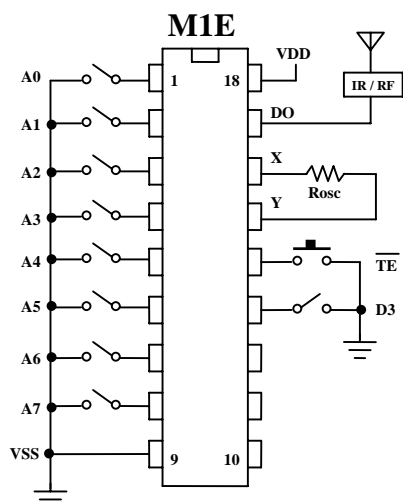
- Door bell system. 門鈴系統.

ELECTRICAL CHARACTERISTICS 電氣規格

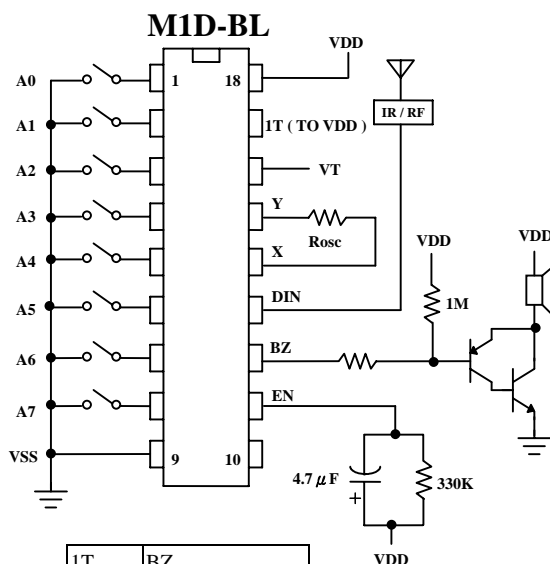
(@ $V_{DD}=4.5V$ unless otherwise specified)

Characteristics	Sym.	Min.	Typ.	Max.	Unit	REMARKS
工作電壓 Operating Voltage	V_{DD}	2.4	4.5	5	V	
工作電流 Operating Current	I_{OP}	—	0.3	1	mA	No load
靜態電流 Quiescent Current	I_{SB}	—	1	10	μA	
推動電流 Driving Current	I_{OL}	1	—	—	mA	@ $V_{DS} = 1V$
振盪頻率 Oscillator Frequency	F_{OSC}	—	100	—	KHz	External $\pm 30\%$
工作溫度 Operating Temperature	Temp.	0	25	60	$^{\circ}C$	

APPLICATION DIAGRAM 參考電路圖



D3	SOUND
OPEN	DING DONG
VSS	DING DING



1T	BZ
X	2 TIMES
VDD	1 TIME

* Rosc ~ M1E : 200K Ω ; M1D-BL : 160K Ω

*All specs and applications shown above subject to change without prior notice.

(以上電路及規格僅供參考,本公司得逕行修正)



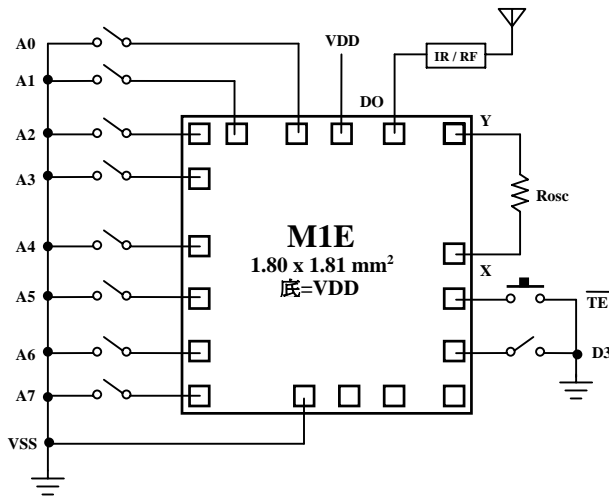
DOOR CHIME	
M1E/M1D-BL	

WIRELESS DOOR BELL

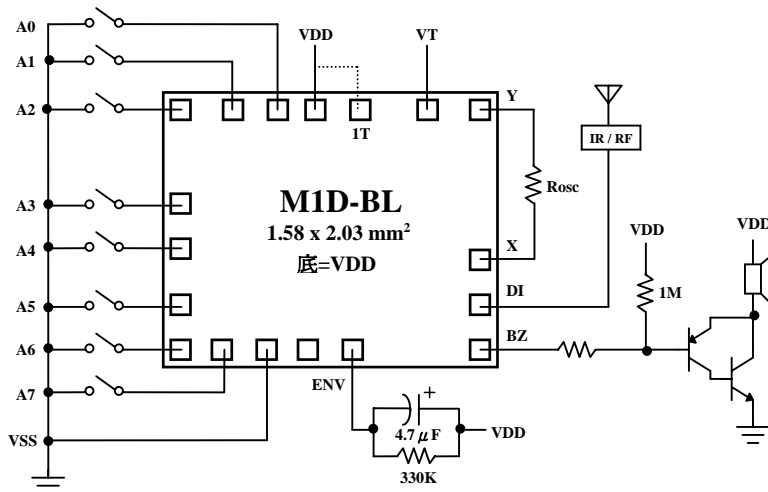
遙控門鈴 IC

APPLICATION DIAGRAM 參考電路圖

* CHIP FORM



D3	SOUND
X	DING DONG
VSS	DING DING



IT	BZ
X	2 TIMES
VDD	1 TIME

* Rosc ~ M1E : 200KΩ ; M1D-BL : 160KΩ

*All specs and applications shown above subject to change without prior notice.

(以上電路及規格僅供參考,本公司得逕行修正)