

SOLID TANTALUM CHIP CAPACITORS

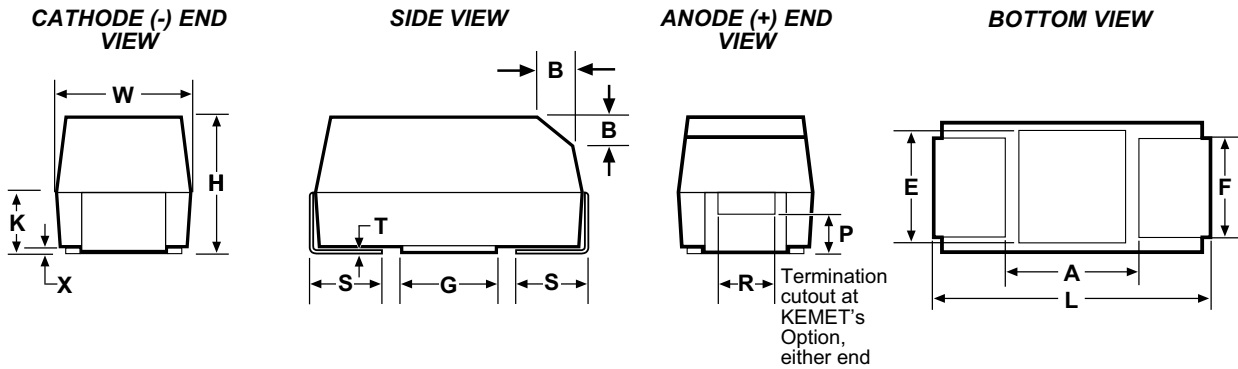
T495 SERIES—Low ESR, Surge Robust



FEATURES

- Designed for very low ESR
- High ripple current capability
- High surge current capability
- 100% accelerated steady-state aging
- 100% Surge Current test
- Meets or Exceeds EIA Standard 535BAAC
- Available tested per DSCC Dwg. 95158
- New Extended Values for Low ESR
- Low Equivalent Series Inductance (<2.5nH ESL)
- Precision-molded, laser-marked case
- Symmetrical, compliant terminations
- Taped and reeled per EIA 481-1
- RoHS Compliant & Leadfree Terminations (see www.kemet.com for lead transition)

OUTLINE DRAWING



STANDARD T495 DIMENSIONS

Millimeters (Inches)

CASE SIZE		COMPONENT													
KEMA	EIA	L	W	H	K ±0.20 ± (.008)	F ±0.1 ± (.004)	S ±0.3 ± (.012)	B ±0.15 (Ref) ± (.006)	X (Ref)	P (Ref)	R (Ref)	T (Ref)	A (Min)	G (Ref)	E (Ref)
B	3528-21	3.5 ± 0.2 (.138 ± .008)	2.8 ± 0.2 (.110 ± .008)	1.9 ± 0.2 (.075 ± .008)	1.1 (.043)	2.2 (.087)	0.8 (.031)	0.4 (.016)	0.10 ± 0.10 (.004 ± .004)	0.5 (.020)	1.0 (.039)	0.13 (.005)	1.1 (.043)	1.8 (.071)	2.2 (.087)
C	6032-28	6.0 ± 0.3 (.236 ± .012)	3.2 ± 0.3 (.126 ± .012)	2.5 ± 0.3 (.098 ± .012)	1.4 (.055)	2.2 (.087)	1.3 (.051)	0.5 (.020)	0.10 ± 0.10 (.004 ± .004)	0.9 (.035)	1.0 (.039)	0.13 (.005)	2.5 (.098)	2.8 (.110)	2.4 (.094)
D	7343-31	7.3 ± 0.3 (.287 ± .012)	4.3 ± 0.3 (.169 ± .012)	2.8 ± 0.3 (.110 ± .012)	1.5 (.059)	2.4 (.094)	1.3 (.051)	0.5 (.020)	0.10 ± 0.10 (.004 ± .004)	0.9 (.035)	1.0 (.039)	0.13 (.005)	3.8 (.150)	3.5 (.138)	3.5 (.138)
X	7343-43	7.3 ± 0.3 (.287 ± .012)	4.3 ± 0.3 (.169 ± .012)	4.0 ± 0.3 (.157 ± .012)	2.3 (.091)	2.4 (.094)	1.3 (.051)	0.5 (.020)	0.10 ± 0.10 (.004 ± .004)	1.7 (.067)	1.0 (.039)	0.13 (.005)	3.8 (.150)	3.5* (.138)	3.5* (.138)

- Notes: 1. Metric dimensions govern.
 2. (Ref) - Dimensions provided for reference only.
 * Round Glue Pad: 2.9 ± 0.1mm (0.114" ± 0.004") in diameter at KEMET's option.

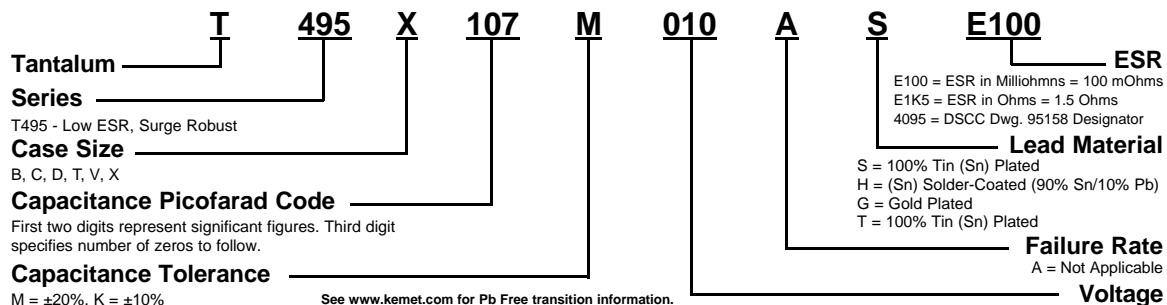
LOW PROFILE T495 DIMENSIONS

Millimeters (Inches)

CASE SIZE		COMPONENT										
KEMET	EIA	L	W	H Max.	K Min.	F ±0.1	S ±0.3	X (Ref)	T (Ref)	A (Min)	G (Ref)	E (Ref)
T	3528-12	3.5 ± 0.2 (.138 ± .008)	2.8 ± 0.2 (.110 ± .008)	1.2 (.047)	0.3 (.012)	2.2 (.087)	0.8 (.031)	0.05 (.002)	0.13 (.005)	1.1 (.043)	1.8 (.071)	2.2 (.087)
V	7343-20	7.3 ± 0.3 (.287 ± .012)	4.3 ± 0.3 (.169 ± .012)	2.0 (0.079)	0.9 (.035)	2.4 (.094)	1.3 (.051)	0.05 (.002)	0.13 (.005)	3.8 (.150)	3.5 (.138)	3.5 (.138)

- Notes: 1. Metric dimensions govern.
 2. (Ref) - Dimensions provided for reference only.
 3. No dimensions provided for B, P or R because low profile cases do not have a bevel or a notch.

ORDERING INFORMATION





SOLID TANTALUM CHIP CAPACITORS

T495 SERIES—Low ESR, Surge Robust

T495 RATINGS & PART NUMBER REFERENCE

Capacitance μ F	Case Size	KEMET Part Number	DSCC Dwg. No. 95158 Part Number	DC Leakage μ A @ 25°C Max	DF% @ 25°C 120 Hz Max	ESR mW @ 25°C 100 kHz Max	Ripple Current mA rms @ 25°C, 100 kHz Max		
							25°C	85°C	125°C
2.5 Volt Rating @ +85°C (1.7 Volt Rating at +125°C)									
100.0	T	T495T107M2R5A(2) E3K0		2.5	24.0	3000	153	137	61
4 Volt Rating @ +85°C (2.7 Volt Rating at +125°C)									
150.0	B	T495B157M004A(2) E900		6.0	12.0	900	307	277	123
330.0	C	T495C337(1)004A(2) E700		13.2	12.0	700	396	357	159
1000.0	X	T495X108(1)004A(2) E070		40.0	12.0	70	1535	1381	614
6/6.3 Volt Rating @ +85°C (4 Volt Rating at +125°C)									
68.0	D	T495D686(1)006A(2)E175		3.3	4.0	175	926	833	370
68.0	D	T495D686(1)006A(2)4095	95158-01(1)(2)	3.3	4.0	175	926	833	370
100.0	C	T495C107(1)006A(2)E150		6.0	8.0	150	856	770	342
100.0	V	T495V107(1)006A(2)E150		6.0	8.0	150	913	822	365
100.0	*B	T495B107M006A(2)E700		6.3	15.0	700	348	313	139
150.0	*C	T495C157M006A(2)E200		9.0	8.0	200	742	668	297
150.0	X	T495X157(1)006A(2)E100		7.2	6.0	100	1285	1156	514
150.0	X	T495X157(1)006A(2)4095	95158-02(1)(2)	7.2	6.0	125	1150	1040	460
220.0	*C	T495C227(1)006A(2)E225		13.9	10.0	225	700	600	300
220.0	D	T495D227(1)006A(2)E100		13.2	8.0	100	1225	1102	490
220.0	D	T495D227(1)006A(2)4095	95158-25(1)(2)	13.2	8.0	100	1225	1102	490
220.0	X	T495X227(1)006A(2)E100		13.2	8.0	100	1285	1156	514
220.0	X	T495X227(1)006A(2)4095	95158-03(1)(2)	13.2	8.0	100	1285	1156	514
330.0	*D	T495D337(1)006A(2)E100		20.8	8.0	100	1225	1102	490
330.0	*X	T495X337(1)006A(2)E100		19.8	8.0	100	1285	1156	514
330.0	*X	T495X337(1)006A(2)E065		19.8	8.0	65	1593	1434	637
470.0	*D	T495D477(1)006A(2)E125		29.6	12.0	125	1095	986	438
470.0	*X	T495X477(1)006A(2)E065		28.2	10.0	65	1593	1434	637
470.0	*X	T495X477(1)006A(2)E050		28.2	10.0	50	1816	1634	726
10 Volt Rating @ +85°C (7 Volt Rating at +125°C)									
22.0	C	T495C226(1)010A(2)E290		2.2	6.0	290	616	554	246
22.0	C	T495C226(1)010A(2)E345		2.2	6.0	345	565	508	226
47.0	D	T495D476(1)010A(2)E080		3.8	4.0	80	1369	1232	548
47.0	D	T495D476(1)010A(2)E090		4.7	6.0	90	1291	1162	516
47.0	D	T495D476(1)010A(2)E200		3.8	4.0	200	866	780	346
47.0	D	T495D476(1)010A(2)4095	95158-04(1)(2)	3.8	4.0	200	866	780	346
68.0	B	T495B686(1)010A(2)E750		1.5	10.0	750	337	303	135
68.0	*B	T495B686M010A(2)E900		6.8	10.0	900	307	276	123
68.0	C	T495C686(1)010A(2)E225		6.8	6.0	225	700	630	280
68.0	V	T495V686(1)010A(2)E140		6.8	6.0	140	945	850	378
68.0	D	T495D686(1)010A(2)E090		6.8	6.0	90	1291	1162	516
68.0	D	T495D686(1)010A(2)E150		6.8	6.0	150	1000	900	400
68.0	X	T495X686(1)010A(2)E150		5.4	4.0	150	1049	944	420
68.0	X	T495X686(1)010A(2)4095	95158-05(1)(2)	5.4	4.0	150	1049	944	420
100.0	V	T495V107(1)010A(2)E150		10.0	8.0	150	913	822	365
100.0	D	T495D107(1)010A(2)E100		10.0	8.0	100	1220	1100	490
100.0	D	T495D107(1)010A(2)4095	95158-06(1)(2)	10.0	8.0	100	1220	1100	490
100.0	*D	T495D107(1)010A(2)E080		10.0	8.0	80	1369	1232	548
100.0	X	T495X107(1)010A(2)E100		8.0	6.0	100	1285	1156	514
100.0	X	T495X107(1)010A(2)4095	95158-07(1)(2)	8.0	6.0	100	1285	1156	514
150.0	*V	T495V157M010A(2)E150		15.0	8.0	150	913	822	365
150.0	D	T495D157(1)010A(2)E100		15.0	8.0	100	1225	1102	490
150.0	D	T495D157(1)010A(2)E080		15.0	8.0	80	1369	1232	548
150.0	D	T495D157(1)010A(2)4095	95158-26(1)(2)	15.0	8.0	100	1225	1102	490
150.0	X	T495X157(1)010A(2)E100		15.0	8.0	100	1285	1156	514
150.0	X	T495X157(1)010A(2)4095	95158-08(1)(2)	15.0	8.0	100	1285	1156	514
150.0	X	T495X157(1)010A(2)E085		15.0	8.0	85	1393	1254	557
220.0	*V	T495V227(1)010A(2)E150		22.0	12.0	150	913	822	365
220.0	D	T495D227(1)010A(2)E075		22.0	8.0	75	1414	1273	566
220.0	D	T495D227(1)010A(2)E100		22.0	8.0	100	1225	1102	490
220.0	D	T495D227(1)010A(2)E125		22.0	8.0	125	1095	986	438
220.0	X	T495X227(1)010A(2)E100		22.0	8.0	100	1285	1156	514
220.0	X	T495X227(1)010A(2)4095	95158-28(1)(2)	15.0	8.0	100	1285	1156	514
220.0	X	T495X227(1)010A(2)E070		22.0	8.0	70	1535	1382	614
330.0	*D	T495D337(1)010A(2)E125		33.0	10.0	125	1095	986	438
330.0	*X	T495X337(1)010A(2)E050		33.0	10.0	50	1817	1635	727
330.0	*X	T495X337(1)010A(2)E060		33.0	10.0	60	1658	1492	663
16 Volt Rating @ +85°C (10 Volt Rating at +125°C)									
10.0	*T	T495T106M016A(2)E4K0		1.6	8.0	4000	132	119	53
33.0	C	T495C336(1)016A(2)E225		5.3	6.0	225	699	629	280
33.0	*C	T495C336(1)016A(2)E275		5.3	6.0	275	632	569	253
33.0	D	T495D336(1)020A(2)E150		6.6	6.0	150	1000	900	400
33.0	D	T495D336(1)016A(2)E175		5.3	6.0	175	926	833	370
33.0	D	T495D336(1)016A(2)E225		4.2	4.0	225	816	735	327
33.0	D	T495D336(1)016A(2)4095	95158-09(1)(2)	4.2	4.0	250	770	700	310
47.0	D	T495D476(1)016A(2)E100		7.5	6.0	100	1225	1102	490
47.0	D	T495D476(1)016A(2)E150		7.5	6.0	150	1000	900	400
47.0	D	T495D476(1)016A(2)4095	95158-10(1)(2)	7.5	6.0	200	870	780	345
68.0	*V	T495V686(1)016A(2)E300		10.9	6.0	300	645	581	258
68.0	D	T495D686(1)016A(2)E150		10.9	6.0	150	1000	900	400
100.0	*D	T495D107(1)016(2)E100		16.0	8.0	100	1225	1102	490
100.0	*D	T495D107(1)016A(2)E125		16.0	8.0	125	1095	986	438
100.0	X	T495X107(1)016A(2)E100		16.0	8.0	100	1285	1156	514
100.0	X	T495X107(1)016A(2)4095	95158-11(1)(2)	16.0	8.0	125	1149	1034	460
100.0	X	T495X107(1)016A(2)E080		16.0	8.0	80	1436	1293	574
150.0	*X	T495X157(1)016A(2)E100		24.0	8.0	100	1285	1156	514

- To complete KEMET Part Number, insert M for $\pm 20\%$ or K for $\pm 10\%$ tolerance.
- To complete KEMET Part Number, insert termination finish as designated on page 31.
*Extended Values**6 Volt product equivalent to 6.3 volt product.

Note: Refer to T495 Ordering Information on page 31 for lead termination options.

Higher voltage ratings, lower ESR and tighter capacitance tolerance product may be substituted within the same size at KEMET's option. Voltage substitutions will be marked with the higher voltage rating.

SOLID TANTALUM CHIP CAPACITORS

T495 SERIES—Low ESR, Surge Robust



T495 RATINGS & PART NUMBER REFERENCE

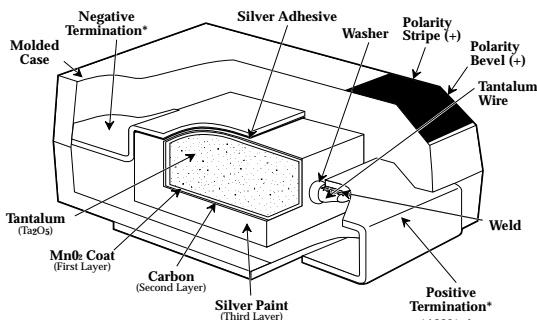
Capacitance μ F	Case Size	KEMET Part Number	DSCC Dwg. No. 95158 Part Number	DC Leakage μ A @ 25°C Max	DF% @ 25°C 120 Hz Max	ESR m Ω @ 25°C 100 kHz Max	Ripple Current mA rms @ 25°C, 100 kHz Max		
							25°C	85°C	125°C
20 Volt Rating @ +85°C (13 Volt Rating at +125°C)									
15.0	D	T495D156(1)020A(2)E275		2.4	4.0	275	738	665	295
15.0	D	T495D156(1)020A(2)4095	95158-12(1)(2)	2.4	4.0	275	738	665	295
22.0	D	T495D226(1)020A(2)E225		3.5	4.0	225	816	735	326
22.0	D	T495D226(1)020A(2)4095	95158-13(1)(2)	3.5	4.0	275	739	665	295
33.0	D	T495D336(1)020A(2)E150		6.6	6.0	150	1000	900	400
33.0	D	T495D336(1)020A(2)E200		6.6	6.0	200	866	780	346
47.0	D	T495D476(1)020A(2)E175		9.4	6.0	175	926	833	370
47.0	X	T495X476(1)020A(2)E100		9.4	6.0	100	1285	1156	514
47.0	X	T495X476(1)020A(2)E125		9.4	6.0	125	1149	1034	460
47.0	X	T495X476(1)020A(2)E150		7.5	4.0	150	1049	944	420
47.0	X	T495X476(1)020A(2)4095	95158-14(1)(2)	7.5	4.0	150	1049	944	420
68.0	*D	T495D686(1)020A(2)E150		13.6	8.0	150	1000	900	400
68.0	X	T495X686(1)020A(2)E120		13.6	6.0	120	1173	1055	469
68.0	X	T495X686(1)020A(2)E150		13.6	6.0	150	1049	944	420
68.0	X	T495X686(1)020A(2)4095	95158-15(1)(2)	13.6	6.0	150	1049	944	420
25 Volt Rating @ +85°C (17 Volt Rating at +125°C)									
6.8	*B	T495B685(1)025A(2)E1K5		1.7	6.0	1500	238	214	95
6.8	C	T495C685(1)025A(2)E490		1.7	6.0	490	474	426	190
6.8	C	T495C685(1)025A(2)E500		1.7	6.0	500	469	422	188
10.0	*C	T495C106(1)025A(2)E450		2.5	6.0	450	494	445	198
15.0	D	T495D156(1)025A(2)E275		3.8	6.0	275	738	665	295
15.0	D	T495D156(1)025A(2)4095	95158-16(1)(2)	3.8	6.0	275	738	665	295
15.0	X	T495X156(1)025A(2)E200		3.0	4.0	200	908	817	363
15.0	X	T495X156(1)025A(2)4095	95158-17(1)(2)	3.0	4.0	200	908	817	363
22.0	*C	T495C226(1)025A(2)E900		5.5	6.0	900	350	315	140
22.0	*D	T495D226(1)025A(2)E200		5.5	6.0	200	866	780	346
22.0	X	T495X226(1)025A(2)E225		4.4	4.0	225	856	771	343
22.0	X	T495X226(1)025A(2)4095	95158-18(1)(2)	4.4	4.0	225	856	771	343
33.0	D	T495D336(1)025A(2)E225		8.3	6.0	225	816	735	327
33.0	*D	T495D336(1)025A(2)E300		8.3	6.0	300	707	636	283
33.0	X	T495X336(1)025A(2)E175		6.6	4.0	175	971	874	388
33.0	X	T495X336(1)025A(2)4095	95158-19(1)(2)	6.6	4.0	175	971	874	388
47.0	*X	T495X476M025A(2)E185		16.5	8.0	185	944	850	378
47.0	*X	T495X476M025A(2)E200		11.8	6.0	200	908	817	363
68.0	*X	T495X686(1)025A(2)E200		17.0	8.0	200	908	817	363
35 Volt Rating @ +85°C (23 Volt Rating at +125°C)									
4.7	C	T495C475(1)035A(2)E500		1.7	6.0	500	469	422	188
4.7	*C	T495C475(1)035A(2)E600		1.7	6.0	600	428	385	171
4.7	*C	T495C475(1)035A(2)4095	95158-29(1)(2)	1.7	6.0	600	428	385	171
6.8	D	T495D685(1)035A(2)E400		2.4	6.0	400	612	551	245
6.8	X	T495X685(1)035A(2)E300		1.9	4.0	300	742	667	297
6.8	X	T495X685(1)035A(2)4095	95158-20(1)(2)	1.9	4.0	300	742	667	297
10.0	D	T495D106(1)035A(2)E300		3.5	6.0	300	707	636	283
10.0	D	T495D106(1)035A(2)4095	95158-27(1)(2)	3.5	4.0	300	707	636	283
10.0	X	T495X106(1)035A(2)E175		3.5	6.0	175	971	874	388
10.0	X	T495X106(1)035A(2)E200		3.5	6.0	200	908	817	363
10.0	X	T495X106(1)035A(2)E250		2.8	4.0	250	812	731	325
10.0	X	T495X106(1)035A(2)4095	95158-21(1)(2)	2.8	4.0	250	812	731	325
15.0	D	T495D156(1)035A(2)E225		5.3	6.0	225	816	735	327
15.0	*D	T495D156(1)035A(2)E300		5.3	6.0	300	707	636	283
15.0	*X	T495X156(1)035A(2)E225		5.3	6.0	225	856	771	343
15.0	*X	T495X156(1)035A(2)4095	95158-22(1)(2)	5.3	6.0	225	856	771	343
22.0	D	T495D226(1)035A(2)E200		7.7	6.0	200	866	779	346
22.0	D	T495D226(1)035A(2)E250		7.7	6.0	250	775	697	310
22.0	*D	T495D226(1)035A(2)E300		7.7	6.0	300	707	636	283
22.0	*X	T495X226(1)035A(2)E275		7.7	6.0	275	775	697	410
22.0	*X	T495X226(1)035A(2)4095	95158-23(1)(2)	7.7	6.0	300	742	667	297
33.0	X	T495X336(1)035A(2)E175		11.6	6.0	175	971	874	388
33.0	*X	T495X336(1)035A(2)E250		11.6	6.0	250	812	731	325
47.0	X	T495X476(1)035A(2)E185		16.5	8.0	185	944	850	378
47.0	X	T495X476(1)035A(2)E200		16.5	8.0	200	908	817	363
47.0	*X	T495X476(1)035A(2)E300		16.5	8.0	300	742	667	297
50 Volt Rating @ +85°C (33 Volt Rating at +125°C)									
4.7	D	T495D475(1)050A(2)E300		2.4	6.0	300	707	636	283
4.7	X	T495X475(1)050A(2)E300		1.9	4.0	300	742	667	297
4.7	X	T495X475(1)050A(2)4095	95158-24(1)(2)	1.9	4.0	300	742	667	297
6.8	D	T495D685(1)050A(2)E275		3.4	6.0	275	739	665	295
6.8	*D	T495D685(1)050A(2)E300		3.4	8.0	300	700	600	300
10.0	*X	T495X106(1)050A(2)E300		5.0	6.0	300	741	667	297
15.0	*X	T495X156(1)050A(2)E300		7.5	8.0	300	742	667	297

- (1) To complete KEMET Part Number, insert M for $\pm 20\%$ or K for $\pm 10\%$ tolerance.
 (2) To complete KEMET Part Number, insert termination finish as designated on page 31.
 *Extended Values**6 Volt product equivalent to 6.3 volt product.

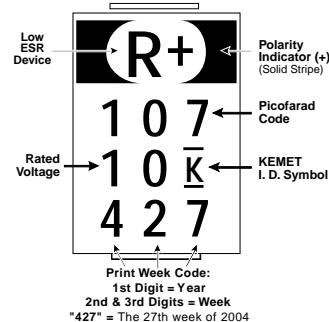
Higher voltage ratings, lower ESR and tighter capacitance tolerance product may be substituted within the same size at KEMET's option. Voltage substitutions will be marked with the higher voltage rating.

Note: Refer to T495 Ordering Information on page 31 for lead termination options.

CONSTRUCTION



CAPACITOR MARKINGS



T495 TANTALUM CHIP CAPACITANCE VALUES Case Size and Max. ESR (mΩ) by Capacitance & Voltage

Capacitance		Rated Voltage @ +85°C								
μF	Code	2.5	4	6	10	16	20	25	35	50
4.7	475								C,500,600 D,400	D,300 X,300
6.8	685							B,1500 C,490,500	D,400 X,300	D,275,300
10.0	106					T,4000		C,450	D,300 X,175,200 X,250	X,300
15.0	156						D,275	D,275 X,200	D,225,300 X,225	X,300
22.0	226				C,290,345		D,225,275	C, 900 D,200 X,225	D,200,250 D300 X,275,300	
33.0	336					C,225,275 D,150,175, D,225,250	D,150,200	D,225,300 X,175	X,175,250	
47.0	476				D,80,90,100, 200	D,100,150, 200	D,175 X,100,125, 150	X,200	X,185,200, 300	
68.0	686			D,175	V,140 B,750,900 C,225 D,90,150 X,150	V,300 D,150	D,150 X,120,150	X,200		
100.0	107	T, 3000		V,150 B,700 C,150	V,150 D, 80,100 X,100	D,100,125 X,80,100, 125				
150.0	157		B,900	C,200 X,100,125	D,80,100 X,85,100 V,150	X,100				
220.0	227			C,225 D,100 X,100	V,150 D,75,100,125 X, 70,100					
330.0	337		C,700	X,65,100 D,100	D,125 X,50,60					
470.0	477			X,50, 65 D,125						
680.0	687									
1000.0	108		X,70							

Note that standard values are preferred, especially where high surge currents are possible. Extended values are available to increase capacitance and reduce ESR. Note that standard CV values demonstrate inherently lower failure rates than extended CV values, especially in low impedance applications.