

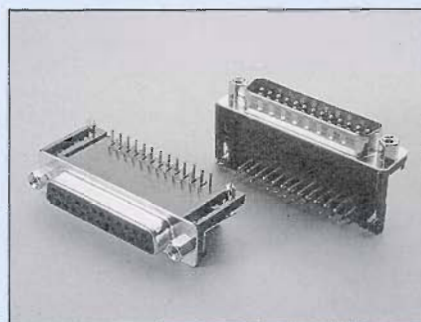
D-Subminiature Connector P.C.B. Right Angle Type (13.84mm)

BRB L Series

MALE

Specifications:

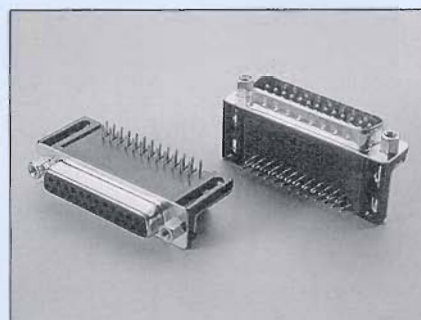
Shell: Steel Nickel plated or Tin plated
 Pin Contact: phosphor bronze Gold plated over nickel
 Insulator: PBT & Glass-fiber reinforced UL-94V-0
 Number Of Contact: 9, 15, 25, 37
 Current Rating: 5 amp.
 Dielectric Strength: 1000V for one minute
 Insulator Resistance: 1000MΩ Min. at 500V DC
 Temperature: -55°C ~ +105°C



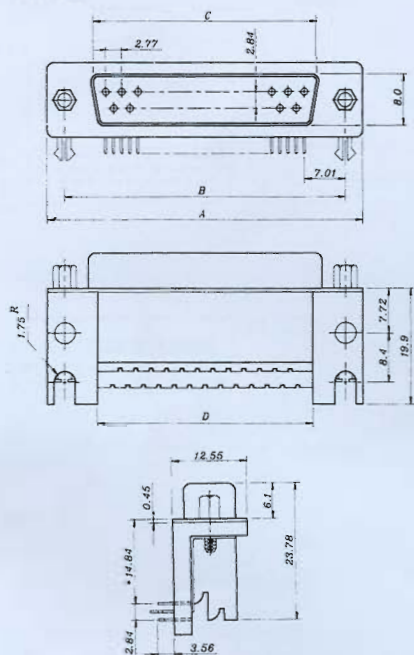
FEMALE

Specifications:

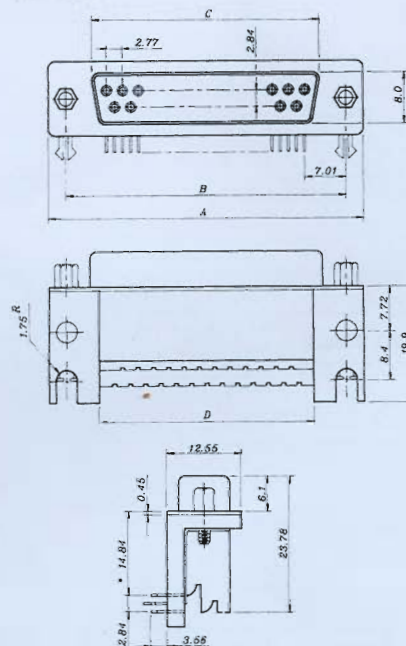
Shell: Steel Nickel Plated or Tin plated
 Socket Contact: Phosphor bronze Gold plated over nickel
 Insulator: PBT & Glass-fiber reinforced UL 94V-0
 Number Of Contact: 9, 15, 25, 37
 Current Rating: 5 amp.
 Dielectric Strength: 1000V for one minute
 Insulator Resistance: 1000MΩ Min. at 5000V DC
 Temperature: -55°C ~ +105°C



MALE



FEMALE



D-PL-(SERIES) DIMENSIONS

Position	A	B	C	D	E
DRB-9PL	30.81	24.99	16.92	15.85	2.77 × 4-11.08
DRB-15PL	39.14	33.32	25.25	24.18	2.77 × 7-19.39
DRB-25PL	53.04	47.04	38.96	37.90	2.77 × 12-33.24
DRB-37PL	69.32	63.5	55.42	54.36	2.77 × 18-49.66

D-SL-(SERIES) DIMENSIONS

Position	A	B	C	D	E
DRB-9SL	30.81	24.99	16.33	15.85	2.77 × 4-11.08
DRB-15SL	39.14	33.32	24.66	24.14	2.77 × 7-19.39
DRB-25SL	53.04	47.04	38.38	37.90	2.77 × 12-33.24
DRB-37SL	69.32	63.5	54.84	54.36	2.77 × 18-49.86