



ROSE+BOPLA
ENCLOSURES

A PHOENIX MECANO COMPANY

CombiSet Enclosures Product Drawings Last Updated 6/11/2008

Rose+Bopla Enclosures
7330 Executive Way
Frederick, MD 21704
301-696-9800
www.rose-bopla.com
rbinfo@pm-usa.com

Dimensional Drawings

For Secondary Services, Product Support, or To Order, Call 1-301-696-9800



TECHNICAL DATA:

- Color: Base, light gray, similar to RAL 7035; rear part, graphite gray, similar to RAL 7024; front door clear. Special colors available on request, minimum quantity applies.
- Material: ABS, clear polycarbonate front door.
- Gasket Material: Neoprene.
- Ingress Protection for version CC500 TK/NGTK: IP65/DIN VDE 0470 NEMA 12,
- Surface Resistance: ABS, $>10^{14}$ Ohm to DIN 53482 Polycarbonate, $>10^{15}$ Ohm to DIN 53482.
- Disruptive Strength: ABS, 17KV/mm to DIN 53481 Polycarbonate 28KV/mm to DIN 53481.
- Flammability: ABS, UL 94 HB/1.6 Polycarbonate, UL 94 V2/1.14
- Temperature Resistance: -40°F to $+194^{\circ}\text{F}$.
- Note: Dimensions are external. Metric is the primary dimension. Inch conversions are for the user's convenience and are for reference only.

Designed with an integral card cage, CombiSet allows for mounting up to three single height VMEbus boards or one modular plug-in power supply unit (maximum 2.4" front panel

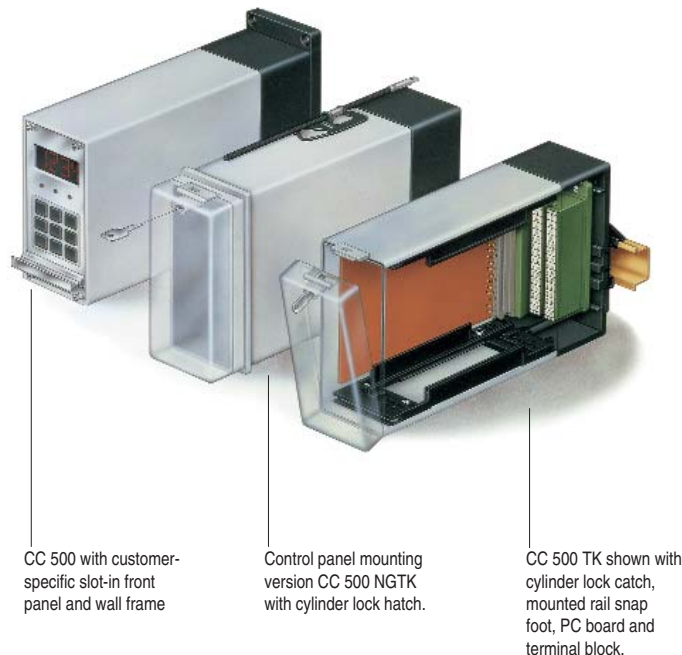
CombiSet

width). Backplanes are offered in DIN 41612 or press-in motherboard varieties. A special 32 contact terminal block is available for DIN 41612.

Also ideal for repackaging 1/8 DIN controllers. Housing is available with or without a clear locking front cover for dust/splash water protection up to NEMA 4X. Rear cover is separately removable. Depending on the model, CombiSet 500 can be panel mounted (72x144mm), wall-mounted, machine-mounted with an angle bracket, or DIN rail mounted (35mm).

Wired PC boards or, if the CC 500 MS is used, plug-in connectors, according to DIN EN 60603-2, can be mounted to the card guide grids in the base. Enclosure is assembled from the front through the base part. On request, enclosure parts can be pre-mounted in such a way that the rear lid can be screwed on from behind.

CombiSet enclosure bodies are molded in ABS plastic in two shades of gray. Clear front doors are polycarbonate. Accessories include: wall frame, card guides, rail snap foot, cylinder lock catch, mounting kit for plug-in connectors, and card securing device.



CC 500 with customer-specific slot-in front panel and wall frame

Control panel mounting version CC 500 NGTK with cylinder lock hatch.

CC 500 TK shown with cylinder lock catch, mounted rail snap foot, PC board and terminal block.

CombiSet System Components

Desktop / Wall / Rail Enclosure						
Model Number	Part Number	Width (Inches/mm)	Depth (Inches/mm)	Height (Inches/mm)	Weight lbs.	Drawing Page #
CC 500	19050000	2.68 / 68	8.86 / 225	5.35 / 136	1.089	17-178

Pre-mounted card guide grids and tapped strips to hold a 12 TE wide cassette. Additional card guides can be snapped in.

Including: Base and rear, upper and lower guide grids, tapped strips, and screws.
Accessories shown on drawing page.



Desktop / Wall / Rail Enclosure with Door						
Model Number	Part Number	Width (Inches/mm)	Depth (Inches/mm)	Height (Inches/mm)	Weight lbs.	Drawing Page #
CC 500 TK	19050101	2.68 / 68	9.96 / 253	5.35 / 136	1.257	17-178

To prevent unauthorized operation, the cylinder lock catch can be fitted instead of the knob.
IP 65 protection rating (DIN VDE 0470).

Including: Base and rear, upper and lower guide grids, clear front door, hinged with knob, tapped strips, screws.
Accessories shown on drawing page.



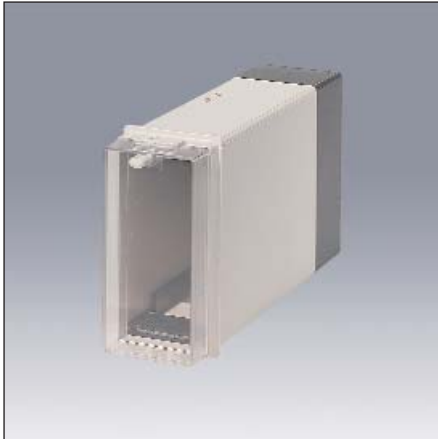
Enclosure for Control Panel Mounting						
Model Number	Part Number	Width (Inches/mm)	Depth (Inches/mm)	Height (Inches/mm)	Weight lbs.	Drawing Page #
CC 500 NG	19050200	2.83 / 72	9.96 / 253	5.67 / 144	1.202	17-179

For control panel mounting DIN 43700. Pre-mounted card guide grids and tapped strips to hold a 12 TE wide cassette. Additional card guides can be snapped in.

Including: Base with molded-on installation frame, rear, upper and lower guide grids, retaining clasps, tapped strips, screws.
Accessories shown on drawing page.



CombiSet System Components



Enclosure with Door for Control Panel Mounting						
Model Number	Part Number	Width (Inches/mm)	Depth (Inches/mm)	Height (Inches/mm)	Weight lbs.	Drawing Page #
CC 500 NGTK	19050301	2.83 / 72	9.96 / 253	5.67 / 144	1.438	17-179

A lead wire for sealing purposes can be introduced through the opening parallel to the knob. IP 65 protection rating (DIN VDE 0470). Ingress protection applies to enclosure, not control panel wall.
Including: Base with molded-on installation frame, rear, upper and lower guide grids, front door, clear, hinged with knob, retaining clasps, tapping strips, screws.
 Accessories shown on drawing page.

CombiSet System Accessories



Cylinder Lock Catch, SHLO-302

Model Number	Part Number	Description	Weight lbs.	Drawing Page #
CC 500 WR	39001000	Wall Frame	.110	17-180
CC 500 TS	39005000	Rail Snap Foot for top hat rail DIN EN 50022-35. This rail snap foot is inserted into the grooves in the rear lid.	.507	17-180
CC 500 MS	39004000	Mounting Kit for DIN EN 60603-2 plug-in connector (previously DIN 41612). This mounting kit can be used to attach DIN EN 60603-2 plug-in connectors to the guide grids.	.031	17-180
SHLO-302	21009310	Cylinder Lock Catch	.037	-
KF 1230	39302000	Card Guide, 10 pieces	.090	17-180
KS 1230	39301000	Card Securing Device, 10 pieces	.007	17-180

Note: Dimensions are external. Metric is the primary dimension. Inch conversions are for the user's convenience and are for reference only.

CC 500

External Dimensions: W68 x H136 x D224.5 mm

Page 5-22, 23

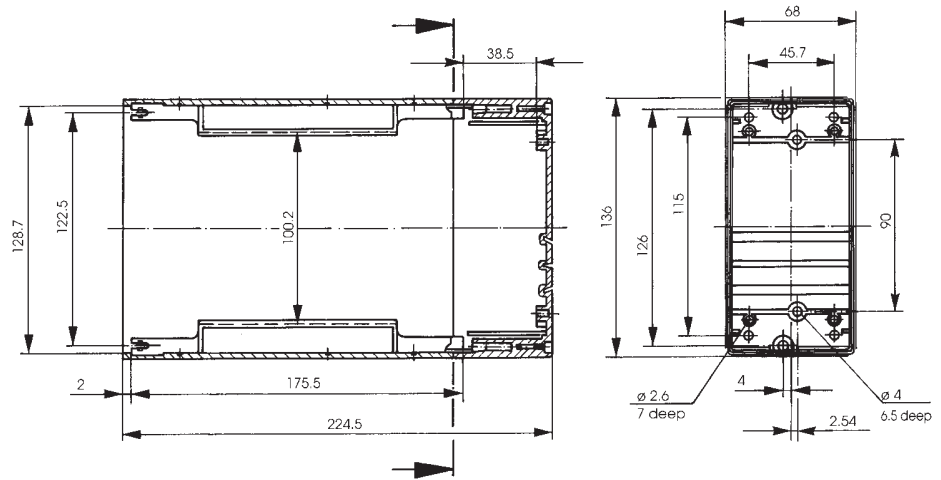
Standard Features

- **CC 500/19050000** Desktop / Wall / Rail enclosure. Pre-mounted card guide grids and tapped strips to hold a12 TE wide cassette. Additional card guides can be snapped in. Includes: base and rear, upper and lower guide grids, tapped strips and screws.

Accessories

- **CC 500 TS/39005000** Rail snap foot for top hat rail DIN EN 50022-35.
- **CC500 WR/39001000** Wall frame.
- **CC 500 MS/39004000** Mounting kit for DIN EN 60603-2 plug-in connector.
- **KF 1230/39302000** Card guides (pack of 10).
- **KS 1230/39301000** Card securing devices (pack of 10).
- **SHLO-302/21008310** Cylinder latch catch.

Desktop / Wall / Rail Enclosure



CC 500 TK

External Dimensions: W68 x H136 x D252.5 mm

Page 5-22, 23

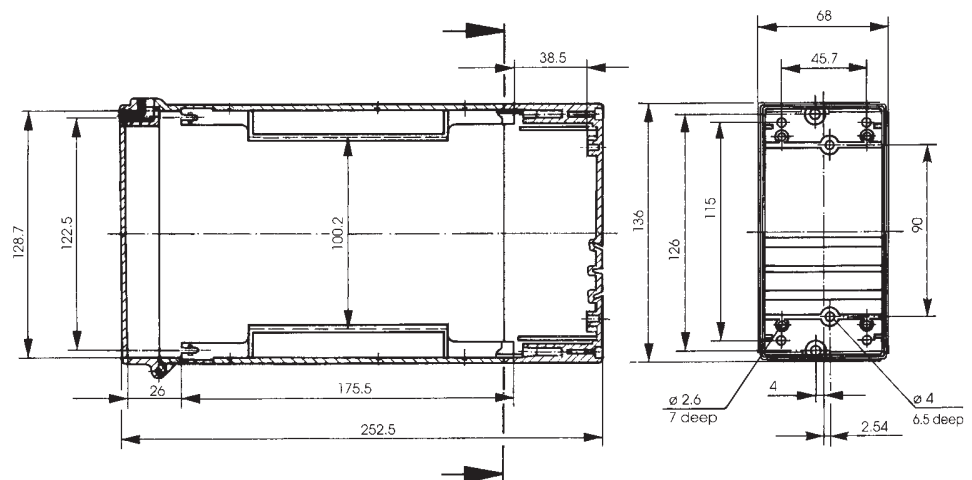
Standard Features

- **CC 500 TK/19050101** Desktop / Wall / Rail enclosure with door. Includes: base and rear, upper and lower guide grids, clear hinged front door with knob, tapped strips and screws. IP 65 protection. To prevent unauthorized operation, the cylinder lock catch can be fitted instead of the knob.

Accessories

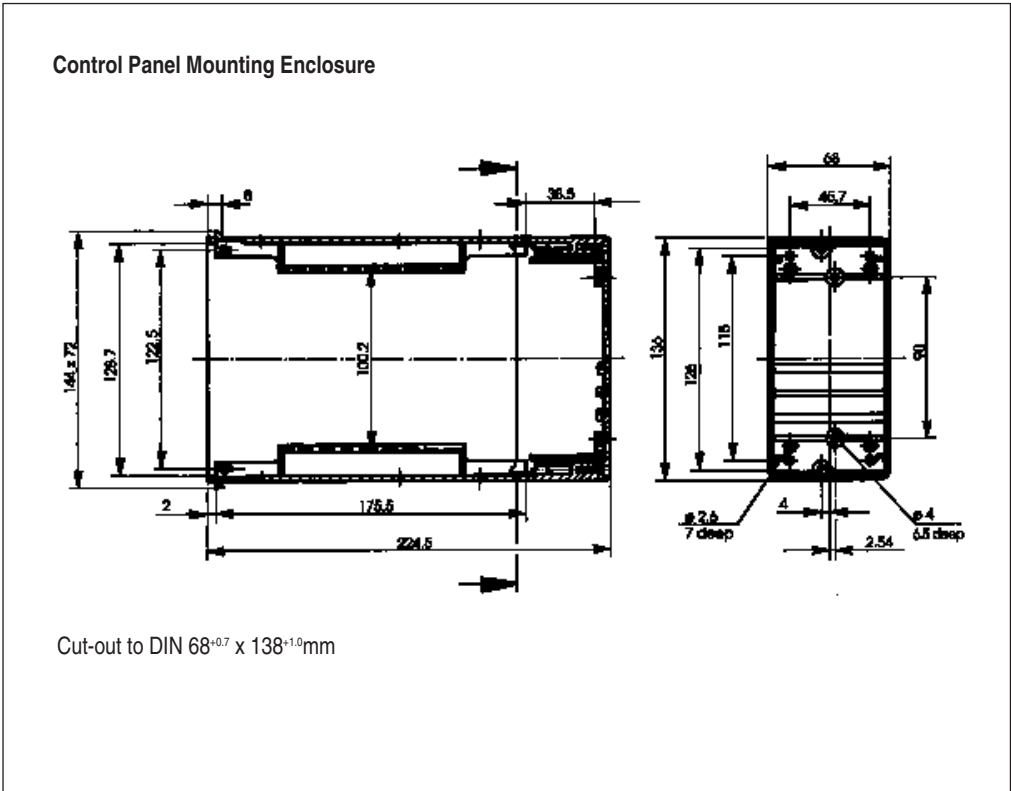
- **CC 500 TS/39005000** Rail snap foot for top hat rail DIN EN 50022-35.
- **CC500 WR/39001000** Wall frame.
- **CC 500 MS/39004000** Mounting kit for DIN EN 60603-2 plug-in connector.
- **KF 1230/39302000** Card guides (pack of 10).
- **KS 1230/39301000** Card securing devices (pack of 10).
- **SHLO-302/21008310** Cylinder latch catch.

Desktop / Wall / Rail Enclosure with Door



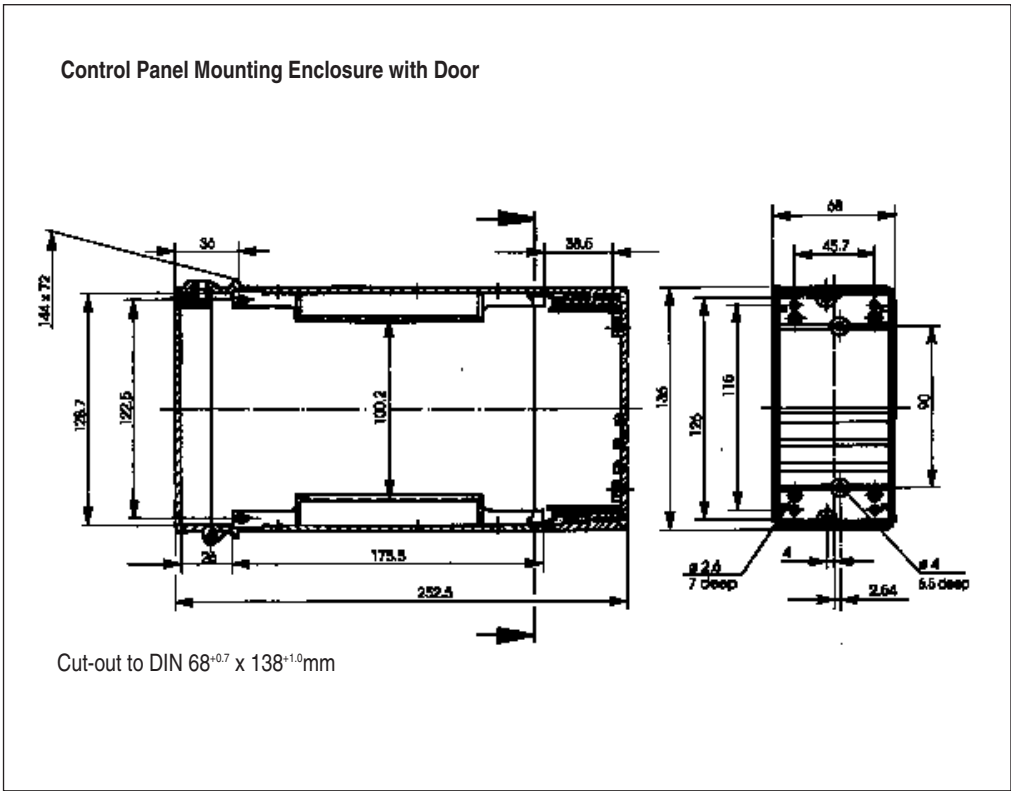
CC 500 NG External Dimensions: W72 x H144 x D224.5 mm Page 5-22, 23

Standard Features
<ul style="list-style-type: none"> • CC 500 NG/19050200 Control panel mounting enclosure, according to DIN 43700. Pre-mounted card guide grids and tapped strips to hold a 12 TE wide cassette. Additional card guides can be snapped in. Includes: base with molded-on installation frame, rear, upper and lower guide grids, retaining clasps, tapped strips and screws.
Accessories
<ul style="list-style-type: none"> • CC 500 TS/390050000 Rail snap foot for top hat rail DIN EN 50022-35. • CC500 WR/39001000 Wall frame. • CC 500 MS/39004000 Mounting kit for DIN EN 60603-2 plug-in connector. • KF 1230/39302000 Card guides (pack of 10). • KS 1230/39301000 Card securing devices (pack of 10). • SHLO-302/21008310 Cylinder latch catch.



CC 500 NGTK External Dimensions: W72 x H144 x D252.5 mm Page 5-22, 24

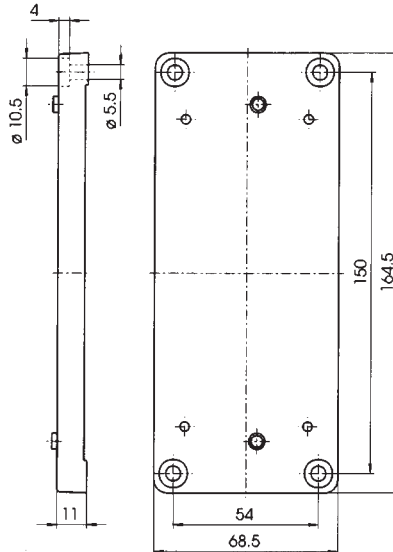
Standard Features
<ul style="list-style-type: none"> • CC 500 NGTK/19050301 Control panel mounting enclosure with clear door. Includes: base with molded-on installation frame, rear, upper and lower guide grids, clear hinged front door with knob, retaining clasps, tapped strips and screws. A lead wire for sealing purposes can be introduced through the opening parallel to the knob.
Accessories
<ul style="list-style-type: none"> • CC 500 TS/390050000 Rail snap foot for top hat rail DIN EN 50022-35. • CC 500 WR/39001000 Wall frame. • CC 500 MS/39004000 Mounting kit for DIN EN 60603-2 plug-in connectors. • KF 1230/39302000 Card guides (pack of 10). • KS 1230/39301000 Card securing devices (pack of 10). • SHLO-302/21008310 Cylinder latch catch.



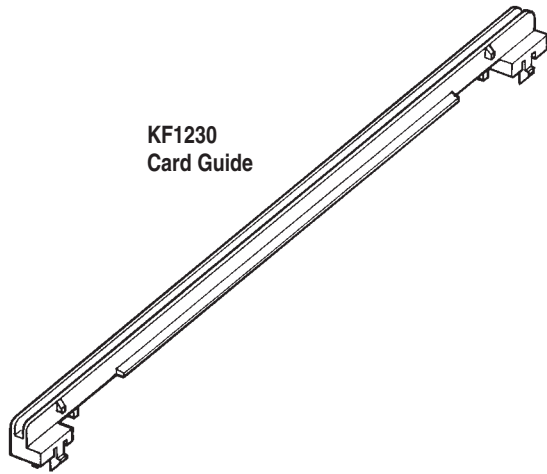
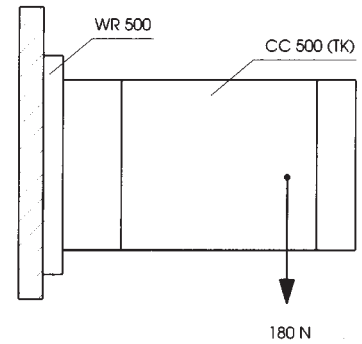
Dimensional Drawings

Accessories

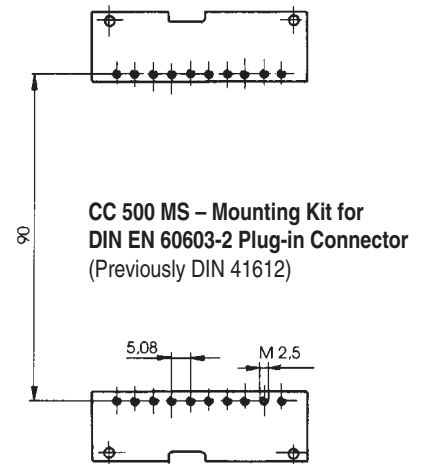
- CC 500 WR/39001000 Wall Frame.
- CC 500 TS/39005000 Rail foot for top hat rail DIN EN 50022-35. The rail snap foot is inserted into the grooves in the rear lid.
- CC 500 MS/39004000 Mounting kit used to fasten DIN EN 60603-2 plug-in connectors to guide grids.
- SHLO-302/21008310 Cylinder lock catch.
- KF 1230/39302000 Card guide (10 pieces).
- KS 1230/39301000 Card securing device (10 pieces).



Wall Frame
CC500 WR

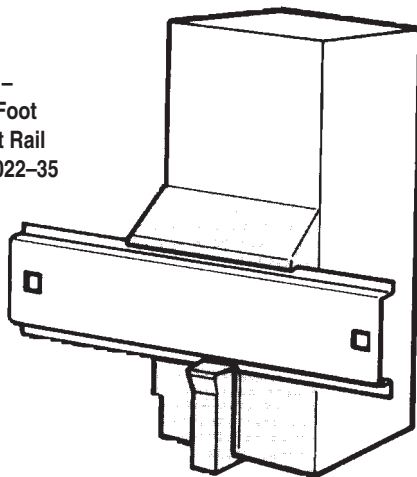


KF1230
Card Guide



CC 500 MS - Mounting Kit for
DIN EN 60603-2 Plug-in Connector
(Previously DIN 41612)

CC 500 TS -
Rail Snap Foot
for Top Hat Rail
DIN EN 50022-35



KS 1230
Card Securing Device

