



SWR25X Series Single Row Wafer 2.54 mm [.100"] Contact Centers, Straight/Right Angle

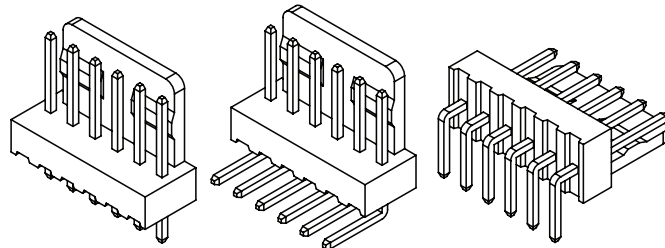
SPECIFICATIONS

- Insulator Material: Nylon, UL 94V-2, Color: Beige
- Contact Material: Brass
- Contact Resistance: 20 milli Ohms Max
- Contact Plating: .000020" Min. Nickel Underplate, Pure Tin, Bright Overall
- Current Rating: 3 Amps
- Dielectric Withstanding Voltage: 1000 VAC
- Insulator Resistance: 1000 Megohms Minimum
- Operating Temperature: -25°C to +85°C
- Voltage Rating: 250 VAC/DC
- Mates with SWH25X Series Single Row Housing

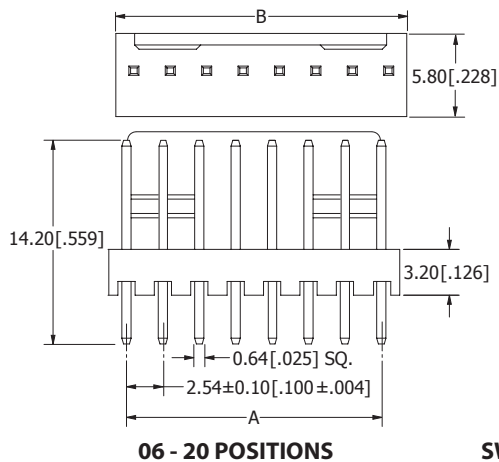
(ST) STRAIGHT

(RA) TYPE 2

(RB) TYPE 1

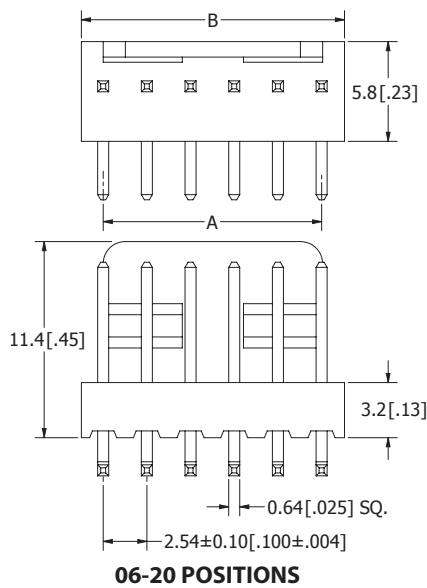


DIMENSIONS Dimensions in [] are in inches, all others are in millimeters.

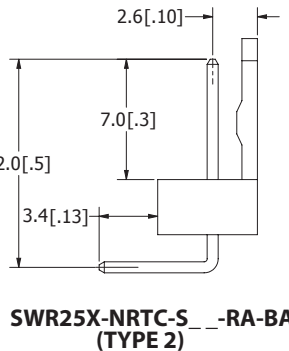


06 - 20 POSITIONS

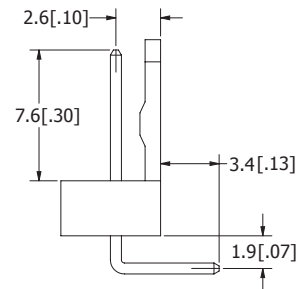
SWR25X-NRTC-S__ST-BA



06-20 POSITIONS



SWR25X-NRTC-S__RA-BA (TYPE 2)



SWR25X-NRTC-S__RB-BA (TYPE 1)



PART NUMBER OPTIONS

SWR25X-NRTC-S16-ST-BA

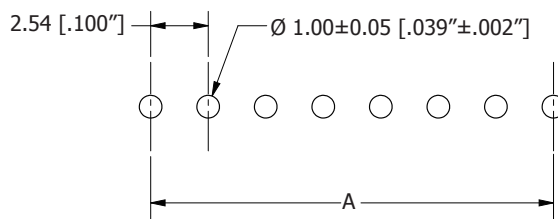
NUMBER OF POSITIONS

02 thru 20
See Chart Below

TERMINATION TYPE

ST = Straight
RA = Right Angle (Type 2)
RB = Right Angle (Type 1)

PCB LAYOUT



P.C. BOARD THICKNESS: 1.60 [.063"]

| PART NUMBER | POSITIONS/ CONTACTS | A | | B | |
|-----------------------|------------------------|-------|-------|-------|-------|
| | | mm | in | mm | in |
| SWR25X-NRTC-S02-__-BA | 02/02 | 2.54 | 0.100 | 5.12 | 0.202 |
| SWR25X-NRTC-S03-__-BA | 03/03 | 5.08 | 0.200 | 7.66 | 0.302 |
| SWR25X-NRTC-S04-__-BA | 04/04 | 7.62 | 0.300 | 10.20 | 0.402 |
| SWR25X-NRTC-S05-__-BA | 05/05 | 10.16 | 0.400 | 12.74 | 0.502 |
| SWR25X-NRTC-S06-__-BA | 06/06 | 12.70 | 0.500 | 15.30 | 0.602 |
| SWR25X-NRTC-S07-__-BA | 07/07 | 15.24 | 0.600 | 17.94 | 0.706 |
| SWR25X-NRTC-S08-__-BA | 08/08 | 17.78 | 0.700 | 20.48 | 0.806 |
| SWR25X-NRTC-S09-__-BA | 09/09 | 20.32 | 0.800 | 23.02 | 0.906 |
| SWR25X-NRTC-S10-__-BA | 10/10 | 22.86 | 0.900 | 25.58 | 1.007 |
| SWR25X-NRTC-S11-__-BA | 11/11 | 25.40 | 1.000 | 28.12 | 1.107 |
| SWR25X-NRTC-S12-__-BA | 12/12 | 27.94 | 1.100 | 30.68 | 1.208 |
| SWR25X-NRTC-S13-__-BA | 13/13 | 30.48 | 1.200 | 33.10 | 1.303 |
| SWR25X-NRTC-S14-__-BA | 14/14 | 33.02 | 1.300 | 35.80 | 1.409 |
| SWR25X-NRTC-S15-__-BA | 15/15 | 35.56 | 1.400 | 38.34 | 1.509 |
| SWR25X-NRTC-S16-__-BA | 16/16 | 38.10 | 1.500 | 40.94 | 1.612 |
| SWR25X-NRTC-S17-__-BA | 17/17 | 40.64 | 1.600 | 43.30 | 1.705 |
| SWR25X-NRTC-S18-__-BA | 18/18 | 43.18 | 1.700 | 45.90 | 1.807 |
| SWR25X-NRTC-S19-__-BA | 19/19 | 45.72 | 1.800 | 48.56 | 1.912 |
| SWR25X-NRTC-S20-__-BA | 20/20 | 48.26 | 1.900 | 50.80 | 2.000 |