

Technical Data

Material (block)

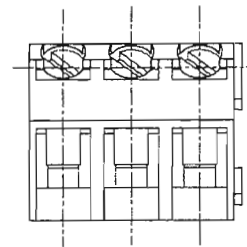
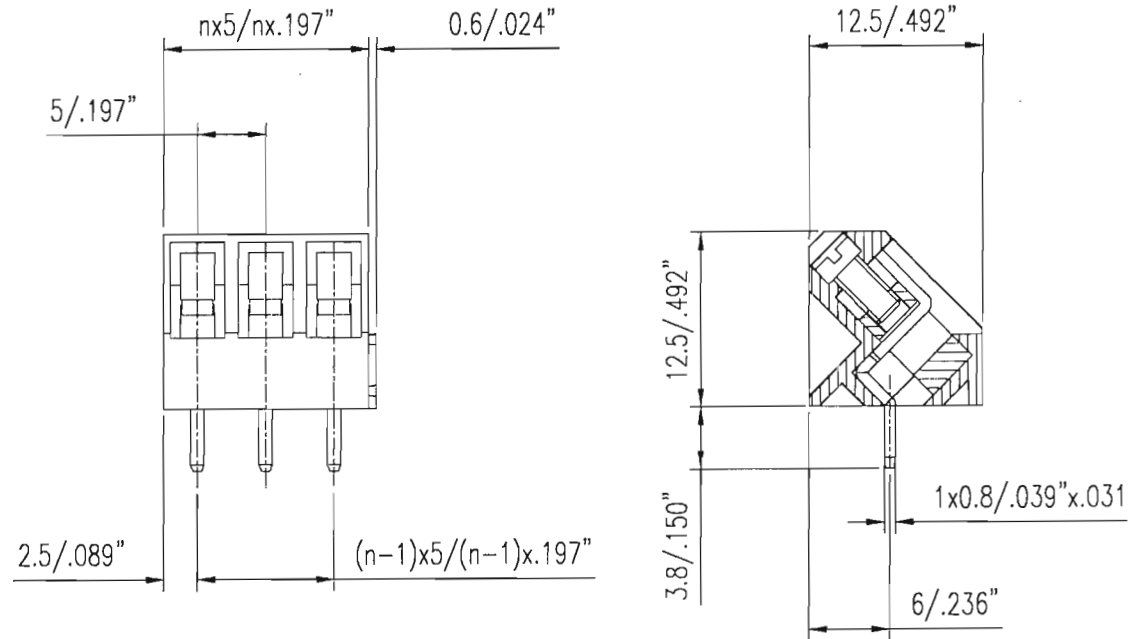
- Contact: Brass (Cu Zn)
- (metal housing): Cu/Ni, tin plated
- Terminal screw: Steel galvanized and chromated
- Wire guard: Cu Sn 6
- Surface of solder tail: Tin plated
- Insulator body (housing): Poly butylene Terephthlene-PBT(30% Glass Filled) (UL 94 V-0)

Electrical

- Current rating: 16 Amp
- Resistance to tracking: 5M Ohm
- Dielectric Strength: 2500V
- Insulation Withstands Voltage: AC 1500V/Min 250V
- Rated Voltage: 250V
- Rated cross section: 1.5mm²
- Rated cross range: 0.5-1.5mm²
- AWG: 22-14

Mechanical

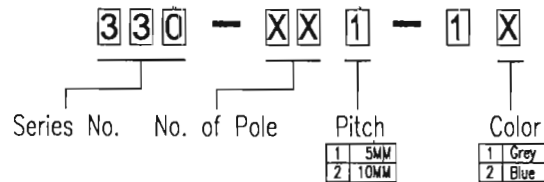
- Operating temperatures: -30°C to +120°C
- Short time peak temperature: +200°C max



****Notice:**
To avoid accumulated tolerance-variations of Terminal-Blocks to PC - Board spacing limit the number of contacts to not more than 24 contacts per row

Recommended PC-Board-Holes diameter: $\phi 1.2\text{mm}$ to $\phi 1.4\text{mm}$
n = number of contacts

HOW TO ORDER



KARSON TECHNOLOGY LIMITED

TITLE: Type 330 Connector

Unit 12,11/F., Vanta Industrial Centre, 21-33 Tai Lin Pai Road, Kwai Chung, N.T., Hong Kong.
Tel : (852) 2421 0833 Fax : (852) 2421 9951 www.karson-tech.com.hk

PART NO. 330-XX1-1X
DWG. NO. KB1298-0

DATE 19 SEP 98

SCALE: NTS

UNIT: MM

DRAWING BY B.H.