

# SPECIFICATION

## 1. SCOPE

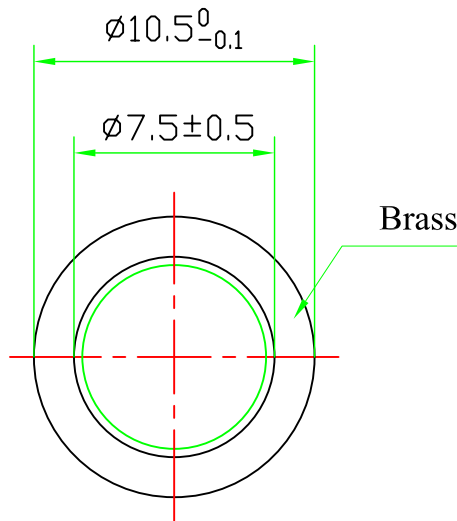
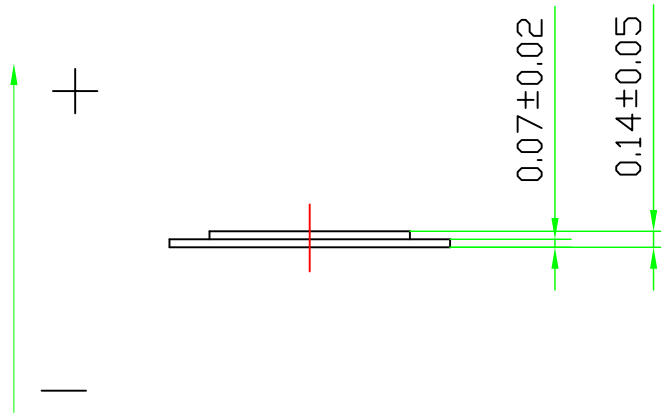
This specification is applied to the piezo-element.

## 2. SPECIFICATION

(at 25°C)

2.1 Resonant Frequency	:	8.5 ± 0.5 KHz
2.2 Resonant Resistace	:	500 Ω max
2.3 Capacitance	:	9000 pF ± 30% at 100 Hz
2.4 Input Voltage	:	30 Vp-p max
2.5 Operating Temperature	:	-20 ~ +50 °C
2.6 Storage Temperature	:	-20 ~ +60 °C
3. DIMENSION	:	as per figure

Direction of polarization

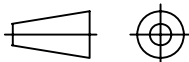


TOLERANCES UNLESS NOTED OTHERWISE

.X ±  
.XX ±  
.XXX ±

90° FORMED +2°  
ANGLES -1°

FIRST ANGLE PROJECTION



DRAWN	
DESIGN	
CHECKED	
APPROVED	
DATE	08.05.05
CONTRACT NO.	
AGENCY APPROVAL	

KEPO MODEL NO.

MFT-10.5T-9.0A1

DWG NO.

KP3.842.800.01

**KEPO CO., LTD.**

CUSTOMER

CUSTOMER NO.

VER	1.0	SCALE	
UNIT	mm	SHEET	

TEL: (+86) 574-88370330  
FAX: (+86) 574-88370329