



MODEL NO: 12-21SURC/S530-A4/TR8

Device Number : DSE-121-049 REV. 1.0

**Chip LEDs with Right Angle Lens**

ECN : \_\_\_\_\_ Page: 1/8

**Features :**

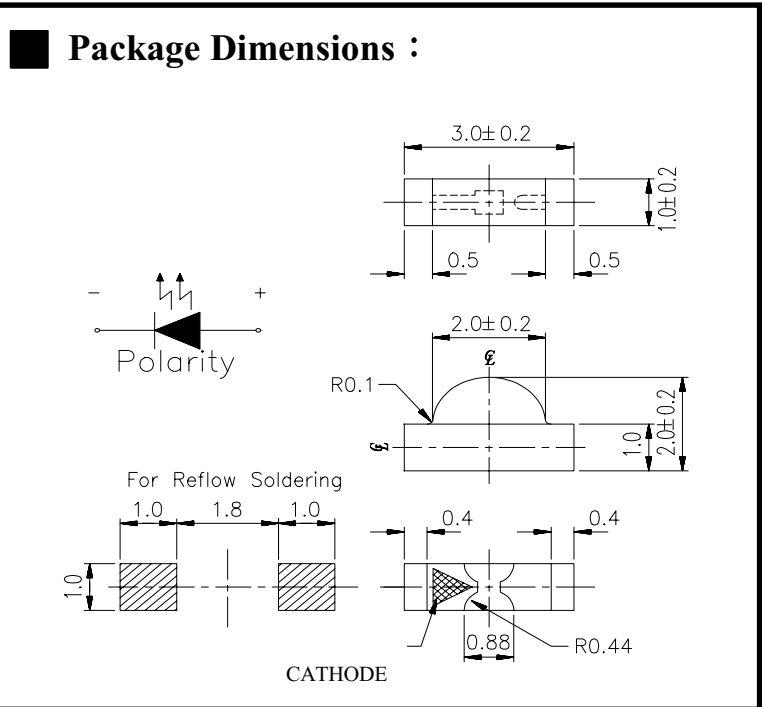
- Package in 8mm tape on 7 " diameter reel.
- Compatible with automatic placement equipment.
- Compatible with infrared and vapor phase reflow solder process.
- Mono-color type.

**Descriptions :**

- The 12-21 SMD Taping is much smaller than lead frame type components, thus enable smaller board size, higher packing density, reduced storage space and finally smaller equipment to be obtained.
- Besides, lightweight makes them ideal for miniature applications, etc.

**Applications :**

- Automotive: backlighting in dashboard and switch.
- Telecommunication: indicator and backlighting in telephone and fax.
- Flat backlight for LCD, switch and symbol.
- General use.



**Notes :**

Tolerances Unless Dimension  $\pm 0.1\text{mm}$   
 Angle  $\pm 0.5^\circ$   
 Unit = mm

| PART NO                | Chip     |               | Lens Color  |
|------------------------|----------|---------------|-------------|
|                        | Material | Emitted Color |             |
| 12-21 SURC/S530-A4/TR8 | AlGaInP  | Hyper Red     | Water Clear |

Office: NO. 25, Lane 76, Sec.3, Chung Yang Rd., Tucheng 236, Taipei, Taiwan, R.O.C.

TEL: 886-2-2267-2000, 2267-9936

FAX: 886-2-2267-6244, 2267-6189, 2267-6306

<http://www.everlight.com>



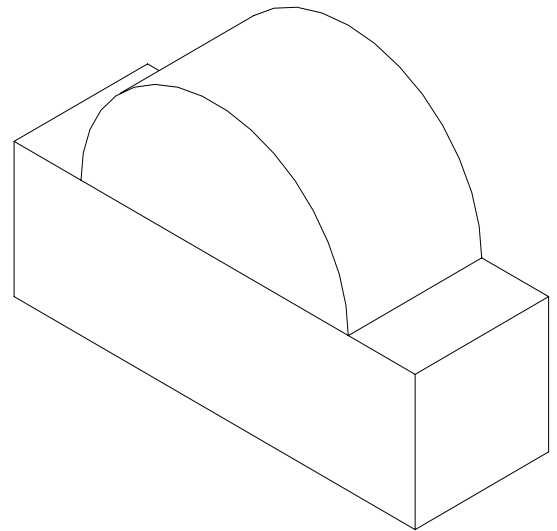
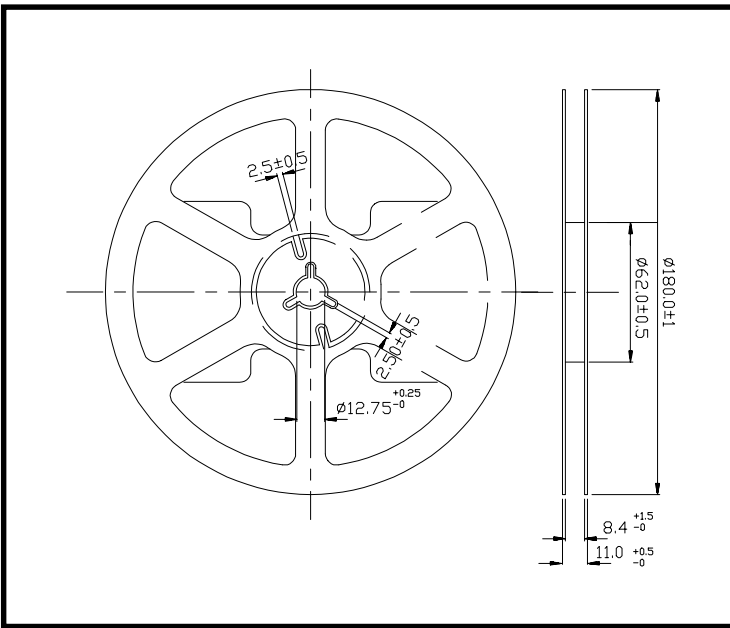
MODEL NO: 12-21SURC/S530-A4/TR8

Device Number : DSE-121-049 REV. 1.0

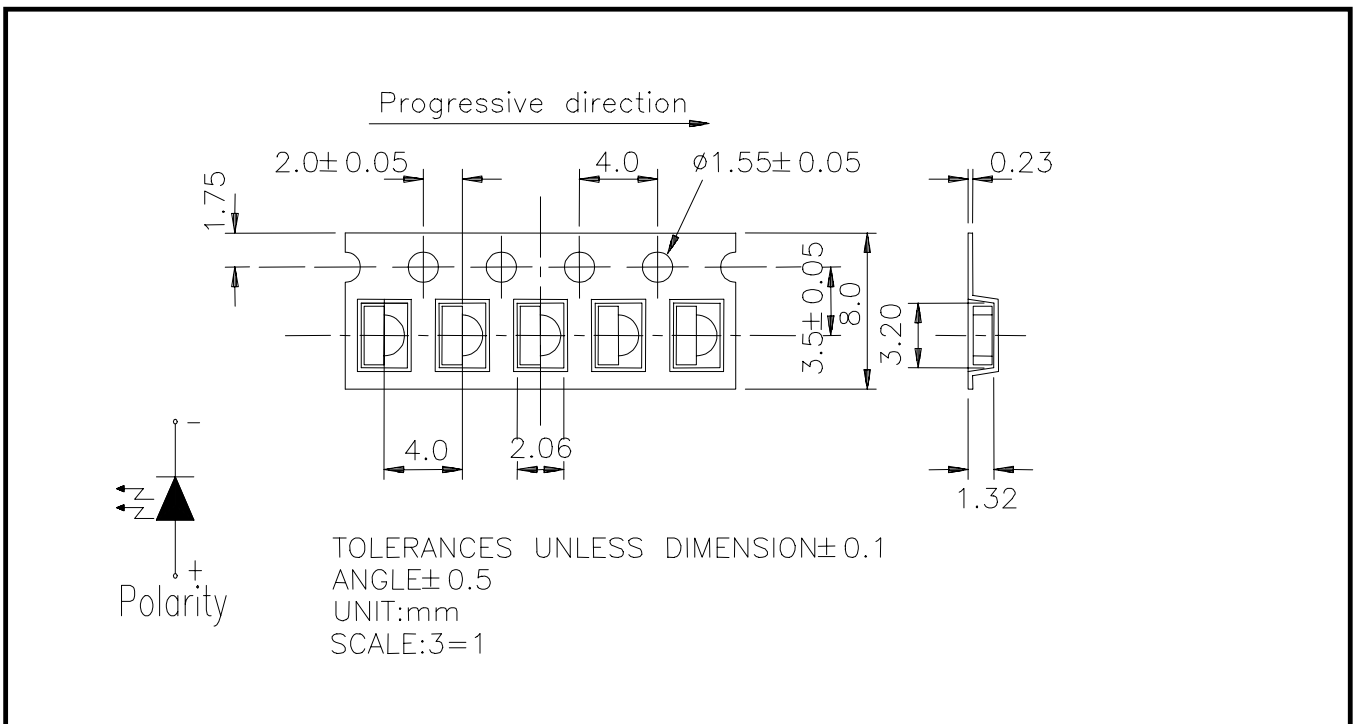
*Chip LEDs with Right Angle Lens*

ECN : ..... Page: 2/8

■ Package Dimensions :



■ Loaded quantity per reel 2000 pcs/reel :





MODEL NO: 12-21SURC/S530-A4/TR8

Device Number : DSE-121-049 REV. 1.0

**Chip LEDs with Right Angle Lens**

ECN : \_\_\_\_\_ Page: 3/8

■ **Absolute Maximum Ratings at Ta = 25°C**

| Parameter                              | Symbol   | Rating             | Unit |
|--|----------|--------------------|------|
| Reverse Voltage                        | Vr       | 5                  | V    |
| Forward Current                        | If       | 25                 | mA   |
| Operating Temperature                  | Topr     | -40 ~ +85          | °C   |
| Storage Temperature                    | Tstg     | -40 ~ +90          | °C   |
| Soldering Temperature                  | Tsol     | 260 (for 5 second) | °C   |
| Electrostatic Discharge                | ESD      | 2000               | V    |
| Power Dissipation                      | Pd       | 60                 | mW   |
| Peak Forward Current(Duty 1/10 @ 1KHZ) | If(Peak) | 160                | mA   |

■ **Electronic Optical Characteristics :**

| Parameter                    | Symbol | Min.  | Typ.  | Max.  | Unit | Condition |
|------------------------------|--------|-------|-------|-------|------|-----------|
| Luminous Intensity           | Iv     | ----- | 6     | ----- | mcd  | If=2mA    |
|                              |        | 62    | 92    | ----- | mcd  | If=20mA   |
| Viewing Angle                | 2θ 1/2 | ----- | 120   | ----- | deg  | If=20mA   |
| Peak Wavelength              | λp     | ----- | 632   | ----- | nm   | If=20mA   |
| Dominant Wavelength          | λd     | ----- | 624   | ----- | nm   | If=20mA   |
| Spectrum Radiation Bandwidth | Δλ     | ----- | 20    | ----- | nm   | If=20mA   |
| Forward Voltage              | Vf     | ----- | 2.0   | 2.4   | V    | If=20mA   |
| Reverse Current              | Ir     | ----- | ----- | 10    | μA   | Vr=5V     |



MODEL NO: 12-21SURC/S530-A4/TR8

Device Number : DSE-121-049 REV. 1.0

*Chip LEDs with Right Angle Lens*

ECN : ..... Page: 4/8

■ Reliability Test Items And Conditions:

| NO | Item                                | Test Conditions                               | Test Hours/Cycle | Sample Size | Ac/Re |
|----|-------------------------------------|---|------------------|-------------|-------|
| 1  | Solder Heat                         | TEMP : 260°C ± 5 °C                           | 5 SEC            | 76 PCS      | 0/1   |
| 2  | Temperature Cycle                   | H : +85°C 30min<br>∫ 5 min<br>L : -55°C 30min | 50 CYCLE         | 76 PCS      | 0/1   |
| 3  | Thermal Shock                       | H : +100°C 5min<br>∫ 10 sec<br>L : -10°C 5min | 50 CYCLE         | 76 PCS      | 0/1   |
| 4  | High Temperature Storage            | TEMP : 100°C                                  | 1000 HRS         | 76 PCS      | 0/1   |
| 5  | Low Temperature Storage             | TEMP : -55°C                                  | 1000 HRS         | 76 PCS      | 0/1   |
| 6  | DC Operating Life                   | If = 20 mA                                    | 1000 HRS         | 76 PCS      | 0/1   |
| 7  | High Temperature /<br>High Humidity | 85°C/85% RH                                   | 1000 HRS         | 76 PCS      | 0/1   |



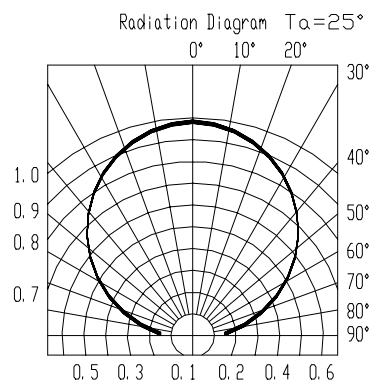
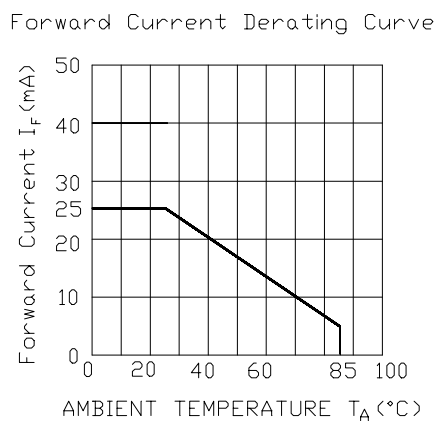
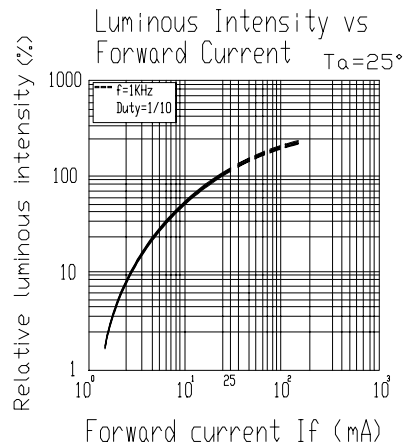
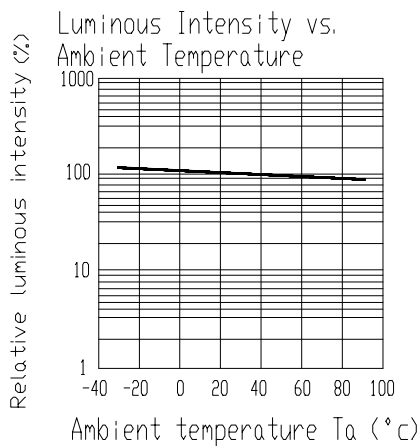
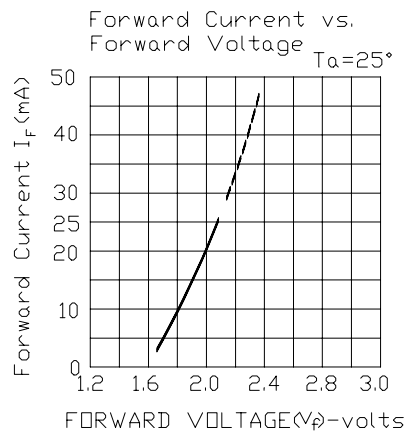
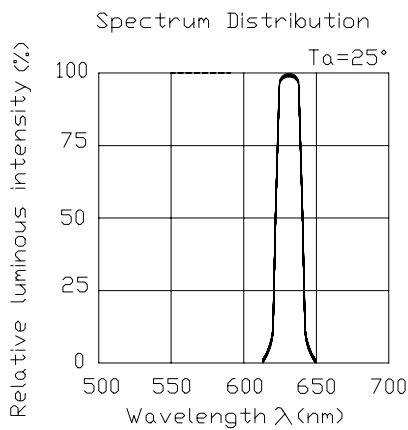
MODEL NO: 12-21SURC/S530-A4/TR8

Device Number : DSE-121-049 REV. 1.0

*Chip LEDs with Right Angle Lens*

ECN : \_\_\_\_\_ Page: 5/8

### Typical Electro-Optical Characteristic Curves



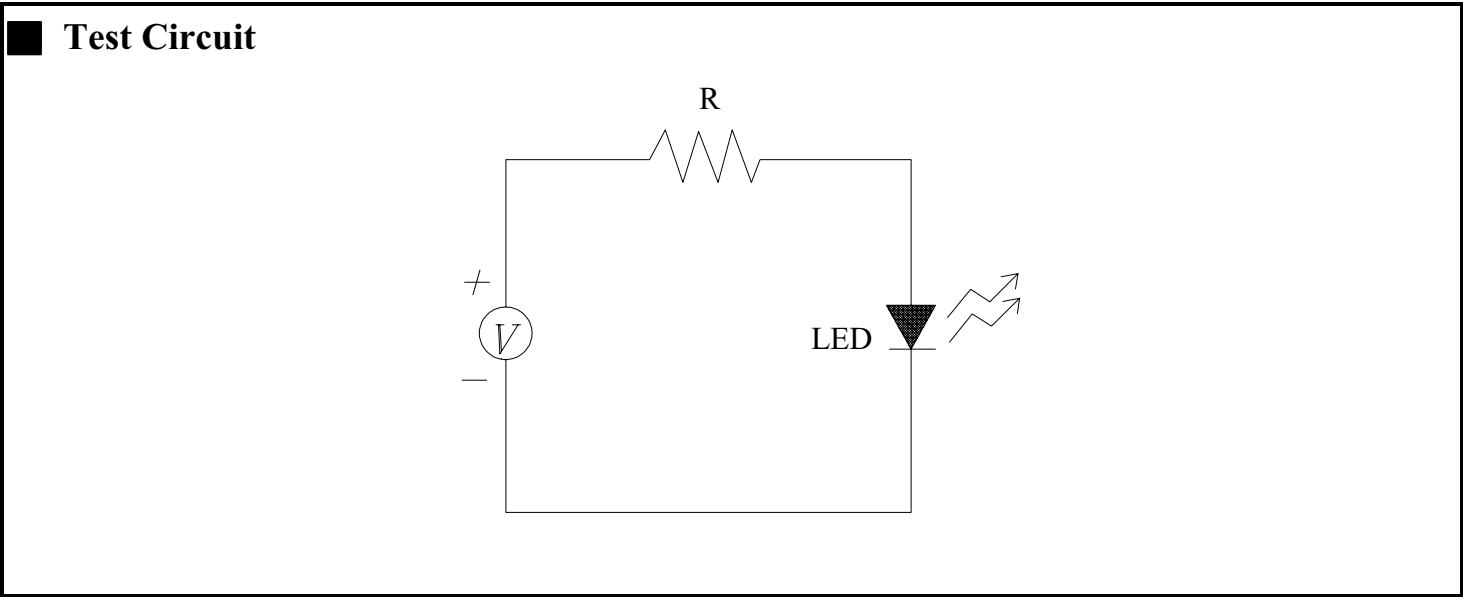


MODEL NO: 12-21SURC/S530-A4/TR8

Device Number : DSE-121-049 REV. 1.0

*Chip LEDs with Right Angle Lens*

ECN : ..... Page: 6/8



- **Precautions For Use**
1. Over-current-proof  
Customer must apply resistors for protection , otherwise slight voltage shift will cause big current change ( Burn out will happen ).
  2. Storage time
    - 2.1 The operation of temperature and R.H. are :  $5^{\circ}\text{C}\sim 35^{\circ}\text{C}$  , R.H.60%.
    - 2.2 Once the package is opened, the products should be used within a week. Otherwise, they should be keeping in a damp proof box with desiccating agent. Considering the tape life , we suggest our customers to use our products within a year(from production date).
    - 2.3 If opened more than one week in an atmosphere  $5^{\circ}\text{C}\sim 35^{\circ}\text{C}$  , R.H.60%, they should be treated at  $60^{\circ}\text{C} \pm 5^{\circ}\text{C}$  for 15hrs.
    - 2.4 When you discover that the desiccant in the package has a pink color (Normal = blue) , you should treat them in the same conditions as 2.3.



MODEL NO: 12-21SURC/S530-A4/TR8

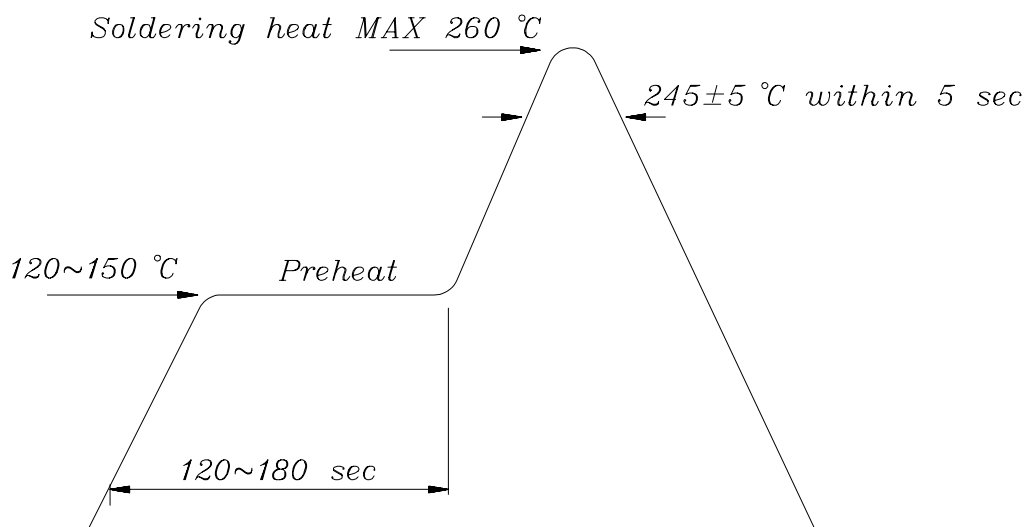
Device Number : DSE-121-049 REV. 1.0

**Chip LEDs with Right Angle Lens**

ECN : ..... Page: 7/8

■ **Soldering heat reliability ( DIP )**

Please refer to the following figure :

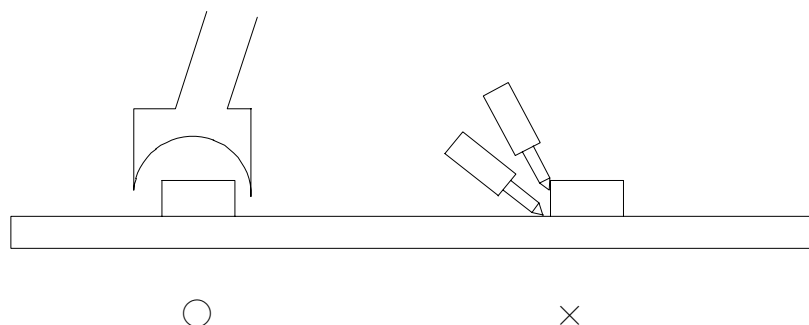


■ **Soldering Iron**

Basic spec is  $\leq 5$  sec when 260°C .If temperature is higher, time should be shorter (+10°C → -1sec). Power dissipation of iron should be smaller than 15 W , and temperature should be controllable. Surface temperature of the device should be under 230 °C .

■ **Rework**

1. Customer must finish rework within 5 sec under 260°C .
2. The head of iron can not touch copper foil.
3. Twin-head type is preferred.





MODEL NO: 12-21SURC/S530-A4/TR8

Device Number : DSE-121-049 REV. 1.0

*Chip LEDs with Right Angle Lens*

ECN : ..... Page: 8/8

■ Reflow Temp / Time :

