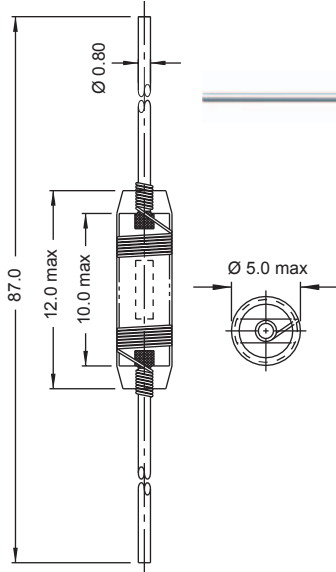
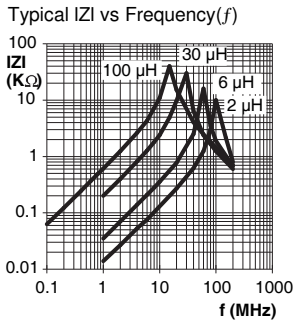


MISC



Part No	Inductance L (μH)	f _L (kHz)	Tol ± (%)	DCR (mΩ)	Rated DC Current (A)
MISC-1R0X-YY	1	1000	10,20	18	4
MISC-2R0X-YY	2	1000	10,20	54	3
MISC-3R0X-YY	3	1000	10,20	93	2
MISC-6R0X-YY	6	1000	10,20	228	1.5
MISC-140X-YY	14	100	10,20	912	0.7
MISC-300X-YY	30	100	10,20	3240	0.4
MISC-400X-YY	40	100	10,20	4290	0.3
MISC-101X-YY	100	100	10,20	22800	0.15

Material : Iron Dust SPQ :

	Packing Form	Reel	Loose / Box
	Axial	1500 [-01]	1000 [-00]

Remark : Available also without insulating material (MISC/B)