

.100" × .100" (2.54mm × 2.54mm) Transition Plug Connectors

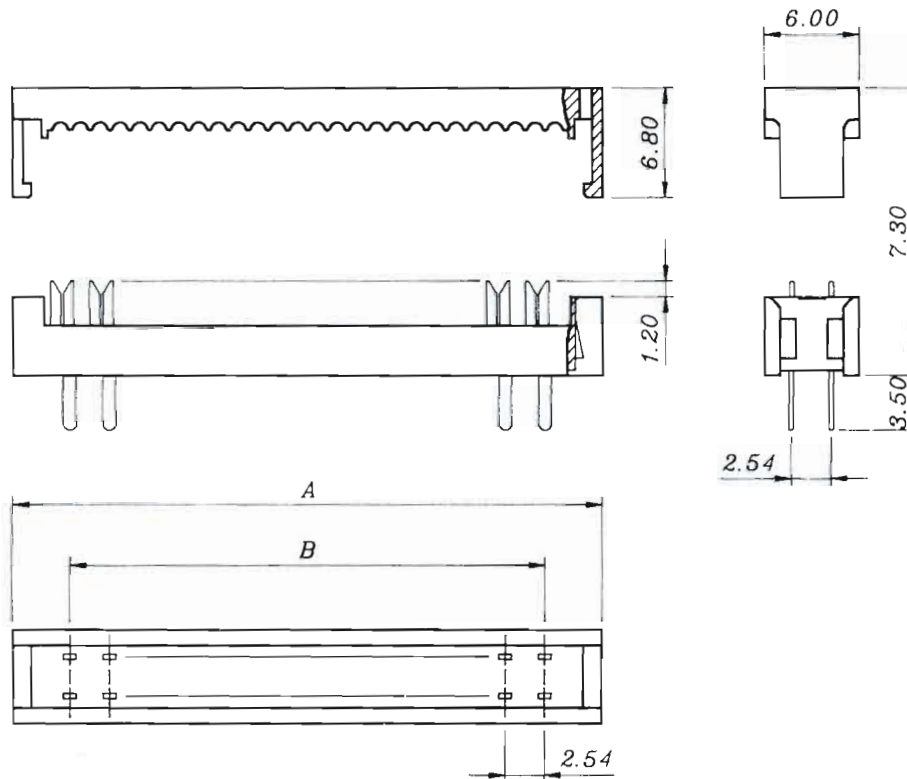
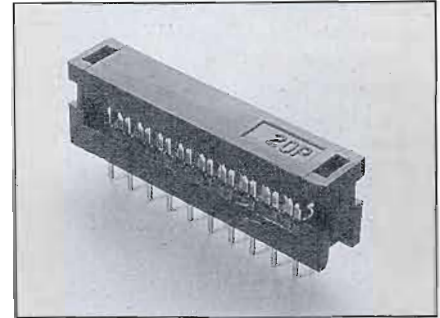
PCT Series

Features:

- 10-60 Circuits
- PBT + 30% Glass Fiber (UL 94V-0)
- Ideal for high density stacking on the P.C. Board
- Designed to fit into standard 0.10" × 0.10" (2.54mm × 2.54mm) grid pattern
- Provision of ease and permanent termination of flat cable to PCB
- Ribbed base aids cable positioning
- Grooved cable positioning
- Choice of plating options

Specifications:

- Current rating: 3A AC DC
- Voltage rating: 250V AC Maximum
- Temperature range: -40°C ~ + 105°C
- Contact resistance: Initial Value/10mΩ/max
After environmental testing/15mΩ max.
- Insulation resistance: 1,000 MΩ min
- Withstand Voltage: 500V AC/minute
- Applicable wires: AWG #28, 7 strands 0.050" (1.27mm) pitch flat cable
- Applicable PC board thickness: .063" (1.6mm)



Dimensional Information PCT Series

Circuits	Dim.A ± .008 0.20	Dim.B ± .008 0.20	Circuits	Dim.A ± .010 0.25	Dim.B ± .010 0.25	Circuits	Dim.A ± .008 0.20	Dim.B ± .008 0.20	Circuits	Dim.A ± .010 0.25	Dim.B ± .010 0.25
PCT-10	.400 10.16	.699 17.76	PCT-20	.900 22.86	1.199 30.46	PCT-34	1.600 40.64	1.899 48.24	PCT-50	2.400 60.96	2.699 68.56
PCT-14	.600 15.24	.899 22.84	PCT-26	1.200 30.48	1.499 38.08	PCT-40	1.900 48.26	2.199 55.86	PCT-60	2.900 73.66	3.199 81.26
PCT-16	.700 17.78	.999 25.38	PCT-30	1.399 35.58	1.699 43.18						