

Mini Size .098" (2.50mm) Center Wafer Assembly

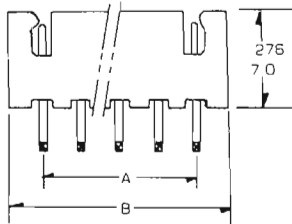
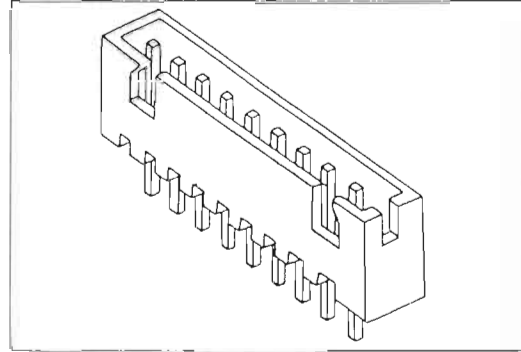
WS Series

Features:

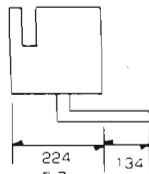
- 2-20 Circuits
- Nylon (UL 94V-0)
- Friction lock
- .025" (0.064mm) right angle or straight square wire pins

Specifications:

- Current rating: 3A AC, DC
- Voltage rating: 250V AC, Maximum
- Temperature range: -25°C ~ + 90°C
- Contact resistance: Initial Value/10mΩ max.
After environmental testing/20mΩ max.
- Insulation resistance: 1,000 MΩ min
- Withstand Voltage: 1500V AC/minute
- Applicable PC board thickness: .063" (1.6mm)



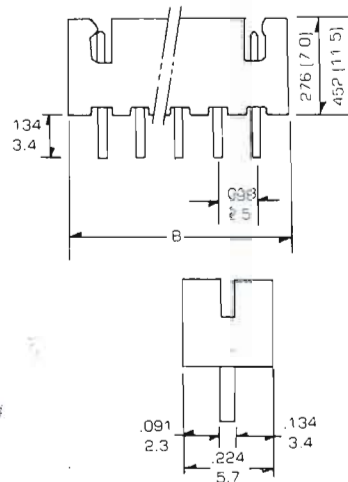
Right Angle pins



SB = .002
(.050 ± 0.05)
Note: Assumed

○.047 ± .002 Die Holes
(1.19 ± 0.05)

Recommended P.C. Board
Hole Dimensions



Straight pins

inches
mm

Dimensional Information WS Series

Circuits	Dim. A	Dim. B	Circuits	Dim. A	Dim. B	Circuits	Dim. A	Dim. B	Circuits	Dim. A	Dim. B
WS-2 _S R	0.96 2.5	.281 7.4	WS-7 _S R	.591 15.0	.783 19.9	WS-12 _S R	1.083 27.5	1.276 32.4	WS-17 _S R	1.574 40.0	1.767 44.9
WS-3 _S R	1.37 3.0	.390 9.9	WS-8 _S R	.669 17.5	.862 22.4	WS-13 _S R	1.151 30.05	1.374 34.9	WS-18 _S R	1.673 42.5	1.866 47.4
WS-4 _S R	1.75 7.5	.488 12.4	WS-9 _S R	.787 20.0	.980 24.9	WS-14 _S R	1.287 32.5	1.472 37.4	WS-19 _S R	1.771 45.0	1.964 49.9
WS-5 _S R	1.94 10.0	.587 14.9	WS-10 _S R	.886 22.5	1.079 27.4	WS-15 _S R	1.378 35.0	1.571 39.9	WS-20 _S R	1.870 47.5	2.063 52.4
WS-6 _S R	2.32 12.5	.685 17.4	WS-11 _S R	.984 25.0	1.177 29.9	WS-16 _S R	1.476 37.5	1.669 42.4			