



LEDTECH ELECTRONICS CORP.

: NANYA ROAD,MUGANG ZHAOQING
: CITY GUANGDONG CHINA.

: TEL:86-758-2875541,2870651,2877464,2876185,2877017

: FAX:86-758-2878014

: [Http://www.ledtech.com.tw](http://www.ledtech.com.tw)

SPECIFICATION

PART NO. : LT1822-81-UR96

5.0MM ROUND LED LAMP

Approved by	Checked by	Prepared by
<i>San</i>	<i>Jang</i>	<i>Bao Min</i>



5.0MM ROUND LED LAMP
PART NO. : LT1822-81-UR96

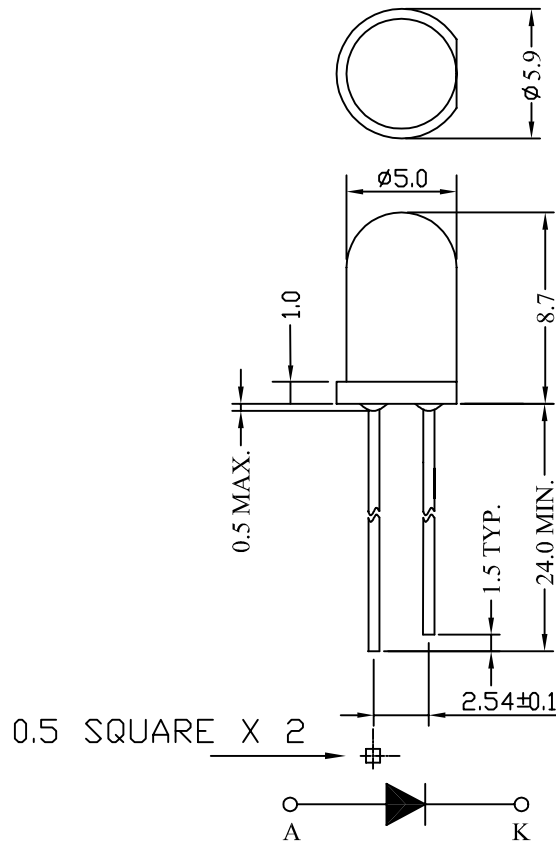
Features

- * High intensity
- * Reliable and rugged
- * Low current requirement
- * IC compatible

Description

The Yellow green lamp are made with AlGaInP/GaAs chip and white diffused epoxy resin.

Package Dimensions



Notes:

1. All dimensions are in millimeters.
2. Tolerance is ± 0.25 mm unless otherwise noted.

Part No.	Led Chip		Lens Color
	Material	Emitting Color	
LT1822-81-UR96	AlGaInP/GaAs	Yellow green	White diffused



5.0MM ROUND LED LAMP
PART NO. : LT1822-81-UR96

Absolute Maximum Ratings at Ta=25°C :

Parameter	Symbol	Rating	Unit
Power Dissipation	Pd	72	mW
Reverse Voltage	Vr	4	V
D.C. Forward Current	If	30	mA
Peak Current (1/10 Duty Cycle , 0.1 ms Pulse Width)	If(Peak)	100	mA
Operating Temperature Range	Topr	-25 to +85	°C
Storage Temperature Range	Tstg	-40 to +100	°C
Lead Soldering Temp.(1.6mm from body) for 5 seconds		260	°C

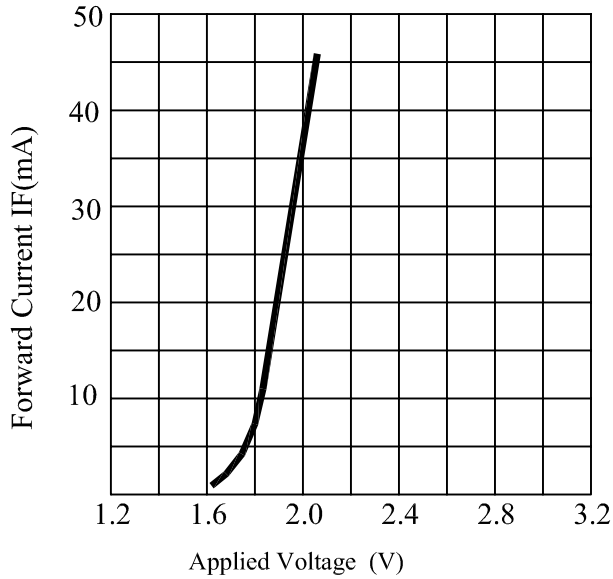
Electrical and Optical Characteristics :

Parameter	Symbol	Condition	Min.	Typ.	Max.	Unit
Luminous Intensity	Iv	If=20mA	80	130		mcd
Forward Voltage	Vf	If=20mA		1.9	2.4	V
Peak Wavelength	λP	If=20mA		573		nm
Dominant Wavelength	λD	If=20mA		570		nm
Reverse Current	Ir	Vr=4V			100	μA
Viewing Angle	$2\theta 1/2$	If=20mA		40		deg
Spectrum Line Halfwidth	$\Delta \lambda$	If=20mA		20		nm

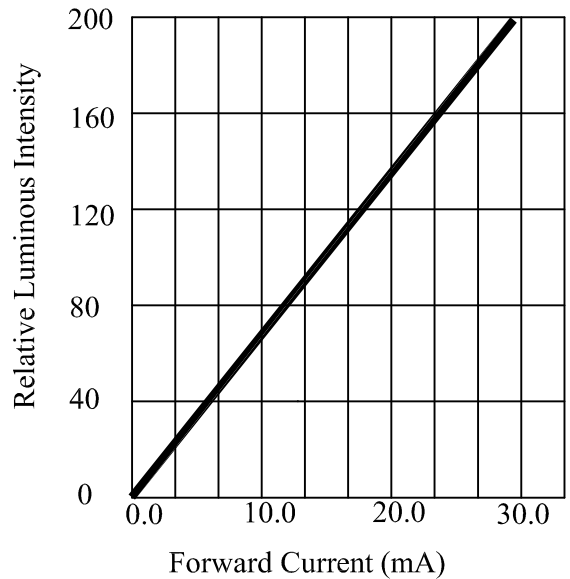


**5.0MM ROUND LED LAMP
PART NO. : LT1822-81-UR96**

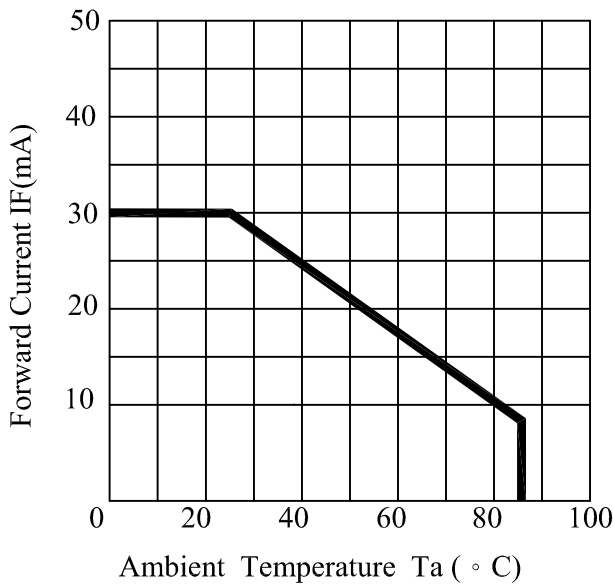
Typical Electrical / Optical Characteristics Curves :



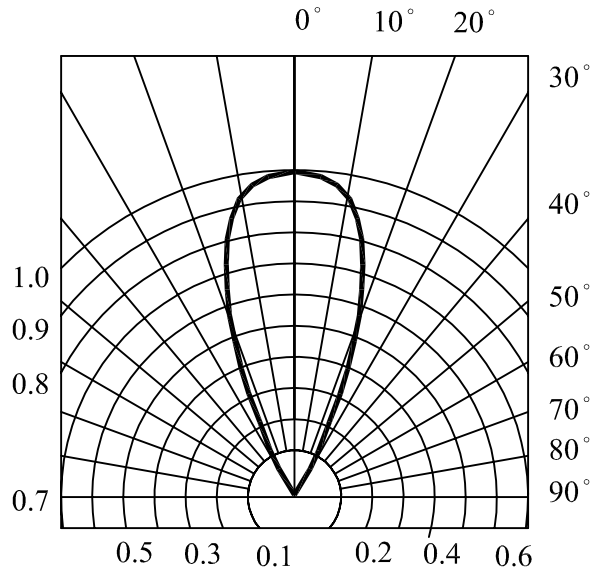
FORWARD CURRENT VS.APPLIED VOLTAGE



FORWARD CURRENT VS. LUMINOUS INTENSITY



AMBIENT TEMPERATURE VS. FORWARD CURRENT



RADIATION DIAGRAM



**5.0MM ROUND LED LAMP
PART NO. : LT1822-81-UR96**

Reliability Test Method :

Test Item	Test Condition	Duration Time
Operation Life	If=20mA / Ta=25°C	168hrs
Storage at High Temperature	Ta=100°C	168hrs
Storage at Low Temperature	Ta=-40°C	168hrs
Storage at High Temperature/High Humidity	Ta=85°C /RH=85%	168hrs
Operating at High Temperature	Ta=85°C / If=20mA	168hrs
Operating at Low Temperature	Ta=25°C / If=20mA	168hrs
Thermal Shock	Ta/T=100°C/30min~ -40°C/30min	10 cycles
Solderability	Tsol=230°C	5 sec

Criteria for Judging The Damage:

Item	Symbol	Test Condition	Criteria for Judgment	
			Min.	Max.
Forward Voltage	Vf	If=20mA	-----	Initial Data x1.1
Reverse Current	Ir	Vr=4V	-----	100 μA
Luminous Intensity	Iv	If=20mA	Initial Data x0.8	-----

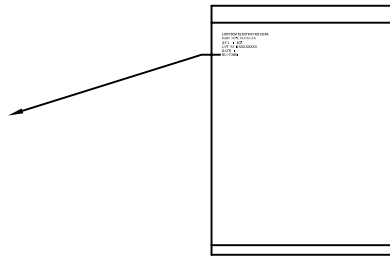


5.0MM ROUND LED LAMP PART NO. : LT1822-81-UR96

ENCASED TYPE

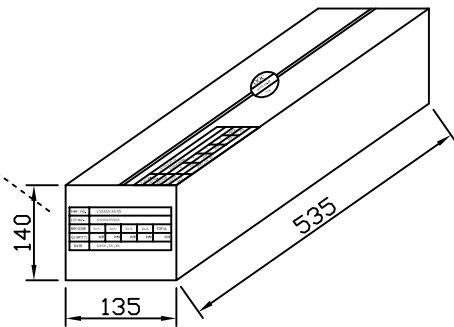
PLASTIC PACKAGE
QUANTITY: 1,000 PCS

LEDTECH ELECTRONICS CORP.					
PART NO :LTXXXX-XX					
Q'TY	:	PCS			
LOT NO	:	XXXXXXXXXX			
DATE	:				
BIN CODE:					



INNER BOX
QUANTITY: 10 PACKETS
TOTAL: 10,000 PCS

PART NO.	LXXXXX-XX-XX				
LOT NO.	XXXXXXXXXX				
BIN CODE	Xx X	Xx X	Xx X	Xx X	TOTAL
QUANTITY	PCS	PCS	PCS	PCS	PCS
DATE	XXXX, XX, XX				



OUTER CARTON
QUANTITY: 4 BOX
TOTAL: 40,000 PCS

C/T NO. 箱號	XX
PART NO. 料號	LXXXXX-XX-XX
QUANTITY 數量	PCS
N.W. 淨重	KGS
G.W. 毛重	KGS
REMARK 備註	

