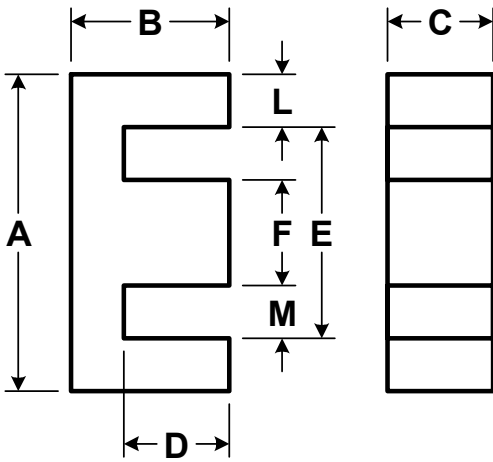




00K1808E060

110 Delta Drive
 Pittsburgh, PA 15238
 Phone: 412/696-1333
 Fax: 412/696-0333
 Email: magnetics@spang.com



DIMENSIONS (mm)							
A	B	C	D(min.)	E(min.)	F	L(nom.)	M(min.)
19.30	8.10	4.78	5.54	13.90	4.78	2.39	4.65

PHYSICAL CHARACTERISTICS		
l_e (mm) Path Length	A_e (mm ²) Cross Section	V_e (mm ³) Volume
40.1	22.8	914.0

$A_L \pm 8\%$ 48