

1-1337481-0 ✓ ACTIVE



TE Internal #: 1-1337481-0

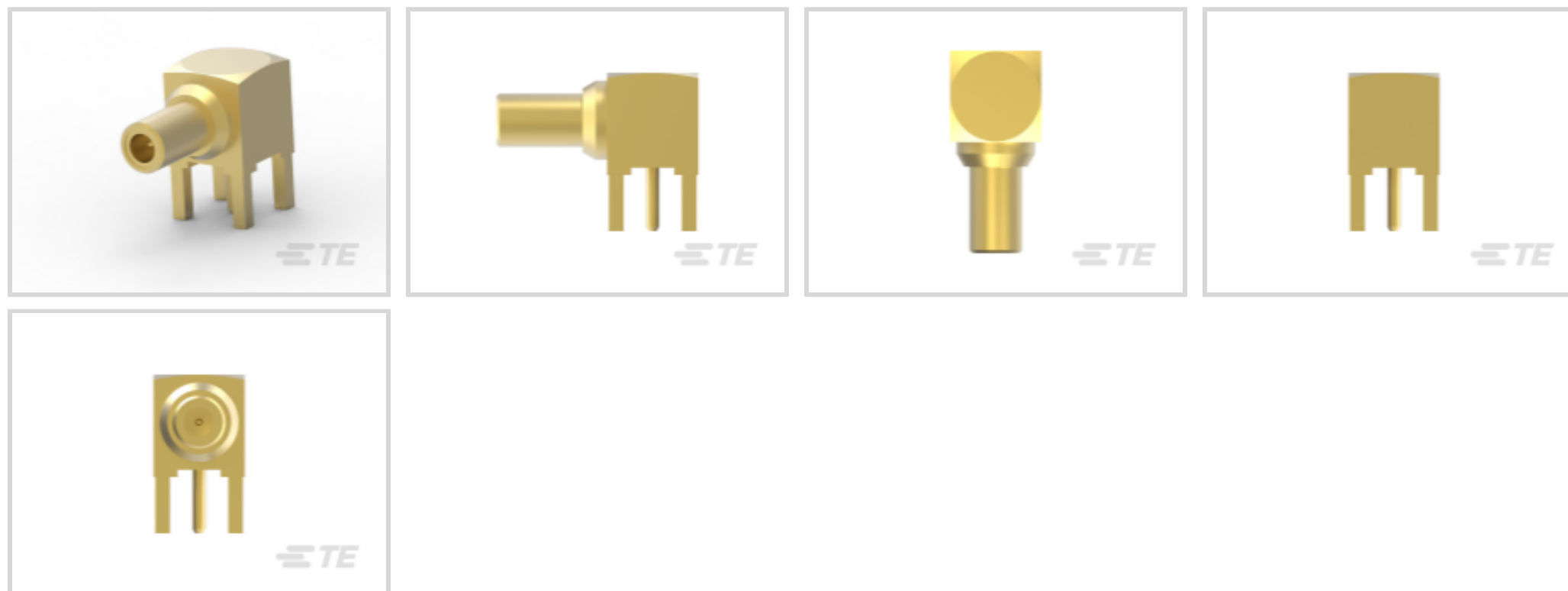
RF Connectors, SMB RF Interface, Jack, RF Connector Mated Outer

Diameter (Approximate) .187 in [4.75 mm], 50 Ω , Snap-On, 4GHz

Operating Frequency

[View on TE.com >](#)

Connectors > RF Coax Connectors > RF Connectors



RF Interface: **SMB**

RF Connector Style: **Jack**

RF Connector Mated Outer Diameter (Approximate): **4.75 mm [.187 in]**

Impedance: **50 Ω**

RF Connector Coupling Mechanism: **Snap-On**

Features

Product Type Features

Connector Product Type	Connector Assembly
RF Interface	SMB
RF Connector Style	Jack
Connector System	Cable-to-Board
Sealable	No
Connector & Contact Terminates To	Printed Circuit Board

Configuration Features

Number of Positions	1
PCB Mount Orientation	Right Angle
Number of Coaxial Contacts	1

Electrical Characteristics

Impedance	50 Ω
-----------	-------------

Body Features

Body Shape	Square
------------	--------



Body Material	Brass
---------------	-------

Body Plating Material	Gold
-----------------------	------

Contact Features

RF Connector Center Contact Plating Material	Gold
--	------

RF Connector Center Contact Material	Brass
--------------------------------------	-------

Termination Features

Termination Method to Printed Circuit Board	Through Hole - Solder
---	-----------------------

Termination Post & Tail Length	3.9 mm[.153 in]
--------------------------------	-----------------

Mechanical Attachment

RF Connector Coupling Mechanism	Snap-On
---------------------------------	---------

Connector Mounting Type	Board Mount
-------------------------	-------------

RF Contact Captivation Method	Mechanical
-------------------------------	------------

Detent	Without
--------	---------

Dimensions

Mounting Post Length	3.89 mm[.153 in]
----------------------	------------------

PCB Thickness (Recommended)	3.2 mm[.126 in]
-----------------------------	-----------------

Product Length	11 mm[.432 in]
----------------	----------------

RF Connector Mated Outer Diameter (Approximate)	4.75 mm[.187 in]
---	------------------

Height Above PC Board	11 mm[.433 in]
-----------------------	----------------

Usage Conditions

Operating Temperature Range	-65 – 165 °C[-85 – 329 °F]
-----------------------------	----------------------------

Operation/Application

Operating Frequency	4 GHz
---------------------	-------

Packaging Features

Packaging Quantity	100
--------------------	-----

Packaging Method	Tray
------------------	------

Other

Grade	Professional
-------	--------------

Additional Features	Board Standoff, Pin Protection
---------------------	--------------------------------

Dielectric Material	PTFE
---------------------	------

Product Compliance



[For compliance documentation, visit the product page on TE.com>](#)

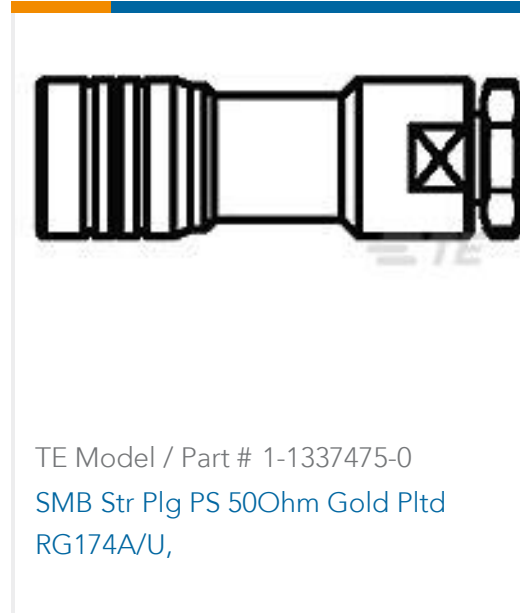
EU RoHS Directive 2011/65/EU	Compliant with Exemptions
EU ELV Directive 2000/53/EC	Compliant with Exemptions
China RoHS 2 Directive MIIT Order No 32, 2016	Restricted Materials Above Threshold
EU REACH Regulation (EC) No. 1907/2006	Current ECHA Candidate List: JUN 2020 (209) Candidate List Declared Against: JUN 2020 (209) SVHC > Threshold: Pb (4% in Component Part) Article Safe Usage Statements: Do not eat, drink or smoke when using this product. Wash thoroughly after handling. Recycle if possible and dispose of the article by following all applicable governmental regulations relevant to your geographic location.
Halogen Content	Low Halogen - Br, Cl, F, I < 900 ppm per homogenous material. Also BFR/CFR/PVC Free
Solder Process Capability	Wave solder capable to 265°C

Product Compliance Disclaimer

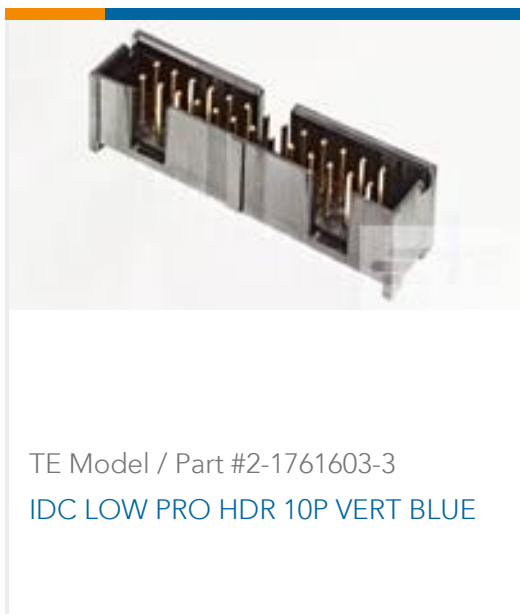
This information is provided based on reasonable inquiry of our suppliers and represents our current actual knowledge based on the information they provided. This information is subject to change. The part numbers that TE has identified as EU RoHS compliant have a maximum concentration of 0.1% by weight in homogenous materials for lead, hexavalent chromium, mercury, PBB, PBDE, DBP, BBP, DEHP, DIBP, and 0.01% for cadmium, or qualify for an exemption to these limits as defined in the Annexes of Directive 2011/65/EU (RoHS2). Finished electrical and electronic equipment products will be CE marked as required by Directive 2011/65/EU. Components may not be CE marked. Additionally, the part numbers that TE has identified as EU ELV compliant have a maximum concentration of 0.1% by weight in homogenous materials for lead, hexavalent chromium, and mercury, and 0.01% for cadmium, or qualify for an exemption to these limits as defined in the Annexes of Directive 2000/53/EC (ELV). Regarding the REACH Regulation, the information TE provides on SVHC in articles for this part number is based on the latest European Chemicals Agency (ECHA) 'Guidance on requirements for substances in articles' posted at this URL: <https://echa.europa.eu/guidance-documents/guidance-on-reach>

Compatible Parts

 <p>TE Model / Part # 5413760-3 JACK,75 OHM,COML BNC,HEX CRIMP</p>	 <p>TE Model / Part # 5413760-8 JACK,75 OHM,COML BNC,HEX CRIMP</p>	 <p>TE Model / Part # 5413760-9 JACK,75 OHM,COML BNC,HEX CRIMP</p>	 <p>TE Model / Part # 5221199-5 JACK,75 OHM COML BNC</p>
---	--	---	---



Customers Also Bought





Documents

Product Drawings

[SMB R/A PCB Skt 50Ohm Gold Plt](#)

English

CAD Files

[3D PDF](#)

3D

Customer View Model

[ENG_CVM_CVM_1-1337481-0_F.2d_dxf.zip](#)

English

Customer View Model

[ENG_CVM_CVM_1-1337481-0_F.3d_igs.zip](#)

English

Customer View Model

[ENG_CVM_CVM_1-1337481-0_F.3d_stp.zip](#)

English

By downloading the CAD file I accept and agree to the [Terms and Conditions](#) of use.

Datasheets & Catalog Pages

[1-1773725-8_RF_COAX_QRG](#)

English

Product Environmental Compliance

[TE Material Declaration](#)

English