



# Product Technical Specification & Customer Design Guidelines

## AirPrime SL808X



**SIERRA**  
WIRELESS™

240058  
Rev 2



---

## Important Notice

Due to the nature of wireless communications, transmission and reception of data can never be guaranteed. Data may be delayed, corrupted (i.e., have errors) or be totally lost. Although significant delays or losses of data are rare when wireless devices such as the Sierra Wireless modem are used in a normal manner with a well-constructed network, the Sierra Wireless modem should not be used in situations where failure to transmit or receive data could result in damage of any kind to the user or any other party, including but not limited to personal injury, death, or loss of property. Sierra Wireless accepts no responsibility for damages of any kind resulting from delays or errors in data transmitted or received using the Sierra Wireless modem, or for failure of the Sierra Wireless modem to transmit or receive such data.

## Safety and Hazards

Do not operate the Sierra Wireless modem in areas where blasting is in progress, where explosive atmospheres may be present, near medical equipment, near life support equipment, or any equipment which may be susceptible to any form of radio interference. In such areas, the Sierra Wireless modem **MUST BE POWERED OFF**. The Sierra Wireless modem can transmit signals that could interfere with this equipment.

Do not operate the Sierra Wireless modem in any aircraft, whether the aircraft is on the ground or in flight. In aircraft, the Sierra Wireless modem **MUST BE POWERED OFF**. When operating, the Sierra Wireless modem can transmit signals that could interfere with various onboard systems.

---

*Note: Some airlines may permit the use of cellular phones while the aircraft is on the ground and the door is open. Sierra Wireless modems may be used at this time.*

---

The driver or operator of any vehicle should not operate the Sierra Wireless modem while in control of a vehicle. Doing so will detract from the driver or operator's control and operation of that vehicle. In some states and provinces, operating such communications devices while in control of a vehicle is an offence.

## Limitation of Liability

The information in this manual is subject to change without notice and does not represent a commitment on the part of Sierra Wireless. SIERRA WIRELESS AND ITS AFFILIATES SPECIFICALLY DISCLAIM LIABILITY FOR ANY AND ALL DIRECT, INDIRECT, SPECIAL, GENERAL, INCIDENTAL, CONSEQUENTIAL, PUNITIVE OR EXEMPLARY DAMAGES INCLUDING, BUT NOT LIMITED TO, LOSS OF PROFITS OR REVENUE OR ANTICIPATED PROFITS OR REVENUE ARISING OUT OF THE USE OR INABILITY TO USE ANY SIERRA WIRELESS PRODUCT, EVEN IF SIERRA WIRELESS AND/OR ITS AFFILIATES HAS BEEN ADVISED OF THE POSSIBILITY OF SUCH DAMAGES OR THEY ARE FORESEEABLE OR FOR CLAIMS BY ANY THIRD PARTY.

Notwithstanding the foregoing, in no event shall Sierra Wireless and/or its affiliates aggregate liability arising under or in connection with the Sierra Wireless product, regardless of the number of events, occurrences, or claims giving rise to liability, be in excess of the price paid by the purchaser for the Sierra Wireless product.

## Patents

This product may contain technology developed by or for Sierra Wireless Inc.

This product includes technology licensed from QUALCOMM® 3G.

This product is manufactured or sold by Sierra Wireless Inc. or its affiliates under one or more patents licensed from InterDigital Group.

## Copyright

©2011 Sierra Wireless. All rights reserved.

## Trademarks

AirCard® and Watcher® are registered trademarks of Sierra Wireless. Sierra Wireless™, AirPrime™ and the Sierra Wireless logo are trademarks of Sierra Wireless.

Windows® and Windows Vista® are registered trademarks of Microsoft Corporation.

QUALCOMM® is a registered trademark of QUALCOMM Incorporated. Used under license.

Other trademarks are the property of their respective owners.

## Contact Information

Sales Desk:	Phone:	1-604-232-1488
	Hours:	8:00 AM to 5:00 PM Pacific Time
	E-mail:	<a href="mailto:sales@sierrawireless.com">sales@sierrawireless.com</a>
Post:	Sierra Wireless 13811 Wireless Way Richmond, BC Canada V6V 3A4	
Fax:	1-604-231-1109	
Web:	<a href="http://www.sierrawireless.com">www.sierrawireless.com</a>	

Consult our website for up-to-date product descriptions, documentation, application notes, firmware upgrades, troubleshooting tips, and press releases:

[www.sierrawireless.com](http://www.sierrawireless.com)

## Revision History

Revision number	Release date	Changes
1	December 2010	Created document
2	April 2011	Overall review and update



# Contents

<b>1. Introduction</b> .....	<b>15</b>
1.1 General features. ....	15
1.2 Support features. ....	19
1.3 Support tools .....	19
1.4 Accessories .....	19
1.5 Hardware development components .....	19
1.6 Ordering information. ....	20
1.7 Environmental issues .....	20
1.7.1 RoHS directive compliant .....	20
1.7.2 Disposing of the product .....	20
<b>2. Functional Specifications</b> .....	<b>21</b>
2.1 Functional architecture .....	21
2.1.1 Chipsets .....	21
2.2 Extended AT commands .....	21
<b>3. Technical Specifications</b> .....	<b>23</b>
3.1 Power supply .....	23
3.1.1 Burst transmission current requirements .....	24
3.1.2 Power input (VCC_3V6) .....	24
3.1.3 Start-up current .....	24
3.2 Ground connection .....	25
3.3 Decoupling of power supply signals .....	25
3.4 Mechanical specifications .....	25
3.4.1 Mechanical illustrations .....	26
3.5 Labeling .....	27
3.6 Embedded SIM (eSIM) .....	27
3.7 Thermal considerations .....	28
3.8 SED (Smart Error Detection) .....	28

- 3.9 Firmware upgrade . . . . . 28
- 4. Interfaces . . . . . 29**
  - 4.1 System design . . . . . 29
    - 4.1.1 Pin configuration . . . . . 32
    - 4.1.2 Pin description . . . . . 33
  - 4.2 Digital I/O electrical information . . . . . 38
    - 4.2.1 Electrical characteristics . . . . . 38
    - 4.2.2 Pin types . . . . . 39
    - 4.2.3 Signal reset states . . . . . 39
  - 4.3 Signal reference schematics . . . . . 39
  - 4.4 General purpose input/output . . . . . 40
    - 4.4.1 Pin descriptions . . . . . 40
  - 4.5 Serial peripheral interface (SPI) . . . . . 41
  - 4.6 Main serial interface (UART1) . . . . . 41
    - 4.6.1 Available services . . . . . 42
    - 4.6.2 UART1 pin descriptions . . . . . 42
    - 4.6.3 4-wire serial interface . . . . . 43
    - 4.6.4 8-wire serial interface . . . . . 43
    - 4.6.5 Configure the UART interface . . . . . 43
    - 4.6.6 Lock the UART interface . . . . . 44
  - 4.7 USIM interface . . . . . 44
    - 4.7.1 USIM pin descriptions . . . . . 45
    - 4.7.2 Application notes . . . . . 45
  - 4.8 USB 2.0 interface . . . . . 46
    - 4.8.1 USB pin descriptions . . . . . 47
    - 4.8.2 Electrical characteristics . . . . . 47
    - 4.8.3 USB configurations . . . . . 47
    - 4.8.4 Reference schematics . . . . . 48
    - 4.8.5 USB host drivers . . . . . 48

---

4.9 RF interface . . . . .	48
4.9.1 RF connections . . . . .	49
4.9.2 RF pin descriptions . . . . .	49
4.9.3 RF performance . . . . .	49
4.9.4 GPS specifications . . . . .	51
4.9.5 Antenna specifications . . . . .	52
4.9.6 Radiated emissions . . . . .	53
4.9.7 Radiated sensitivity measurement . . . . .	53
4.10 Audio interfaces . . . . .	54
4.11 Analog audio interface . . . . .	55
4.11.1 Pin descriptions . . . . .	55
4.11.2 Microphone features . . . . .	56
4.11.3 Speaker features . . . . .	60
4.11.4 Supported voice features . . . . .	63
4.12 Digital audio interface (PCM) . . . . .	64
4.19 JTAG interface . . . . .	68
4.20 Short Message Service (SMS) . . . . .	68
4.21 UMTS radio access bearers supported . . . . .	68
<b>5. Signals and Indicators . . . . .</b>	<b>69</b>
5.1 Overview . . . . .	69
5.2 Power on/off signal (POWER_ON_N) . . . . .	70
5.2.1 Pin descriptions . . . . .	70
5.2.2 Electrical characteristics . . . . .	70
5.2.3 Application notes . . . . .	70
5.3 Reset Signal (SYSTEM_RESET_N) . . . . .	72
5.3.1 Pin descriptions . . . . .	72
5.3.2 Electrical characteristics . . . . .	73
5.3.3 Application notes . . . . .	73
5.4 Wake signal (WAKE_N) . . . . .	75
5.4.1 Pin descriptions . . . . .	75
5.4.2 Electrical characteristics . . . . .	75

5.5 Disable signal (W_DISABLE_N) . . . . .	76
5.5.1 Pin descriptions . . . . .	76
5.5.2 Electrical characteristics . . . . .	76
5.5.3 Application notes . . . . .	76
5.6 Buzzer output (BUZZER_EN) . . . . .	78
5.6.1 Pin descriptions . . . . .	78
5.6.2 Electrical characteristics . . . . .	78
5.7 Flash LED (LED_FLASH) . . . . .	79
5.7.1 Pin descriptions . . . . .	79
5.7.2 Electrical characteristics . . . . .	79
5.8 Power rail (VREF_1V8) . . . . .	80
5.8.1 Pin descriptions . . . . .	80
5.8.2 Electrical characteristics . . . . .	81
5.8.3 Application notes . . . . .	81
5.9 Reserved . . . . .	81
<b>6. Power Consumption . . . . .</b>	<b>83</b>
6.1 Power states . . . . .	85
6.1.1 Power state transitions . . . . .	86
<b>7. Network technology specifications . . . . .</b>	<b>87</b>
7.1 UMTS WCDMA FDD specifications . . . . .	87
7.2 Supported specifications . . . . .	89
7.3 UMTS (WCDMA) / GSM specifications . . . . .	95
<b>8. Design Guidelines . . . . .</b>	<b>99</b>
8.1 General rules and constraints . . . . .	99
8.2 PCB layout recommendations . . . . .	99
8.3 Power supply . . . . .	99
8.4 Antenna . . . . .	100
8.5 PCB specifications for the application board . . . . .	100
8.6 Recommended PCB landing pattern . . . . .	100

---

8.7 Routing constraints . . . . .	101
8.7.1 Power supply . . . . .	101
8.7.2 SIM interface . . . . .	102
8.7.3 Audio circuit . . . . .	102
8.7.4 RF circuit . . . . .	102
8.8 EMC and ESD recommendations . . . . .	104
8.9 Mechanical integration . . . . .	105
8.10 Operating system upgrade . . . . .	105
<b>9. Embedded Testability . . . . .</b>	<b>107</b>
9.1 Testing assistance provided by Sierra Wireless. . . . .	107
9.2 Integration requirements . . . . .	107
9.3 IOT/Operator . . . . .	107
9.4 Module testing recommendations . . . . .	108
9.5 Serial interface access . . . . .	108
9.6 RF output accessibility . . . . .	109
<b>10. Certification Compliance and Recommended Standards . . . . .</b>	<b>111</b>
10.1 UMTS compliance acceptance and certification . . . . .	111
10.2 Certification compliance . . . . .	111
10.3 Applicable standards . . . . .	112
10.3.1 Important notice . . . . .	112
10.3.2 Safety and hazards . . . . .	112
10.3.3 Important compliance information for North American users . . .	113
10.3.4 EU regulatory conformity . . . . .	113

- 11. Customization . . . . . 115**
  
- 12. Safety Recommendations . . . . . 117**
  - 12.1 RF safety . . . . . 117
    - 12.1.1 General . . . . . 117
    - 12.1.2 Exposure to RF energy . . . . . 117
    - 12.1.3 Efficient terminal operation . . . . . 117
    - 12.1.4 Antenna care and replacement . . . . . 118
  - 12.2 General safety . . . . . 118
    - 12.2.1 Driving . . . . . 118
    - 12.2.2 Electronic devices . . . . . 118
    - 12.2.3 Vehicle electronic equipment . . . . . 118
    - 12.2.4 Medical electronic equipment . . . . . 118
    - 12.2.5 Aircraft . . . . . 119
    - 12.2.6 Children . . . . . 119
    - 12.2.7 Blasting areas . . . . . 119
    - 12.2.8 Potentially explosive atmospheres . . . . . 119
  
- 13. Connector and Peripheral Device References . . . . . 121**
  - 13.1 JTAG connector . . . . . 121
  
- 14. Signal reference schematics . . . . . 123**
  
- 15. References . . . . . 125**
  - 15.1 Web site support . . . . . 125
  - 15.2 Reference documents . . . . . 125
    - 15.2.1 Sierra Wireless documents . . . . . 125
    - 15.2.2 Industry/other documents . . . . . 125
  - 15.3 Abbreviations/acronyms . . . . . 126
  
- 16. Index . . . . . 129**

## >> List of Figures

Figure 2-1: Functional architecture	21
Figure 3-1: Exploded view	26
Figure 3-2: Dimensioned view	26
Figure 3-3: Unit label	27
Figure 4-1: SL8080/81 System block	30
Figure 4-2: SL8082/83 System block	30
Figure 4-3: SL8084/85 System block	31
Figure 4-4: SL808X device pinouts	32
Figure 4-5: Example—MIC differential connection with LC filter	57
Figure 4-6: Example—MIC differential connection without an LC filter	58
Figure 4-7: Example—MIC single-ended connection with LC filter	59
Figure 4-8: Example - MIC single-ended connection without an LC filter	59
Figure 4-9: SPK equivalent circuit	61
Figure 4-10: Example - SPK differential connection	62
Figure 4-11: Example - SPK single-ended connection	62
Figure 4-13: Timing diagram—Short frame sync (PCM_SYNC)	65
Figure 4-14: Timing diagram—PCM_CODEC to SL808x	65
Figure 4-15: Timing diagram—SL808x to external PCM_CODEC	66
Figure 4-16: Timing diagram—Long frame sync (AUX_PCM_SYNC)	67
Figure 4-17: Timing diagram—AUX_PCM_CODEC to SL808x	67
Figure 4-18: Timing diagram—SL808x to AUX_PCM_CODEC	67
Figure 5-1: POWER_ON_N signal timing	71
Figure 5-2: SYSTEM_RESET_N signal timing	73
Figure 5-3: W_DISABLE_N signal timing	77
Figure 6-1: Automatic ('triggered') power state transitions	86
Figure 8-1: PCB structure example for the application board	100
Figure 8-2: Power supply routing example	101
Figure 8-3: AppCad screenshot for MicroStrip design	103
Figure 8-4: Routing examples	103
Figure 9-1: Recommended thermocouple location	108
Figure 9-2: Main serial interface (UART1)	109



## »» List of Tables

Table 1-1: Supported bands/ connectivity	15
Table 1-2: Modem features	15
Table 3-1: Power and ground specifications	23
Table 3-2: Power supply requirements	23
Table 3-3: Radio burst rates—Connected mode	24
Table 3-4: Start-up current peak range	24
Table 3-5: Mechanical specifications	25
Table 4-1: Available interfaces and signals	29
Table 4-2: SL808X LGA pad pin assignments	33
Table 4-3: Electrical characteristics—1.8 V type (1V8) digital I/O	38
Table 4-4: Pin type codes	39
Table 4-5: Reset state definition	39
Table 4-6: GPIO interface features	40
Table 4-7: GPIO pin descriptions	40
Table 4-8: SPI interface signals	41
Table 4-9: UART1 interface features	41
Table 4-10: Serial port high-speed UART1 interface	42
Table 4-11: Duplexed (reconfigured) UART interface signal groups	43
Table 4-12: USIM interface features	44
Table 4-13: USIM interface signals	45
Table 4-14: USIM socket pin descriptions	46
Table 4-15: USB 2.0 interface features	46
Table 4-16: USB interface pins	47
Table 4-17: USB interface electrical characteristics	47
Table 4-18: Supported USB configurations	47
Table 4-19: RF interface features	48
Table 4-20: RF interface pins	49
Table 4-21: Band support, Conducted Tx Power, and Conducted Rx Sensitivity	50
Table 4-22: Main antenna (ANT_PRI) specification	52
Table 4-23: Audio interface features	55
Table 4-24: Analog audio interface connections	55
Table 4-25: MIC input electrical characteristics	56
Table 4-26: Recommended components for a MIC differential connection	58
Table 4-27: Recommended components for a MIC single-ended connection	60
Table 4-28: Speaker information	60
Table 4-29: SPK (receive) path characteristics	61
Table 4-30: Supported voice features	63
Table 4-31: Supported supplementary services	64
Table 4-32: PCM digital audio interface connections	65
Table 4-33: PCM_CODEC short frame sync (2.048 MHz) timing parameters	66
Table 4-34: AUX_PCM_CODEC timing parameters	67
Table 4-35: SMS features	68
Table 5-1: Available signals	69
Table 5-2: POWER_ON_N signal features	70
Table 5-3: ON/~OFF signal pin description	70

Table 5-4: POWER_ON_N signal timing parameters . . . . .	71
Table 5-5: Reset signal features . . . . .	72
Table 5-6: Reset signal pin description . . . . .	72
Table 5-7: Reset signal electrical characteristics . . . . .	73
Table 5-8: SYSTEM_RESET_N signal timing parameters . . . . .	73
Table 5-9: Reset settings . . . . .	74
Table 5-10: Wake signal features . . . . .	75
Table 5-11: Wake signal pin description . . . . .	75
Table 5-12: Wireless Disable signal features . . . . .	76
Table 5-13: Wireless disable signal pin description . . . . .	76
Table 5-14: W_DISABLE_N signal timing parameters . . . . .	77
Table 5-15: Buzzer signal features . . . . .	78
Table 5-16: Buzzer output pin description . . . . .	78
Table 5-17: LED signal features . . . . .	79
Table 5-18: LED_FLASH pin description . . . . .	79
Table 5-19: LED_FLASH signal electrical characteristics . . . . .	79
Table 5-20: VREF_1V8 pin descriptions . . . . .	80
Table 5-21: 1.8 V connector pins . . . . .	80
Table 5-22: VREF_1V8 signal electrical characteristics . . . . .	81
Table 6-1: Averaged standby DC power consumption . . . . .	83
Table 6-2: Averaged call mode data DC power consumption . . . . .	84
Table 6-3: Miscellaneous DC power consumption . . . . .	84
Table 6-5: Supported SL808X power states . . . . .	85
Table 6-4: Supported GPRS / EDGE power classes . . . . .	85
Table 6-6: Power state transitions (including voltage/temperature trigger levels) . . . . .	86
Table 7-1: Supported WCDMA FDD specifications . . . . .	87
Table 7-2: Supported GSM/GPRS specifications . . . . .	89
Table 7-3: UMTS (WCDMA)/GSM specifications . . . . .	95
Table 8-1: ESD specifications . . . . .	105
Table 10-1: Standards conformity for the SL808X embedded module . . . . .	111
Table 11-1: Customizable features . . . . .	115
Table 15-1: List of abbreviations/acronyms . . . . .	126

# 1. Introduction

The AirPrime SL808X Embedded Module<sup>1</sup> is a 74-pin soldered-down module. Its wireless UMTS-based modem provides (as listed in [Table 1-1](#)) data connectivity on HSDPA, WCDMA, EDGE, and GPRS networks, and, for specific devices, GPS and voice functionality.

**Table 1-1: Supported bands/ connectivity**

	SL8080	SL8081	SL8082	SL8083	SL8084	SL8085
GSM850 EGSM900 DCS1800 PCS1900	✓	✓	✓	✓	✓	✓
Band 1 (UMTS2100)			✓	✓	✓	✓
Band 2 (UMTS1900)	✓	✓				
Band 5 (UMTS850)	✓	✓			✓	✓
Band 8 (UMTS900)			✓	✓		
GPS (1575.42)	✓		✓		✓	
Voice	✓		✓		✓	

## 1.1 General features

[Table 1-2](#) lists several AirPrime SL808X Embedded Module features.

**Table 1-2: Modem features**

Feature	Description
<b>Physical</b>	<ul style="list-style-type: none"> <li>• Small form factor (74-pin solderable pad LGA)—25mm x 30mm x 2.35mm (nominal)</li> <li>• Complete body shielding</li> <li>• Embedded SIM available (SIM integrated at component level)</li> <li>• RF connection pads—Tx/Rx (all modems) and GPS (Voice/GPS modems only)</li> <li>• Baseband signals connection</li> </ul>
<b>Electrical</b>	<ul style="list-style-type: none"> <li>• Single supply voltage (VCC)—3.3V–4.3V</li> <li>• Complete body shielding—No additional shielding required</li> </ul>

1. SL808X—SL8080/SL8081/SL8082/SL8083/SL8084/SL8085.

**Table 1-2: Modem features (Continued)**

<p><b>SMS</b></p>	<ul style="list-style-type: none"> <li>• Send and receive (mobile originate and mobile terminate)             <ul style="list-style-type: none"> <li>• Mobile-originated / terminated over CS and PS channels</li> <li>• Mobile-originated SMS over PS falls back to CS if PS service is not available, or there is a PS network failure.</li> </ul> </li> <li>• New message notification</li> <li>• Message sorting</li> <li>• Multiple recipients</li> <li>• Return voice call</li> <li>• Save contact details</li> <li>• Mobile-originated SMS e-mail</li> <li>• Mobile-originated / terminated SMS concatenation</li> <li>• Mobile-originated SMS e-mail concatenation</li> <li>• Receipt notification</li> </ul>
<p><b>Application interface</b></p>	<ul style="list-style-type: none"> <li>• NDIS NIC interface support (Windows XP, Windows Vista, Windows 7, Windows CE<sup>a</sup>, Linux)</li> <li>• Multiple non-multiplexed USB channel support</li> <li>• Dial-up networking</li> <li>• USB selective suspend to maximize power savings</li> <li>• AT command interface—(non-voice) 27.007 standard, plus proprietary extended AT commands</li> <li>• CnS—Sierra Wireless' proprietary Control and Status host interface protocol</li> <li>• Software Development Kits (SDK) including APIs (Application Program Interfaces) and drivers (core, device) for Windows, Windows CE, and Linux</li> <li>• Optional eSIM support</li> </ul>
<p><b>Phone book</b></p>	<p>Supports Release 99 phone book features</p>
<p><b>Packet mode</b></p>	<ul style="list-style-type: none"> <li>• Dual-mode UMTS (WCDMA) / HSDPA / EDGE / GPRS operation</li> <li>• GPRS class B, multislots class 10 operation—Supports CS1–CS4 coding schemes</li> <li>• EDGE multislots class 12 operation—Supports MCS1–MCS9 coding schemes</li> <li>• UMTS (WCDMA) R99 data rates—384 kbps downlink, 384 kbps uplink</li> <li>• HSDPA             <ul style="list-style-type: none"> <li>• Category 5/6 data rate—3.6 Mbps (peak rate)</li> <li>• Category 12 data rate—1.8 Mbps</li> </ul> </li> <li>• Circuit-switched data bearers—64 kbps (maximum) uplink and downlink</li> </ul>

**Table 1-2: Modem features (Continued)**

<p><b>Connectivity/ GSM</b></p>	<ul style="list-style-type: none"> <li>• Multiple (up to 16) cellular packet data profiles</li> <li>• Traditional modem COM port support for DUN, CSD, and AT commands (concurrent with NDIS)</li> <li>• Suspend / Resume</li> <li>• Sleep mode for minimum idle power draw</li> <li>• SIM application toolkit with proactive SIM commands</li> <li>• Enhanced Operator Name String (EONS)</li> <li>• Profile list. Typical carrier profiles are available in a drop-down list in Watcher; the user can select a profile rather than enter all the parameters.</li> <li>• Automatic GPRS attach at power-up</li> <li>• GPRS detach</li> <li>• Combined GPRS / IMSI detach; MS-initiated and network-initiated detach</li> <li>• Mobile-originated PDP context activation/deactivation</li> <li>• Support QoS profile             <ul style="list-style-type: none"> <li>• Release 99 QoS negotiation—Background, Interactive, and Streaming</li> <li>• Release 97—Precedence Class, Reliability Class, Delay Class, Peak Throughput, Mean Throughput</li> </ul> </li> <li>• Static and Dynamic IP address. The network may assign a fixed IP address or dynamically assign one using DHCP (Dynamic Host Configuration Protocol).</li> <li>• PAP and CHAP support</li> <li>• PDP context type (IPv4). IP Packet Data Protocol context</li> <li>• RFC1144 TCP/IP header compression</li> <li>• Interaction with existing GSM services (MO/MT SMS voice calls) while:             <ul style="list-style-type: none"> <li>• GPRS is attached, or</li> <li>• In a GPRS data session (class B GPRS suspend / resume procedures)</li> </ul> </li> <li>• Support for EAP-SIM authentication and PC / SC. EAP-SIM is available through:             <ul style="list-style-type: none"> <li>• The API</li> <li>• AT commands</li> <li>• The PC / SC interface</li> </ul> </li> </ul>
<p><b>Voice<sup>b</sup></b></p>	<p>Supports:</p> <ul style="list-style-type: none"> <li>• All GSM vocoders, Enhanced Full Rate (EFR), Full Rate (FR), and WCDMA Adaptive Multirate (AMR) encoders</li> <li>• MO and MT calling</li> <li>• Echo cancellation and noise reduction</li> <li>• Emergency calls (112, 110, 911, etc.)</li> <li>• Incoming call notification</li> <li>• TTY/TDD compatibility through microphone/speaker connections using the audio interface</li> </ul>

**Table 1-2: Modem features (Continued)**

<p><b>Supplementary services<sup>b</sup></b></p>	<ul style="list-style-type: none"> <li>• Call Barring</li> <li>• Call Forwarding</li> <li>• Call Hold</li> <li>• Caller ID</li> <li>• Call Waiting</li> <li>• Multi-party service</li> <li>• USSD</li> </ul>
<p><b>GPS<sup>c</sup></b></p>	<p>Provides:</p> <ul style="list-style-type: none"> <li>• Standalone GPS functionality</li> <li>• gpsOneXTRA™</li> <li>• A-GPS features</li> <li>• NMEA support</li> </ul> <hr/> <p><i>Note: GPS specifications are preliminary targets that are subject to change without notice. Actual GPS functionality is dependent on the firmware version, and on module configuration.</i></p> <hr/>
<p><b>Network selection</b></p>	<ul style="list-style-type: none"> <li>• Network selection procedures described in 3G 22.011, R5 (June 2005), 3G 23.122 (June 2005), and 3G 43.022, R4</li> <li>• RRC connection reject message to redirect from a 3G system to a 2G system, according to 25.331, R5 (June 2004)</li> <li>• A CPHS Customer Service Profile-like feature [PLMN Mode bit] on a USIM / SIM that hides network selection related menus</li> <li>• Initial HPLMN scan at two minutes after power on</li> <li>• An HPLMN rescan irrespective of the serving MCC</li> <li>• Selective disabling of any 2G or 3G frequency band</li> <li>• Equivalent PLMN</li> <li>• Network selection generally within 30 seconds of power up</li> <li>• Enhanced network selection (ENS)</li> </ul>
<p><b>RF</b></p>	<ul style="list-style-type: none"> <li>• Quad-band GSM/GPRS/EDGE (850 MHz, 900 MHz, 1800 MHz, 1900 MHz)</li> <li>• Dual-band UMTS WCDMA FDD             <ul style="list-style-type: none"> <li>• SL8080/SL8081: 850 MHz, 1900 MHz</li> <li>• SL8082/SL8083: 900 MHz, 2100 MHz</li> <li>• SL8084/SL8085: 850 MHz, 2100 MHz</li> </ul> </li> <li>• GPS (1575.42 MHz) (SL8080/82/84 only)</li> </ul>
<p><b>Environmental</b></p>	<p>Operating temperature ranges</p> <ul style="list-style-type: none"> <li>• Data-only devices:             <ul style="list-style-type: none"> <li>• Class A (3GPP compliant): -20°C to +60°C</li> <li>• Class B (operational, non-3GPP compliant): -30°C to +75°C</li> </ul> </li> <li>• Voice-capable devices:             <ul style="list-style-type: none"> <li>• Class A (3GPP compliant): -30°C to +70°C</li> <li>• Class B (operational, non-3GPP compliant): -40°C to +85°C</li> </ul> </li> </ul>

**Table 1-2: Modem features (Continued)**

<b>Interfaces</b>	<ul style="list-style-type: none"><li>• 1.8 V digital section</li><li>• 3 V/1.8 V SIM interface</li><li>• Serial (UART1)</li><li>• Audio—Analog and digital (PCM)</li><li>• SIM/Embedded SIM</li><li>• USB 2.0 slave</li></ul>
<b>Operating system</b>	<ul style="list-style-type: none"><li>• Full GSM or GSM/GPRS/EGPRS operating system stack</li></ul>

- a. Contact Sierra Wireless for platform-specific Windows CE support details.
- b. Voice/Supplementary services on SL8080/SL8082/SL8084
- c. GPS on SL8080/SL8082/SL8084

## 1.2 Support features

The SL808X offers the following support feature:

- Enabling software (drivers, SDK, etc.): Windows, Windows CE, Linux

## 1.3 Support tools

The SL808X is compatible with the following support tools from Sierra Wireless and authorized third parties:

- Sierra Wireless Watcher connection manager (available for Windows and Mac operating systems)
- QXDM from Qualcomm

## 1.4 Accessories

The Universal SL Dev Kit includes:

- Embedded Modem Interface Kit
- Documentation suite
- USB cable
- Serial cable
- Power supply
- Quad-band (GSM/UMTS) antenna
- Handset

## 1.5 Hardware development components

Sierra Wireless manufactures two hardware development components to facilitate the hardware integration process:

- AirPrime SL Socket-Up Board—Adapter board onto which an SL module is soldered. This board may be used as a stand-alone platform for basic

hardware development. See [Signal reference schematics](#) on page 39 for details.

- AirPrime SL Development Kit—Hardware development platform that, when integrated with the socket-up board, provides access to all of the interfaces supported by the SL module.

For instructions on using the SL Development Kit, see [1] *Development Kit User Guide—AirPrime SL Series Document WA\_DEV\_SL6087\_UGD\_003*.

## 1.6 Ordering information

To order, contact the Sierra Wireless Sales Desk at +1 (604) 232-1488 between 8 AM and 5 PM Pacific Time.

## 1.7 Environmental issues

### 1.7.1 RoHS directive compliant

The AirPrime SL808X Embedded Module is compliant with RoHS Directive 2002/95/EC which sets limits for the use of certain restricted hazardous substances. This directive states that "from 1st July 2006, new electrical and electronic equipment put on the market does not contain lead, mercury, cadmium, hexavalent chromium, polybrominated biphenyls (PBB) or polybrominated diphenyl ethers (PBDE)".



### 1.7.2 Disposing of the product

This electronic product is subject to the EU Directive 2002/96/EC for Waste Electrical and Electronic Equipment (WEEE). As such, this product must not be disposed off at a municipal waste collection point. Please refer to local regulations for directions on how to dispose of this product in an environmental friendly manner.



## 2. Functional Specifications

### 2.1 Functional architecture

The global architecture of the AirPrime SL808X Embedded Module is described in [Figure 2-1](#).

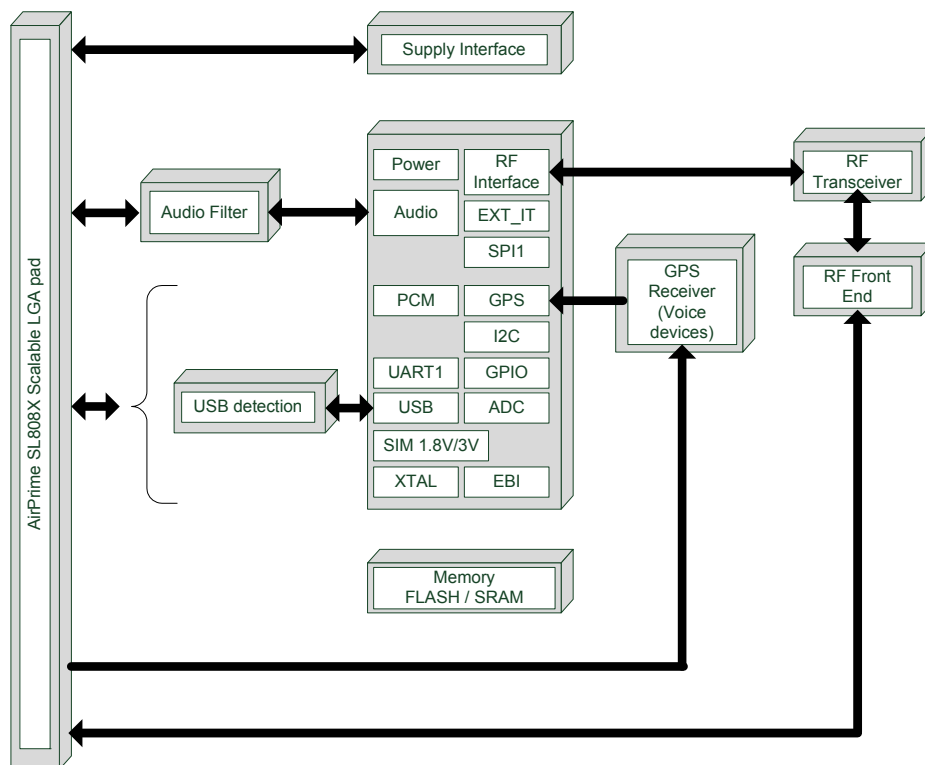


Figure 2-1: Functional architecture

#### 2.1.1 Chipsets

SL808X modems are based on Qualcomm single chip solutions (integrated baseband processor, RF transceiver, and power management IC):

- Voice modems: SL8080/82/84—QSC6270
- Data modems: SL8081/83/85—MDM6270

### 2.2 Extended AT commands

Several proprietary AT commands are available for AirPrime embedded modules to use in hardware integration design and testing (these commands are *NOT* intended for use by end users). For lists

of all available commands and descriptions of their functionality, refer to [3] *AirPrime MC8xxx Embedded Modules Extended AT Command Reference* and [2] *AirCard/AirPrime UMTS Devices Supported AT Command Reference*.

## 3. Technical Specifications

### 3.1 Power supply

Power is provided to the SL808X through power and ground pins as detailed in [Table 3-1](#).

**Table 3-1: Power and ground specifications**

Signal/Pin Name	Pins	Type	Specification	Parameter	Min	Typ	Max	Units
VCC_3V6 <sup>a</sup>	42, 44	V	Voltage range	VCC	3.30	3.60	4.30	V
			Ripple voltage ( $U_{ripp}$ )				100	mV <sub>pp</sub>
VREF_1V8	10	V	Maximum supply current = 1 mA		1.62	1.80	1.98	V
GND	19, 20, 21, 23, 28, 30, 35, 37, 38, 39, 52	V			-	0	-	V

- a. Host-provided input voltage should provide 3 A instantaneous (lasting 5 ms). See [Table 6-2](#) on page 84 for band-specific continuous current requirements.

The host device must provide power to the AirPrime soldered-down module over pins 42 and 44 (VCC\_3V6) as detailed in [Table 3-2](#).

**Table 3-2: Power supply requirements**

Requirement type	Value
Power supply	3.6 V (nominal)
Voltage range ( $V_{min}$ – $V_{max}$ )	3.3–4.3 V
Current (instantaneous ( $\leq 5$ ms))	3 A
Current (continuous)	See <a href="#">Table 6-2</a> on page 84 for band-specific values.
Power input capacitor(s)	<ul style="list-style-type: none"> <li>Add capacitance to host power rail (<math>\geq 100</math> <math>\mu</math>F) to keep module operational with <math>V_{in}</math> in range.</li> <li>Additional capacitance may be required if the host cannot meet the module's current requirements.</li> <li>Conditioning capacitor (1 <math>\mu</math>F, 0.1 <math>\mu</math>F, 10 nF and 1 nF) recommended close to the power input for decoupling.</li> </ul>

*Note: The host must provide safe and continuous power to the module; the module does NOT have protection circuits to guard against electrical overstress.*

### 3.1.1 Burst transmission current requirements

The power supply must be able to deliver high current peaks in a short time due to the burst transmission nature of GSM. During these peaks, the ripple ( $U_{ripp}$ ) on the supply voltage must not exceed the level noted in [Table 3-1](#) on page 23.

[Table 3-3](#) describes radio burst rates in connected mode. For detailed power consumption figures, see [Table 6-2](#) on page 84 for band-specific values.

**Table 3-3: Radio burst rates — Connected mode**

GSM/GPRS Multislot class	RF Power Amplifier current	Slot duration	Period	Rising time
Class 10 <sup>a</sup>	2.0 A peak	577 $\mu$ s	4.615 ms	10 $\mu$ s
Class 12 <sup>b</sup>				

- a. Up to 2 TX slots. Total TX duration for 2 slots = 1154  $\mu$ s.
- b. Up to 4 TX slots. Total TX duration for 4 slots = 2308  $\mu$ s.

### 3.1.2 Power input (VCC\_3V6)

An external power supply uses the VCC\_3V6 pins to:

- Supply the AirPrime SL808X Embedded Module.
- Directly supply the RF components with 3.6 V.
  - It is essential to keep the voltage ripple to a minimum at this connection to avoid any phase error or spectrum modulation degradation.
  - An inadequate power supply can significantly affect RF performance (TX power, modulation spectrum, EMC performance, spurious emission, frequency error, etc.).
- Provide reference voltage VREF\_1V8 (through several internal regulators) for the baseband signals. The host should draw less than 1 mA on this rail.

When the AirPrime SL808X Embedded Module is supplied with a battery, the total impedance (battery + protections + PCB) should be such that the supply will be  $\geq 3.3$  V during GSM burst mode operation (drawing a maximum peak current of 2.2 A for 577  $\mu$ s (one slot) or 1154  $\mu$ s (two slots) TX).

### 3.1.3 Start-up current

During the first second following Power ON, a current peak occurs. This current peak ( $t_{Startup}$ ) has a duration of about 165 ms (typical).

[Table 3-4](#) indicates the expected peak current range.

**Table 3-4: Start-up current peak range**

Current peak at ambient temperature (25°C)	VCC_3V6 <sub>min</sub> (3.3 V)	VCC_3V6 <sub>typ</sub> (3.6 V)	VCC_3V6 <sub>max</sub> (4.3 V)
$t_{Startup}$	150 mA	140 mA	115 mA

---

## 3.2 Ground connection

The AirPrime SL808X Embedded Module shielding case is the grounding. The ground must be connected on the motherboard through a complete layer on the PCB.

The ground connection is made by soldering the LGA ground pins and rectangular ground pad to the ground plane of the application board. For more information about ground connection, see [Ground plane and shielding connection](#) on page 101.

## 3.3 Decoupling of power supply signals

Although the AirPrime SL808X Embedded Module has embedded decoupling capacitors on the VCC\_3V6 lines, additional decoupling may be required:

- EMI/RFI issues—Parallel 33 pF capacitors close to the embedded module.
- TDMA noise (217 Hz)—Low frequency decoupling capacitors (22–100  $\mu$ F) can be used to reduce noise.

## 3.4 Mechanical specifications

This section describes mechanical specifications for the AirPrime SL808X Embedded Module. For additional mechanical and environmental specifications, refer to [5] *Sierra Wireless Reliability Specification*.

**Table 3-5: Mechanical specifications**

Specification	Details
Form factor	The SL808X is a 74-pin LGA soldered-down module with a two-piece shielded case.
Dimensions (nominal)	Length: 30 mm Width: 25 mm Thickness: 2.40 mm (nominal) Weight: approximately 3.5 g

### 3.4.1 Mechanical illustrations

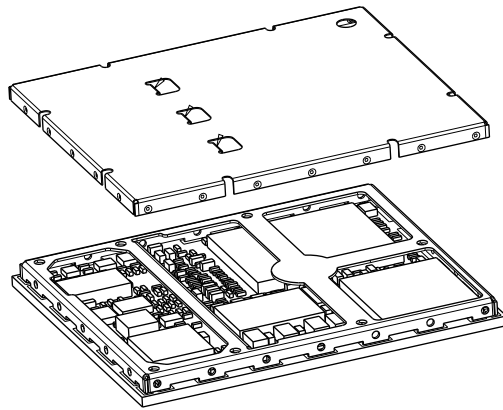


Figure 3-1: Exploded view

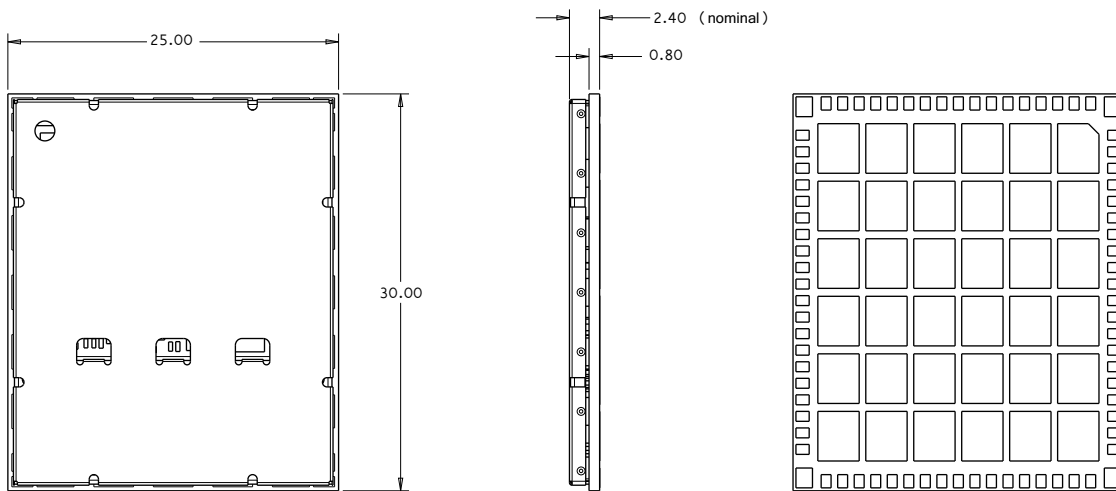


Figure 3-2: Dimensioned view

---

## 3.5 Labeling



Figure 3-3: Unit label

---

*Note: The displayed label is an example only. The production label will vary by SKU.*

---

The SL808X label is non-removable and contains:

- Sierra Wireless logo and product name. (Figure 3-3 uses 'X' to represent the actual product name. For example, SL8080, SL8081, SL8082, etc.)
- Factory Serial Number (FSN) and IMEI number shown in alphanumeric and Data Matrix (ECC200) 2D barcode formats
- SKU number (when required)
- Manufacturing date code (incorporated into FSN)
- Licensed vendor logo when required
- Device-specific regulatory certification marks (for example, FCC/IC, CE, A-Tick, CMITTID, etc.)

---

*Note: The SL808X supports OEM partner specific label requirements.*

---

## 3.6 Embedded SIM (eSIM)

The AirPrime SL808X Embedded Module is available with an embedded SIM solution that eliminates design issues related to working with a consumer-style SIM card, including:

- Improved environmental performance—The embedded SIM operates in extreme temperatures, and has higher vibration and humidity tolerances.
- Minimized size—The embedded SIM eliminates the requirements of a SIM card holder and plastic SIM, and the module is the same size with or without the embedded SIM.
- Service provider choice—You can provision the SIM with your preferred service provider or carrier, or take advantage of Sierra Wireless' existing carrier partnerships.

- Subscription portability and security—An integrated switch allows developers to provide the flexibility of switching between the embedded SIM and an external SIM as required.
- Simplified logistics—The embedded SIM does not need to be tracked, stored, or activated (as would a physical SIM card).

### 3.7 Thermal considerations

When transmitting, the AirPrime SL808X Embedded Module can generate significant amounts of heat (due to the internal Power Amplifier) that must be dissipated in the host device for safety and performance reasons.

The amount of thermal dissipation required depends on the following factors:

- Supply voltage—Maximum power dissipation for these modules can be up to 2.0 W at voltage supply limits.
- Usage—Typical power dissipation values depend on the location within the host, amount of data transferred, etc.

You can enhance heat dissipation by:

- Maximizing airflow over/around the module
- Locating the module away from other hot components

You can use `!PCTEMP` or `!GSTATUS` to return the module's current temperature. See [2] *AirCard/AirPrime UMTS Devices Supported AT Command Reference* for details.

### 3.8 SED (Smart Error Detection)

The AirPrime SL808X Embedded Module modules use a form of SED to track premature modem resets. In such cases, the module automatically forces a pause in boot-and-hold mode at power-on to accept an expected firmware download to resolve the problem.

1. Module tracks consecutive resets within 30 seconds of power-on.
2. After a third consecutive reset, the module waits in boot-and-hold mode for a firmware download to resolve the power-cycle problem.

### 3.9 Firmware upgrade

Firmware upgrades are downloaded to the modem over the USB or UART interfaces. Contact your Sierra Wireless account representative for assistance.

## 4. Interfaces

### 4.1 System design

This chapter describes the AirPrime SL808X Embedded Module's LGA pad configuration (see [Pin configuration](#) on page 32) and supported interfaces ([Table 4-1](#)).

**Table 4-1: Available interfaces and signals**

Name	AT command support
<a href="#">General purpose input/output</a> on page 40	✓
<a href="#">Main serial interface (UART1)</a> on page 41	✓
<a href="#">USIM interface</a> on page 44	✓
<a href="#">USB 2.0 interface</a> on page 46	✓
<a href="#">RF interface</a> on page 48	
<a href="#">Analog audio interface</a> on page 55	✓
<a href="#">Digital audio interface (PCM)</a> on page 64	✓
<a href="#">JTAG interface</a> on page 68	

The SL808X has two main interface areas—the host I/O perimeter I/O ports (pins) and the RF ports. These interface areas are identified in the following system block diagrams: [Figure 4-1](#) on page 30 (SL8080/81), [Figure 4-2](#) on page 30 (SL8082/83), and [Figure 4-3](#) on page 31 (SL8084/85).

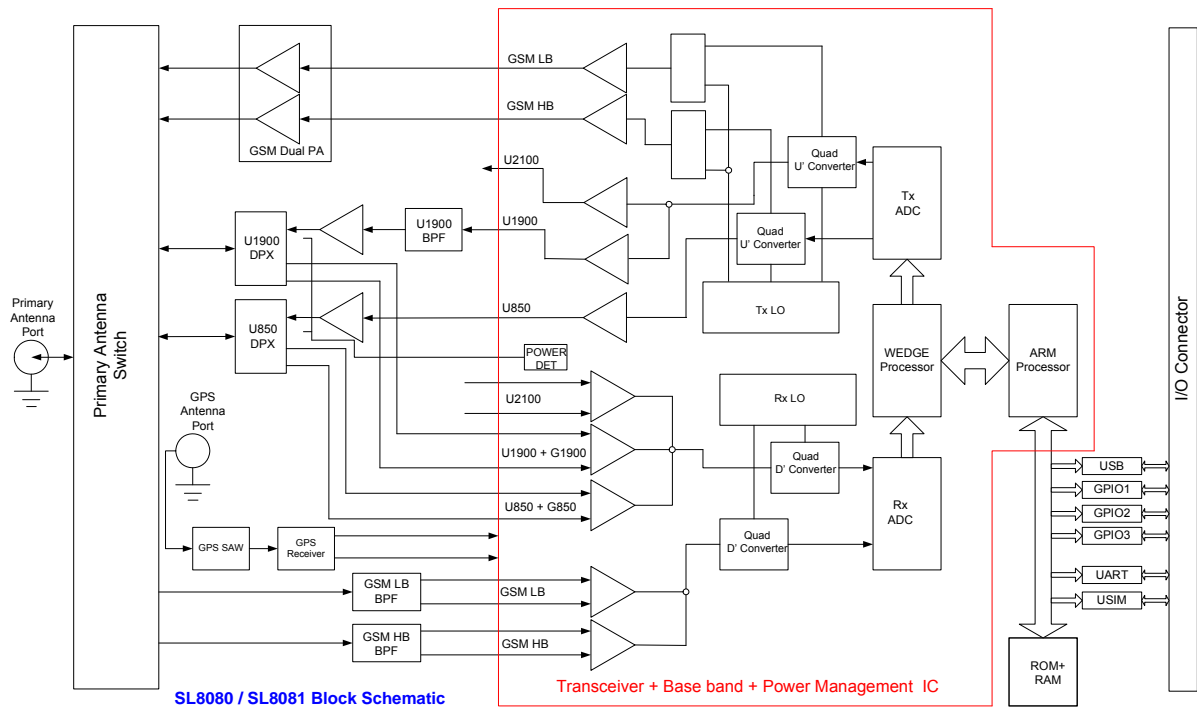


Figure 4-1: SL8080/81 System block

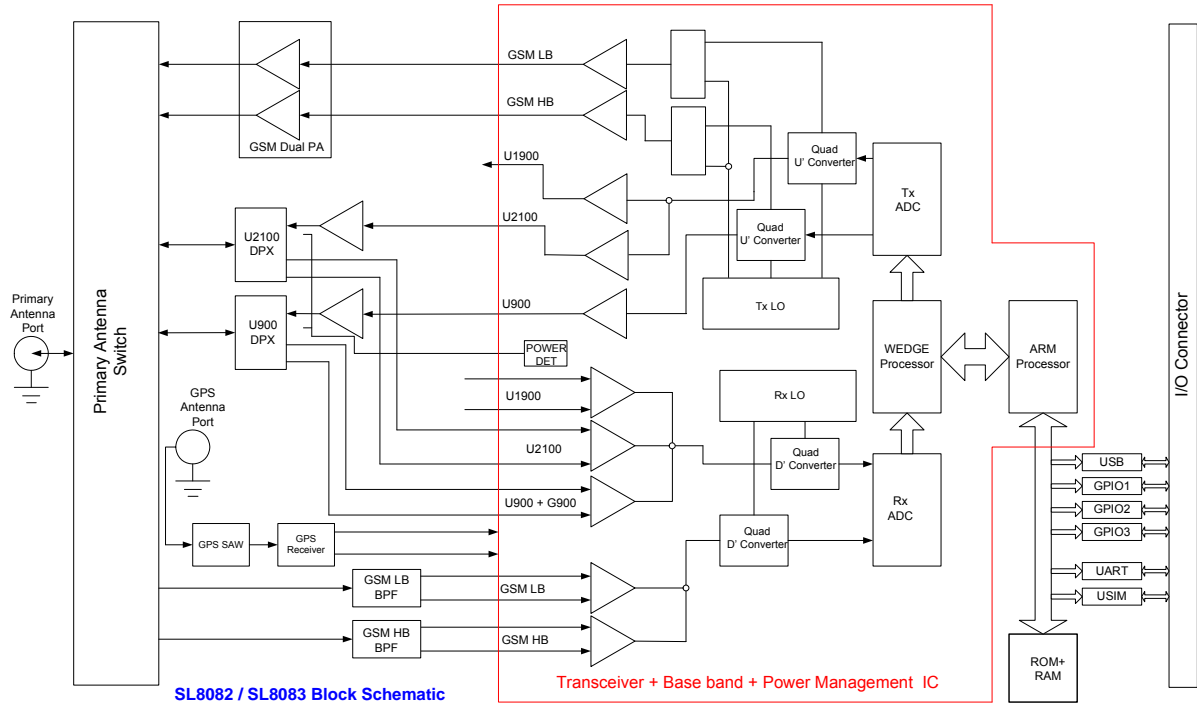


Figure 4-2: SL8082/83 System block





## 4.1.2 Pin description

Table 4-2 describes the LGA pad pin assignments.

See [Digital I/O electrical information](#) on page 38 for 1V8 voltage characteristics.

**Table 4-2: SL808X LGA pad pin assignments <sup>a</sup>**

Pin	Signal name	Description	Active state	Input / Output (Direction to module)	Voltage (V)			
					Min <sup>b</sup>	Typ <sup>b</sup>	Max <sup>b</sup>	Type
1	GPIO_3 <sup>c</sup>	General purpose I/O	High/Low	Input High	1.17	-	2.10	Digital
				Input Low	-0.30	-	0.63	
				Output High	1.35	-	1.80	
				Output Low	0	-	0.45	
2	GPIO_2 <sup>d</sup>	General purpose I/O	High/Low	Input High	1.17	-	2.10	Digital
				Input Low	-0.30	-	0.63	
				Output High	1.35	-	1.80	
				Output Low	0	-	0.45	
3	GPIO_1 <sup>e</sup>	General purpose I/O	High/Low	Input High	1.17	-	2.10	Digital
				Input Low	-0.30	-	0.63	
				Output High	1.35	-	1.80	
				Output Low	0	-	0.45	
4	NC	No connect						
5	NC	No connect						
6	EXT_VREG_USIM	USIM VCC supply	Power	Output (1.8 V)	1.65	-	1.95	Power
				Output (3.0_V)	2.90	-	3.10	
7	EXT_USIM_RESET	USIM reset	Low	Output High (1.8V)	1.35	-	1.80	Digital
				Output Low (1.8V)	0.00		0.45	
				Output High (3.0V)	2.55	-	3.00	
				Output Low (3.0V)	0		0.45	

**Table 4-2: SL808X LGA pad pin assignments (Continued)<sup>a</sup>**

Pin	Signal name	Description	Active state	Input / Output (Direction to module)	Voltage (V)			
					Min <sup>b</sup>	Typ <sup>b</sup>	Max <sup>b</sup>	Type
8	EXT_USIM_DATA	USIM I/O pin		Input High (1.8 V)	1.17		2.10	Digital
				Input Low (1.8 V)	-0.30		0.63	
				Output High (1.8 V)	1.35	-	1.80	
				Output Low (1.8 V)	0.00		0.45	
				Input High (3.0 V)	1.95		3.30	
				Input Low (3.0 V)	-0.30		1.05	
				Output High (3.0 V)	2.55	-	3.00	
				Output Low (3.0 V)	0.00		0.45	
9	EXT_USIM_CLK	USIM clock		Output High (1.8V)	1.35	-	1.80	Digital
				Output Low (1.8V)	0.00		0.45	
				Output High (3.0V)	2.55	-	3.00	
				Output Low (3.0V)	0.00		0.45	
10	VREF_1V8	1.8 V LDO	High (when module is on)	Output	1.65	-	1.95	Power
11	SPI_CS_N <sup>e</sup>	SPI chip select	Low	Output High	1.35	-	1.80	Digital
				Output Low	0	-	0.45	
12	SPI_CLK <sup>d</sup>	SPI clock		Output High	1.35	-	1.80	Digital
				Output Low	0	-	0.45	
13	SPI_DATA_MOSI <sup>c</sup>	SPI Master Output / Slave Input data pin		Output High	1.35	-	1.80	Digital
				Output Low	0	-	0.45	
14	SPI_DATA_MISO	SPI Master Input / Slave Output data pin		Input High	1.17	-	2.10	Digital
				Input Low	-0.30	-	0.63	
15	NC	No connect						
16	NC	No connect						
17	NC	No connect						
18	NC	No connect						

**Table 4-2: SL808X LGA pad pin assignments (Continued)<sup>a</sup>**

Pin	Signal name	Description	Active state	Input / Output (Direction to module)	Voltage (V)			
					Min <sup>b</sup>	Typ <sup>b</sup>	Max <sup>b</sup>	Type
19	GND	Ground	GND	GND	-	-	-	
20	GND	Ground	GND	GND	-	-	-	
21	GND	Ground	GND	GND	-	-	-	
22	RESERVED - DNC	No connect						
23	GND	Ground	GND	GND	-	-	-	
24	NC	No connect						
25	NC	No connect						
26	NC	No connect						
27	NC	No connect						
28	GND	Ground	GND	GND	-	-	-	
29	ANT_PRM	Main (primary) antenna		Input/Output	Refer to RF specifications			RF
30	GND	Ground	GND	GND	-	-	-	
31	NC	No connect						
32	NC	No connect						
33	NC	No connect						
34	NC	No connect						
35	GND	Ground	GND	GND	-	-	-	
36	ANT_GPS	GPS antenna		Input	Refer to RF specifications			RF
37	GND	Ground	GND	GND	-	-	-	
38	GND	Ground	GND	GND	-	-	-	
39	GND	Ground	GND	GND	-	-	-	
40	NC	No connect						
41	RESERVED - DNC	No connect						
42	VCC_3V6	3.6 V supply	Power	Input	3.30	3.60	4.30	Power
43	POWER_ON_N	Power on		Input	0		1.80	Digital
44	VCC_3V6	3.6 V supply	Power	Input	3.30	3.60	4.30	Power
45	UART1_TXD <sup>f</sup>	UART Transmit Data	High/Low	Input High	1.17	-	2.10	Digital
				Input Low	-0.30	-	0.63	
46	UART1_RXD	UART Receive Data	High/Low	Output High	1.35	-	1.80	Digital
				Output Low	0	-	0.45	

**Table 4-2: SL808X LGA pad pin assignments (Continued)<sup>a</sup>**

Pin	Signal name	Description	Active state	Input / Output (Direction to module)	Voltage (V)				
					Min <sup>b</sup>	Typ <sup>b</sup>	Max <sup>b</sup>	Type	
47	UART1_CTS_N	UART Clear To Send	High/Low	Output High	1.35	-	1.80	Digital	
				Output Low	0	-	0.45		
48	UART1_RTS_N	UART Request To Send	High/Low	Input High	1.17	-	2.10	Digital	
				Input Low	-0.30	-	0.63		
49	NC	No connect							
50	USB_D+	USB data positive (Low/Full speed)		Input High	2.00	3.30	3.60	Differential	
				Input Low	0.00		0.80		
				Output High	2.80	3.30	3.60		
				Output Low			0.30		
	USB data positive (High speed)				Input High	0.30			0.44
					Input Low	0.00			0.01
					Output High	0.36	0.38		0.44
					Output Low	0.00			0.01
51	USB_D-	USB data negative (Low/Full speed)		Input High	2.00	3.30	3.60	Differential	
				Input Low	0.00		0.80		
				Output High	2.80	3.30	3.60		
				Output Low			0.30		
	USB data negative (High speed)				Input High	0.30			0.44
					Input Low	0.00			0.01
					Output High	0.36	0.38		0.44
					Output Low	0.00			0.01
52	GND	Ground	GND	GND	-	-	-		
53	(SL8081/83/85) RESERVED - DNC	Do not connect							
	(SL8080/82/84) MIC1_P	Microphone positive in series with 0.1µF DC blocking capacitor (Differential input across MIC1_P/MIC1_N)		Input		200 (mV <sub>pp</sub> )	2.60 (V <sub>pp</sub> )	Analog	
54	(SL8081/83/85) RESERVED - DNC	Do not connect							
	(SL8080/82/84) MIC1_N	Microphone negative in series with 0.1µF DC blocking capacitor (Differential input across MIC1_P/MIC1_N)		Input		200 (mV <sub>pp</sub> )	2.60 (V <sub>pp</sub> )	Analog	

**Table 4-2: SL808X LGA pad pin assignments (Continued)<sup>a</sup>**

Pin	Signal name	Description	Active state	Input / Output (Direction to module)	Voltage (V)			
					Min <sup>b</sup>	Typ <sup>b</sup>	Max <sup>b</sup>	Type
55	NC	No connect						
56	(SL8081/83/85) RESERVED - DNC	No connect						
	(SL8080/82/84) SPK_N	Speaker negative (Differential output across SPK_P/SPK_N)		Output		80 (mV <sub>pp</sub> )	4.24 (V <sub>pp</sub> )	Analog
57	(SL8081/83/85) RESERVED - DNC	No connect						
	(SL8080/82/84) SPK_P	Speaker positive (Differential output across SPK_P/SPK_N)		Output		80 (mV <sub>pp</sub> )	4.24 (V <sub>pp</sub> )	Analog
58	NC	No connect						
59	NC	No connect						
60	LED_FLASH	LED driver	High	Output High	1.35	-	1.80	Digital
				Output Low	0	-	0.45	
61	WAKE_N	Wake Host Interface	Low	Output High	1.35	-	1.80	Digital
				Output Low	0	-	0.45	
62	W_DISABLE_N	Wireless disable	High/Low	Input High	1.17	-	2.10	Digital
				Input Low	-0.30	-	0.63	
63	SYSTEM_RESET_N	Reset	High/Low	Input High	1.17	-	2.10	Digital
				Input Low	-0.30	-	0.63	
64	PCM_SYNC	PCM Sync Out	High/Low	Output High	1.35		1.80	Digital
				Output Low	0		0.45	
65	PCM_DOUT <sup>d</sup>	PCM Data Out	High/Low	Output High	1.35		1.80	Digital
				Output Low	0		0.45	
66	PCM_DIN <sup>e</sup>	PCM Data In	High/Low	Input High	1.17	-	2.10	Digital
				Input Low	-0.30	-	0.63	
67	PCM_CLK <sup>c</sup>	PCM Clock	High/Low	Output High	1.35		1.80	Digital
				Output Low	0		0.45	
68	BUZZER_EN		High/Low	Output High	1.35	-	1.80	Digital
				Output Low	0	-	0.45	
69	TDI	Test Data Input	High/Low	Input High	1.17	-	2.10	Digital
				Input Low	-0.30	-	0.63	

**Table 4-2: SL808X LGA pad pin assignments (Continued)<sup>a</sup>**

Pin	Signal name	Description	Active state	Input / Output (Direction to module)	Voltage (V)			
					Min <sup>b</sup>	Typ <sup>b</sup>	Max <sup>b</sup>	Type
70	TMS	Test Mode Select	High/Low	Input High	1.17	-	2.10	Digital
				Input Low	-0.30	-	0.63	
71	TCK	Test Clock	High/Low	Input High	1.17	-	2.10	Digital
				Input Low	-0.30	-	0.63	
72	TRST_N	Test Reset	Low	Input High	1.17	-	2.10	Digital
				Input Low	-0.30	-	0.63	
73	TDO	Test Data Output	High/Low	Output High	1.35	-	1.80	Digital
				Output Low	0	-	0.45	
74	RTCK	Return TCK	High/Low	Output High	1.35	-	1.80	Digital
				Output Low	0	-	0.45	

- a. During the powered-off state, digital signal pins may not be in a high impedance state.
- b. All values are preliminary.
- c. Pin may be reconfigured for use as DSR with 8-wire UART. See [Configure the UART interface](#) on page 43 for details.
- d. Pin may be reconfigured for use as DTR with 8-wire UART. See [Configure the UART interface](#) on page 43 for details.
- e. Pin may be reconfigured for use as DCD with 8-wire UART. See [Configure the UART interface](#) on page 43 for details.
- f. The names used for pins 45/46 and 47/48 were swapped from Rev.1 to be relative to the host—the pin functionality and signal direction have not changed.

## 4.2 Digital I/O electrical information

The AirPrime SL808X Embedded Module uses 1.8 V CMOS for digital I/O. For electrical characteristics, see [Table 4-3](#) on page 38.

### 4.2.1 Electrical characteristics

[Table 4-3](#) describes the electrical characteristics of 1.8 V CMOS pins.

**Table 4-3: Electrical characteristics—1.8 V type (1V8) digital I/O**

Parameter <sup>a</sup>		I/O type	Minimum	Maximum	Condition
Input/Output pin	V <sub>IL</sub>	CMOS	-0.3 V	0.63 V	
	V <sub>IH</sub>	CMOS	1.17 V	2.1 V	
	V <sub>OL</sub>	CMOS	0.0 V	0.45 V	I <sub>OL</sub> varies by pin definition
	V <sub>OH</sub>	CMOS	1.35 V	1.8 V	I <sub>OH</sub> varies by pin definition
	I <sub>OH</sub>			1 to 8 mA	Maximum varies by pin definition
	I <sub>OL</sub>			-1 to -8 mA	

- a. 'IL'—Input Low; 'IH'—Input High; 'OL'—Output Low; 'OH'—Output High

---

## 4.2.2 Pin types

Several tables in this chapter include pin types as part of their descriptions. [Table 4-5](#) describes these pin types.

**Table 4-4: Pin type codes**

Type	Definition
A	Analog pin
I	Input
NP	No pull
O	Digital output
PU	Digital input, internal pull up
PD	Digital input, internal pull down
V	Power or Ground pin

## 4.2.3 Signal reset states

Each interface described in this chapter includes a pin descriptions table, which identifies each signal's reset state. [Table 4-5](#) describes these reset states.

**Table 4-5: Reset state definition**

Parameter	Definition
0	Set to GND
1	Set to supply 1V8
Pull-down	Internal pull-down with ~60 k $\Omega$ resistor
Pull-up	Internal pull-up with ~60 k $\Omega$ resistor to supply 1V8
Z	High impedance
Undefined	<b>Caution:</b> <i>Undefined must not be used in an application if a special state is required at reset. These pins may be toggling a signal(s) during reset.</i>

## 4.3 Signal reference schematics

See selected [Signal reference schematics](#) on page 123.

## 4.4 General purpose input/output

The AirPrime SL808X Embedded Module includes three general purpose I/O (GPIO) pins. [Table 4-6](#) describes the purpose and features of this interface.

*Note: The GPIO pins may be used to provide DCD, DTR, and DSR signals for 8-wire UART. See [Configure the UART interface](#) on page 43 for details.*

**Table 4-6: GPIO interface features**

Feature	Details
Purpose	<ul style="list-style-type: none"> <li>OEM-configurable general purpose I/O (control, signaling, monitoring, etc.)</li> </ul>
Implementation	<ul style="list-style-type: none"> <li>Defaults to digital output</li> </ul>
Power	<ul style="list-style-type: none"> <li>1.8 V (use VREF_1V8 as logic reference)</li> <li>Output drive current up to 8 mA.</li> </ul>

### 4.4.1 Pin descriptions

[Table 4-7](#) describes the GPIO interface pins.

**Table 4-7: GPIO pin descriptions<sup>a</sup>**

Pin	Signal	I/O type	Reset state <sup>b</sup>	Description
1	GPIO_3	1V8	<ul style="list-style-type: none"> <li>Using EMConnect: Set by user</li> <li>Not using EMConnect: Input, pull-down</li> </ul>	Configurable general purpose I/O
2	GPIO_2	1V8		
3	GPIO_1	1V8		

- a. See [Table 4-2](#) on page 33 for additional pin-specific details.  
 b. See [Table 4-5](#) on page 39 for state definitions.

**Caution:** *Sierra Wireless reserves the right to dedicate any of these pins for specific purposes in the future. Use at your own risk.*

---

## 4.5 Serial peripheral interface (SPI)

The AirPrime SL808X Embedded Module reserves four pins that will be used in the future for a 4-wire serial peripheral interface (SPI).

---

*Note: The SPI pins may be used to provide DCD, DTR, and DSR signals for 8-wire UART. See [Configure the UART interface](#) on page 43 for details.*

---

**Table 4-8: SPI interface signals<sup>a</sup>**

Pin	Signal	I/O type	Reset state <sup>b</sup>
11	~SPI1-I_CS	1V8	Z
12	SPI1-CLK	1V8	Z
13	SPI1-IO	1V8	Z
14	SPI1-I	1V8	Z

- a. See [Table 4-2](#) on page 33 for additional pin-specific details.  
b. See [Table 4-5](#) on page 39 for state definitions.

## 4.6 Main serial interface (UART1)

The AirPrime SL808X Embedded Module includes a serial interface (UART1) for host-module communication. The interface can be configured as:

- 4-wire UART
- 8-wire UART (using reconfigured GPIO, PCM, or SPI pins)

[Table 4-9](#) describes the purpose and features of this interface.

See [Figure 9-2](#) on page 109 for an implementation of the UART1 interface.

---

*Note: The SL808X may be provisioned with the ability to use the UART1 interface to communicate with peripheral devices. Contact Sierra Wireless for further information.*

---

**Table 4-9: UART1 interface features**

Feature	Details
Purpose	<ul style="list-style-type: none"><li>• Serial host-module communication</li><li>• Dependent on provisioning, communication with peripheral devices. Contact Sierra Wireless for further information.</li></ul>
Implementation	<ul style="list-style-type: none"><li>• Four-wire/eight-wire serial interface based on TIA-232 (RS232 protocol)</li><li>• An RS-232 level shifter device may be required.</li></ul>

**Table 4-9: UART1 interface features**

Feature	Details
Data rates supported	<ul style="list-style-type: none"> <li>High speed (up to 230 kbps)</li> </ul>
Optional functionality	<ul style="list-style-type: none"> <li>Dependent on provisioning, module may be able to communicate with peripheral devices. Contact Sierra Wireless to discuss possible firmware support.</li> </ul>

### 4.6.1 Available services

Dependent on device configuration, the AirPrime SL808X Embedded Module supports the following data services (logical protocols) for the transfer of data and control information over the UART1 interface:

- AT—Command processor/data service
- DM (Diagnostic Message service)
- NMEA (GPS) service
- PDP services
- HIP / CnS

### 4.6.2 UART1 pin descriptions

Table 4-10 describes the UART1 interface pins.

*Note: The names used for pins 45/46 and 47/48 were swapped from Rev.1 to be relative to the host—the pin functionality and signal direction have not changed.*

**Table 4-10: Serial port high-speed UART1 interface<sup>a</sup>**

Signal <sup>b</sup>	Pin <sup>c</sup>	n-wire		Direction wrt host	Description/Notes
		4	8		
UART1_TXD	45	✓	✓	Output	Transmit Data <ul style="list-style-type: none"> <li>UART1 serial data transmit line (modem input)</li> </ul>
UART1_RXD	46	✓	✓	Input	Receive Data <ul style="list-style-type: none"> <li>UART1 serial data receive line (modem output)</li> </ul>
UART1_CTS_N	47	✓	✓	Input	Clear To Send
UART1_RTS_N	48	✓	✓	Output	Request To Send
For 8-wire UART, the DCD, DTR, and DSR signals are duplexed over GPIO, PCM, or SPI lines. See <a href="#">Configure the UART interface</a> on page 43 for details.					
DTR		See note	✓	Output	Data Terminal Ready <ul style="list-style-type: none"> <li>DTR may be used to support low power operation of 4-wire UART. See <a href="#">Configure the UART interface</a> on page 43 for details.</li> </ul>

**Table 4-10: Serial port high-speed UART1 interface<sup>a</sup> (Continued)**

Signal <sup>b</sup>	Pin <sup>c</sup>	n-wire		Direction wrt host	Description/Notes
		4	8		
DCD			✓	Input	Data Carrier Detect
DSR			✓	Input	Data Set Ready
WAKE_N	61		✓	Input	<ul style="list-style-type: none"> <li>Similar to standard UART RI (Ring Indicator)</li> <li>Activation events selected with AT+WWKUP (Ring received, SMS received, etc.)</li> <li>Continues to function regardless of UART service mapping. (For example, can be generated when SMS is received.)</li> <li>Active low signal</li> </ul>

- a. See [Table 4-2](#) on page 33 for additional pin-specific details.  
b. The names used for pins 45/46 and 47/48 were swapped from Rev.1 to be relative to the host—the pin functionality and signal direction have not changed.  
c. All pins are 1V8.

**Table 4-11: Duplexed (reconfigured) UART interface signal groups**

Signal group	DCD	DTR	DSR
<b>GPIO</b>	GPIO_1 (Pin 3)	GPIO_2 (Pin 2)	GPIO_3 (Pin 1)
<b>PCM</b>	PCM_DIN (Pin 66)	PCM_DOUT (Pin 65)	PCM_CLK (Pin 67)
<b>SPI</b>	SPI_CS_N (Pin 11)	SPI_CLK (Pin 12)	SPI_DATA_MOSI (Pin 13)

### 4.6.3 4-wire serial interface

The signals used in this interface are listed in [Table 4-10](#) on page 42.

### 4.6.4 8-wire serial interface

The signals used in this interface are listed in [Table 4-10](#) on page 42 and [Table 4-11](#) on page 43.

The interface uses dedicated signals from the 4-wire interface, and the DCD, DTR, and DSR signals from the reconfigured GPIO, PCM, or SPI pins. The RI is provided by the WAKE\_N signal.

### 4.6.5 Configure the UART interface

Use AT+WHCNF<sup>1</sup> to:

- Enable/disable the UART interface
- Default to 4-wire UART
- Configure the device for 8-wire UART by selecting an I/O signal group (GPIO/PCM/SPI) to use for DCD, DTR, and DSR

- Enable/disable the specific signals. For example, you can enable DTR only for use with 4-wire UART to control low power operation.

### 4.6.5.1 Low power operation

The modem uses AT+WHCNF<sup>1</sup> to configure low power operation in the following ways:

- 8-wire UART with DTR enabled—UART is halted when DTR is deasserted, and resumed when DTR is asserted. See [Configure the UART interface](#) on page 43 for details on enabling the DTR signal.
- 4-wire UART with sleep flag enabled:
  - The UART remains on for 15 seconds after the device boots. If there is no activity on the UART during this period, the UART is stopped.
  - The UART will resume when there is activity on the transmit line (UART1\_TXD). Note that the first character may be missed due to latency. This can be mitigated by sending a spare character (for example, AAT).
  - After no activity for approximately 4 seconds, the UART will be stopped again.
- 4-wire UART with sleep flag disabled—UART never sleeps.

### 4.6.6 Lock the UART interface

On systems that do not have USB support:

- The “HWCFGLOCK”<sup>1</sup> customization may be used to prevent !MAPUART from being changed. This prevents the UART interface from being inadvertently disabled.
- The UART interface should only be used for AT and PDP services.

## 4.7 USIM interface

The AirPrime SL808X Embedded Module includes a 4-wire USIM interface that allows a SIM to be directly connected. [Table 4-12](#) describes the purpose and features of this interface.

**Table 4-12: USIM interface features**

Feature	Details
Purpose	<ul style="list-style-type: none"> <li>• Communicate with USIM socket on host device</li> <li>• Supports regular and embedded SIMs</li> </ul>

---

1. Refer to the [3] *AirPrime MC8xxx Embedded Modules Extended AT Command Reference* for details.

**Table 4-12: USIM interface features (Continued)**

Feature	Details
Implementation	<ul style="list-style-type: none"> <li>Four-wire interface</li> <li>Voltage levels comply with 3GPP standards</li> </ul>
Power	<ul style="list-style-type: none"> <li>1.8 V (3G) or 3.0 V (2G) operation. Compliant with GSM 11.11 recommendations concerning SIM functions.</li> <li>Host must keep current draw <math>\leq 10\text{mA}</math></li> </ul>

## 4.7.1 USIM pin descriptions

Table 4-13 describes the USIM interface pins.

**Table 4-13: USIM interface signals<sup>a</sup>**

Pin	Name	I/O Type <sup>b</sup>	Description	Notes
6	EXT_VREG_USIM		USIM power supply	<ul style="list-style-type: none"> <li>1.8 V (3G) or 3 V (2G).</li> <li>Maximum allowed current draw = 10 mA.</li> </ul>
7	EXT_USIM_RESET		USIM reset signal	
8	EXT_USIM_DATA		USIM data	<ul style="list-style-type: none"> <li>Requires 15–25 k<math>\Omega</math> pull-up resistor to EXT_VREG_USIM.</li> <li>A shunt capacitor may be needed. (PCB provision for capacitor is recommended)</li> <li>Signal rise/fall times must be <math>&lt; 1 \mu\text{s}</math>.</li> </ul>
9	EXT_USIM_CLK		USIM clock	<ul style="list-style-type: none"> <li>Typically 4 MHz at EXT_VREG_USIM level.</li> <li>Host should minimize rise time (<math>&lt; 50 \text{ ns}</math>) by adjusting trace capacitance and filtering needs as required</li> </ul>

a. See [Table 4-2](#) on page 33 for additional pin-specific details.

b. See [Table 4-4](#) on page 39 for type descriptions.

## 4.7.2 Application notes

### 4.7.2.1 Reference schematic

See [Signal reference schematics](#) on page 39 for an implementation of the SIM interface.

### 4.7.2.2 USIM socket pin description

Table 4-14 describes the required USIM socket pins.

**Table 4-14: USIM socket pin descriptions**

Pin	Signal	Description
1	VCC	EXT_VREG_USIM
2	RST	EXT_USIM_RESET
3	CLK	EXT_USIM_CLK
4	-	-
5	GND	GROUND
6	-	-
7	I/O	EXT_USIM_DATA
8	-	-

## 4.8 USB 2.0 interface

The AirPrime SL808X Embedded Module features a USB 2.0 interface for data transfer, modem control, and diagnostic information.

**Table 4-15: USB 2.0 interface features**

Feature	Details
Standards compliance	<ul style="list-style-type: none"> <li>Universal Serial Bus Specification, Rev 2.0</li> <li>CDC 1.1 - ACM compliant</li> </ul>
Performance	<ul style="list-style-type: none"> <li>Optimized for high speed (480 Mbps) Throughput rates may vary significantly based on packet size, host interface, and firmware revision.</li> <li>Support for Full speed (12 Mbps) Throughput performance is on an “as-is” basis and must be characterized by the OEM.</li> </ul>
Power supply	<ul style="list-style-type: none"> <li>VCC supply</li> <li>3.3 V type compatible</li> </ul>
Additional features	<ul style="list-style-type: none"> <li>Firmware download over USB</li> </ul>

## 4.8.1 USB pin descriptions

Table 4-16 describes the USB interface pins.

**Table 4-16: USB interface pins<sup>a</sup>**

Pin	Signal	Description	Notes
50	USB_D+	HS-USB data +	<ul style="list-style-type: none"> <li>Protected against <math>\pm 500\text{V}</math> Human Body Model ESD.</li> <li>ESD suppressor with shunt capacitance <math>&lt; 1\text{ pF}</math> is recommended.</li> <li>Host must ensure D+ and D- traces are well matched and of differential impedance of <math>90\ \Omega</math>. All high-speed differential routing techniques should be applied.</li> <li>Allocate room to accommodate a common-mode choke filter (<math>90\ \Omega</math> impedance) between the module and destination</li> </ul>
51	USB_D-	HS-USB data -	

a. See Table 4-2 on page 33 for additional pin-specific details.

## 4.8.2 Electrical characteristics

Table 4-17 describes the USB interface's electrical characteristics.

**Table 4-17: USB interface electrical characteristics**

Parameter	Mode	Minimum	Maximum	Unit
USB_D+ USB_D-	High speed	360	440	mV
	Full speed	2.8	3.6	V

## 4.8.3 USB configurations

The AirPrime SL808X Embedded Module supports the USB configurations in Table 4-18. The basic service configuration is PRI-dependent, and some services can be excluded, if required.

**Table 4-18: Supported USB configurations**

Configuration	Interfaces	Services
<b>Composite, Direct IP</b>	OBEX, ACM, ECM	CnS, DM, NMEA, AT, DIP data
<b>Composite, MUX-capable</b>	OBEX, ACM	CnS, DM, NMEA, AT, PPP data
<b>Composite</b>	OBEX, ACM	CnS, DM, NMEA, AT, PPP data
<b>Non-composite, MUX-capable</b>	OBEX, ACM	CnS, DM, NMEA, AT, PPP data

## 4.8.4 Reference schematics

See [Signal reference schematics](#) on page 39 for an implementation of the USB interface.

## 4.8.5 USB host drivers

If you will not be using Sierra Wireless drivers, refer to [6] *AirCard/AirPrime USB Driver Developer's Guide* for details on developing your own USB drivers.

### 4.8.5.1 Host driver requirements

The host driver must support:

- USB host in order to interface with the module
- CDC-ADM and OBEX interface types

The host driver may optionally support:

- Low power mode—USB suspend, resume, and remote wakeup as described in [8] Universal Serial Bus Specification, Rev 2.0
- ECM—Ethernet Control Model for Direct IP
- MUX—Sierra Wireless' implementation of the 3GPP 27.010 MUX standard over CDC-ACM

## 4.9 RF interface

The AirPrime SL808X Embedded Module's RF (radio frequency) interface uses two antenna ports for Tx/Rx and GPS. [Table 4-19](#) describes the purpose and features of this interface.

**Table 4-19: RF interface features**

Feature	Details
Purpose	<ul style="list-style-type: none"> <li>• Primary antenna—Rx/Tx</li> <li>• GPS antenna—GPS functionality</li> </ul>
Standard	<ul style="list-style-type: none"> <li>• USB 2.0 compliant</li> <li>• CDC 1.1 - ACM compliant</li> </ul>
Data rates supported	<ul style="list-style-type: none"> <li>• Optimized for high speed (480 Mbps)</li> <li>• Full speed (12 Mbps)—Throughput performance is on an “as-is” basis and must be characterized by the OEM.</li> </ul> <hr/> <p><i>Note: Throughput rates may vary significantly based on packet size, host interface, and firmware revision.</i></p> <hr/>
Enumeration	<ul style="list-style-type: none"> <li>• Windows (using host Windows drivers)—COM ports</li> <li>• Linux (with Sierra Wireless driver)—/dev/ttyUSBn devices</li> </ul>
Additional features	<ul style="list-style-type: none"> <li>• Firmware download over USB</li> </ul>

**Table 4-19: RF interface features**

Feature	Details
Power supply	<ul style="list-style-type: none"> <li>VCC supply</li> <li>3.3 V type compatible</li> </ul>
Impedance	<ul style="list-style-type: none"> <li>Nominal: 50 <math>\Omega</math></li> <li>DC: 0 <math>\Omega</math></li> </ul>

## 4.9.1 RF connections

To protect the antenna lines from baseband signal noise:

- Connection from each antenna port (RF) to the antenna should use a coax cable or a good microstrip/strip line.
- RF trace should be 50  $\Omega$  to avoid mismatch and load pull effects.
- RF connection must be isolated from other high voltage and noisy signals to ensure a good Rx sensitivity level.
- RF traces on the host PCB could be lossy, so should be kept as short as possible.

For more information, see [Figure 8-4, Routing examples](#), on page 103.

## 4.9.2 RF pin descriptions

[Table 4-20](#) describes the RF interface pins.

**Table 4-20: RF interface pins**

Pin	Signal	Description	Notes
<b>RX/Tx antenna</b>			
28	Ground		
29	ANT_PRM	Main (primary) antenna	ESD protected—See [5] <i>Sierra Wireless Reliability Specification</i> for details.
30	Ground		
<b>GPS antenna</b>			
35	Ground		
36	ANT_GPS	GPS antenna	
37	Ground		

## 4.9.3 RF performance

The module's radio transceiver meets the requirements of 3GPP Release 5.

[Table 4-21](#) on page 50 describes supported GSM, WCDMA, and GPS bands, conducted Tx power, and conducted Rx sensitivity.

**Table 4-21: Band support, Conducted Tx Power, and Conducted Rx Sensitivity<sup>a</sup>**

Band	Frequencies (MHz)	SL8080 SL8081	SL8082 SL8083	SL8084 SL8085	Conducted Tx Power		Conducted Rx Sensitivity (dBm)							
					Avg (dBm)	Notes	Coding	Mode	Typ	Worst Case				
<b>GSM bands</b>														
GSM 850	Tx: 824–849 Rx: 869–894	✓	✓	✓	+33 ± 2	GMSK, connectorized (Class 4)	CS1-3 <sup>b</sup> CS4 <sup>c</sup> MCS1-3 <sup>c</sup> MCS4 <sup>c</sup> MCS5 <sup>c</sup> MCS6 <sup>c</sup> MCS7 <sup>c</sup> MCS8 <sup>c</sup> MCS9 <sup>c</sup>	GMSK GMSK GMSK GMSK 8PSK 8PSK 8PSK 8PSK 8PSK	-106 -103 -106 -103.5 -100 -98 -95 -92.5 -90	-102 -99 -102 -99.5 -96 -94 -91 -88.5 -86				
					+27 ± 3	8PSK, connectorized (Class E2)								
EGSM 900	Tx: 880–915 Rx: 925–960	✓	✓	✓	+33 ± 2	GMSK, connectorized (Class 4)								
					+27 ± 3	8PSK, connectorized (Class E2)								
DCS 1800	Tx: 1710–1785 Rx: 1805–1880	✓	✓	✓	+30 ± 2	GMSK, connectorized (Class 1)								
					+26 ± 3	8PSK, connectorized (Class E2)								
PCS 1900	Tx: 1850–1910 Rx: 1930–1990	✓	✓	✓	+30 ± 2	GMSK, connectorized (Class 1)								
					+26 ± 3	8PSK, connectorized (Class E2)								
<b>WCDMA bands<sup>d</sup></b>											<b>Call details</b>	<b>Typ</b>	<b>Worst Case</b>	
Band I WCDMA 2100	Tx: 1920–1980 Rx: 2110–2170		✓	✓	+24 +1/-3	<ul style="list-style-type: none"> <li>Connectorized (Class 3)</li> <li>Nominal conditions</li> </ul>					RMC DL 12.2 kbps; 0.1% BER		-108	-106.7
Band II WCDMA 1900	Tx: 1850–1910 Rx: 1930–1990	✓					-107	-104.7						
Band V WCDMA 850	Tx: 824–849 Rx: 869–894	✓		✓			-108	-104.7						
Band VIII WCDMA 900	Tx: 880–915 Rx: 925–960		✓				-108	-103.7						
<b>GPS</b>														
GPS	1575.42	✓ (SL8080/82/84)												

a. Preliminary values  
 b. 2% Bit Error Rate (BER) circuit switched  
 c. 10% Block Error Rate (BLER)  
 d. WCDMA channel spacing is 5 MHz, but this can be adjusted to optimize performance in a particular deployment scenario.

---

## 4.9.4 GPS specifications

---

*Note: These specifications are preliminary targets that are subject to change without notice. Actual GPS functionality depends on the firmware version and module configuration.*

---

The module provides the following GPS features:

### 4.9.4.1 Standalone GPS

- Leading standalone/autonomous GPS performance
- -145 dBm cold start sensitivity
- -153 dBm hot start sensitivity
- -155 dBm tracking sensitivity
- < 45 seconds average cold start TTFF (Time To First Fix) in open air
- < 3 second average super hot TTFF in open sky
- < 10 m accuracy in open sky

---

*Note: For optimum performance, the modem should be registered on the GSM/UMTS network, but does not need to be on an active data or voice call.*

---

### 4.9.4.2 gpsOneXTRA™

- Enables enhanced standalone GPS operation by downloading < 40 kB file from a server on the Internet
- Performance closer to UE-based operation than traditional standalone GPS operation
- Best if downloaded once every 1–2 days, but valid for up to 7 days with some accuracy degradation

### 4.9.4.3 A-GPS features

- Leading A-GPS performance
  - Exceeds 3GPP RAN 4 AGPS performance specification
- -153 dBm cold start sensitivity
- -155 dBm tracking sensitivity
- < 5 second average cold start TTFF in open sky (UE-based)
- < 3 second average super hot TTFF in open sky
- < 2 m accuracy in open sky 1 Hz tracking with CEP-50
- UMTS Control Plane (CP)—UE-assisted and UE-based
- GSM Control Plane (CP)—UE-assisted and UE-based
- OMA SUPL 1.0 User Plane (UP)—UE-assisted and UE-based

#### 4.9.4.4 Enhanced Navigation 2.0 feature

- Provides leading performance in car and walking navigation modes as well as accuracy while stationary
- Airline/Game/Offline mode
- GPS capability is available while phone is offline

#### 4.9.4.5 NMEA

- Supported sentences: GGA, GSA, GSV, RMC, VTG

#### 4.9.4.6 Software

- GPS monitor application is built into Watcher

### 4.9.5 Antenna specifications

The antenna must meet the requirements specified [Table 4-22](#).

The optimum operating frequency depends on the application. A dual-band, tri-band or quad-band antenna should operate in these frequency bands and have the described characteristics.

**Table 4-22: Main antenna (ANT\_PRI) specification**

Parameter		Min <sup>a</sup>	Typ <sup>a</sup>	Max <sup>a</sup>	Units	Notes
Connection loss		-	-	0.5	dB	Maximum loss to antenna
VSWR		-	-	2.3:1		Maximum allowed VSWR of antenna
Radiated gain	Low bands		0	5 <sup>b</sup>	dBi	
	High bands			3 <sup>c</sup>		

- a. Preliminary values
- b. When Tx power from modem is  $\leq +33$  dBm (2W)
- c. When Tx power from modem is  $\leq +30$  dBm (1W)

---

*Note: Sierra Wireless recommends a maximum VSWR of 1.5:1 for both TX and RX bands. Even so, all aspects of this specification will be fulfilled even with a maximum VSWR of 2:1.*

---

#### 4.9.5.1 Application notes

The following are suggested guidelines for the two antenna ports:

- The antenna should be isolated as much as possible from analog and digital circuitry (including interface signals).
- On applications with an embedded antenna, poor shielding could dramatically affect the receiving sensitivity. Moreover, the power radiated by the antenna could affect the application (TDMA noise, for instance).

- 
- As a general recommendation, all components or chips operated at high frequencies (microprocessors, memories, DC/DC converter) or other active RF parts should not be placed too close to the AirPrime SL808X Embedded Module. In the event that this happens, the correct power supply layout and shielding should be designed and validated.
  - Components near RF connections or unshielded feed lines must be prohibited.
  - RF lines must be kept as short as possible to minimize loss.
  - Primary path common for Tx and Rx should be routed on the host PCB using a 240 micron wide trace with (to withstand high power up to 2W RF) 50  $\Omega$  as impedance up to the antenna connector or launch point. Note: If the impedance of the module is mismatched, RF performance is reduced significantly.
  - Should be protected for ESD using a 8 kV-rated suppressor to avoid damage during antenna assembly, etc. Capacitance should be < 0.2 pF.
  - RF trace and cable connecting the pin to the antenna should be of low loss (<0.3 dB)
  - Antenna connected on the ANT\_PRM port should offer 2:1 or better VSWR in order to maintain Tx power within +/- 2dB from the nominal power and the VSWR could be 2.3:1 or better for the Rx band frequencies.
  - Antenna connected on the ANT\_GPS port should offer 3:1 or better VSWR in order to maintain radiated sensitivity.
  - Antenna location may affect RF performance. Although the module is shielded to prevent interference in most applications, the placement of the antenna is still very important—if the host device is insufficiently shielded, high levels of broadband or spurious noise can degrade the module's performance.
  - Antenna cables should be routed, if possible, away from noise sources (switching power supplies, LCD assemblies, etc.). If the cables are near the noise sources, the noise may be coupled into the RF cable and into the antenna.

## 4.9.6 Radiated emissions

The device alone meets all regulatory emissions limits when tested into a cabled (conducted) 50  $\Omega$  system. With antenna designs with up to 2.3:1 VSWR or worse, the radiated emissions could exceed limits. These emissions must be tested with the final antenna to ensure they pass. Examples of these limits would be FCC Part 22 and Part 24, test case 12.2.1 for GSM (3GPP TS 51.010), and test case 4.2.2 for WCDMA (ETSI EN 301 511).

The system gain value affects both radiated power *and* regulatory (FCC, IC, CE, etc.) test results.

## 4.9.7 Radiated sensitivity measurement

A wireless device contains many sources of noise that contribute to a reduction in Rx performance.

To determine the extent of any desensitization of receiver performance due to self-generated noise in the host device, over-the-air (OTA) or radiated testing is required. This testing can be performed by Sierra Wireless or you can use your own OTA test chamber for in-house testing.

Most carriers require a certain level of receiver performance to ensure proper functioning of the device on their networks. Although AirPrime soldered-down modules have been designed to meet these carrier requirements, they are still susceptible to various performance inhibitors.

## 4.10 Audio interfaces

The AirPrime SL808X Embedded Module supports two audio interfaces (analog and PCM digital) and allows dynamic run-time selection of the appropriate interface:

- [Analog audio interface](#) on page 55
- [Digital audio interface \(PCM\)](#) on page 64

## 4.11 Analog audio interface

The AirPrime SL808X Embedded Module analog audio interface supports one microphone input and one speaker output.

[Table 4-19](#) describes the purpose and features of this interface.

**Table 4-23: Audio interface features**

Feature	Details
Implementation	<ul style="list-style-type: none"> <li>• Supports analog audio processing</li> <li>• Does not provide on-board filtering (except for 0.1 <math>\mu</math>F blocking capacitors on microphone lines)</li> <li>• Host must provide bias and signal filters</li> <li>• Host should terminate unused audio lines with pull-down resistors</li> <li>• ESD protection may be required on audio interface lines</li> </ul>
Features	<ul style="list-style-type: none"> <li>• Echo cancellation and noise reduction</li> <li>• TTY/TDD compatibility through the microphone/speaker connections (Note: TTY/TDD is not supported by the PCM interface.)</li> <li>• On-board FIR/IIR (Finite and Infinite Impulse Response) digital filtering (also through AT)</li> <li>• AGC (Automatic Gain Control)</li> <li>• AVC (Automatic Volume Control)</li> <li>• RVE (Received Voice Enhancement) processing block control via AT command</li> </ul>

### 4.11.1 Pin descriptions

[Table 4-24](#) describes the analog audio interface pins.

**Table 4-24: Analog audio interface connections<sup>a</sup>**

Pin	Name	Description	Notes
53	MIC1_P	Line Audio input	Differential audio input, line level. In series with 0.1 $\mu$ F DC blocking capacitor.
54	MIC1_N	Line Audio input	Differential audio input, line level. In series with 0.1 $\mu$ F DC blocking capacitor.
56	SPK_N	Main speaker	Differential audio output, line level
57	SPK_P	Main speaker	Differential audio output, line level

a. See [Table 4-2](#) on page 33 for additional pin-specific details.

## 4.11.2 Microphone features

The microphone can be connected in either differential or single-ended mode:

- Differential mode—Default method (recommended). Rejects common mode noise and TDMA noise.
- Single-ended mode—Requires good ground plane, filtering and shielding to avoid audio path disturbances. Note that the audio input signal is decreased by 6 dB compared to differential mode.

The gain of both MIC inputs are internally adjusted and can be tuned using AT commands. For more information on AT commands, refer to [3] *AirPrime MC8xxx Embedded Modules Extended AT Command Reference*.

### 4.11.2.1 MIC microphone input

The microphone input has the following features:

- Default mode—Differential. Can also be configured in single-ended mode.
- Includes biasing for electret microphone, which can be directly connected to the input.
- AirPrime SL808X Embedded Module has embedded AC coupling.
- For electrical characteristics, see [Table 4-25](#).

**Table 4-25: MIC input electrical characteristics**

Parameter	Condition	Minimum	Typical	Maximum	Unit
Mic bias voltage <sup>a</sup>			1.8		V
Load impedance		25.6	32		$\Omega$
Full-scale input voltage across MIC1_P and MIC1_N)	0 dB gain	0.89	1	1.12	V <sub>rms</sub>
	24 dB gain	56.2	61.3	70.8	
Gain error (absolute)	0 dB and 24 db gain settings	-1	0.2	1	dB
Output referred noise	0 dB gain, input grounded, A-weighted		-88.92	-88.91	dBFS
	24 dB gain, input grounded, A-weighted		-83.92	-83.92	
Input impedance	Differential mode	16	20	24	k $\Omega$
	Single-ended mode	8	10	12	k $\Omega$
THD+N ratio	0 dB analog gain Input frequency=1.02 kHz Output=-1dBFS	40	90.84		dB
	24 dB analog gain Input frequency=1.02 kHz Output=-1dBFS	40	82.43		dB

**Table 4-25: MIC input electrical characteristics (Continued)**

Parameter	Condition	Minimum	Typical	Maximum	Unit
Input capacitance	At each pin			5	pF
Input offset voltage		-5		5	mV

a. Host must provide 1.8 V supply to bias the MIC lines. Voltage accuracy should be  $\pm 3\%$ .

**Caution:** *The voltage input value for MIC cannot exceed the maximum working voltage; otherwise, clipping will appear.*

### MIC differential connection example

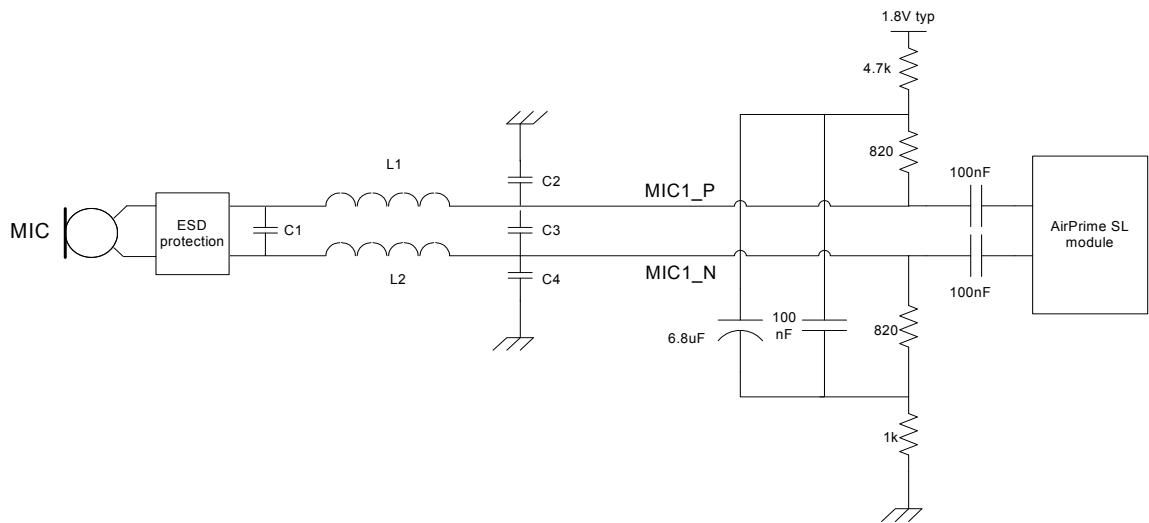


Figure 4-5: Example—MIC differential connection with LC filter

LC filter (L1, L2, C2, C3, C4) considerations:

- Filter is not mandatory. Audio quality may be good enough without it, depending on the design.
- Filter may be used to reduce TDMA noise (from EMI perturbation).
- If no filter is used, capacitors must be removed and the coil replaced by  $0\Omega$  resistors resulting in an equivalent circuit as shown in [Figure 4-6](#) on page 58.

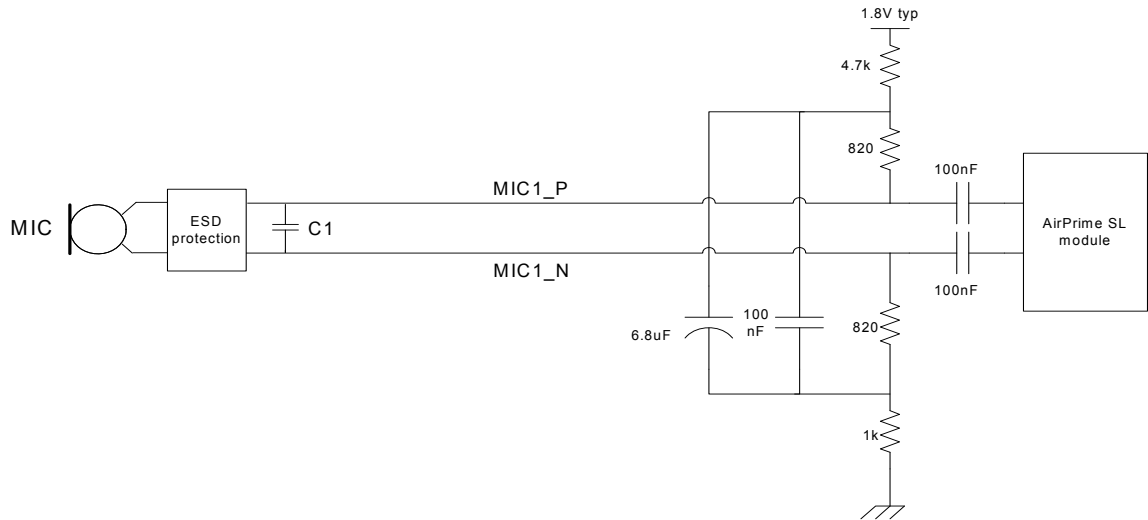


Figure 4-6: Example—MIC differential connection without an LC filter

Capacitor C1 is highly recommended to eliminate TDMA noise and it must be connected close to the microphone.

Table 4-26 lists the recommended components to use in creating the LC filter.

**Table 4-26: Recommended components for a MIC differential connection**

Component	Value	Notes
C1	12–33 pF	Must be tuned depending on the design.
C2, C3, C4	47 pF	Must be tuned depending on the design.
L1, L2	100 nH	Must be tuned depending on the design.

## MIC single-ended connection example

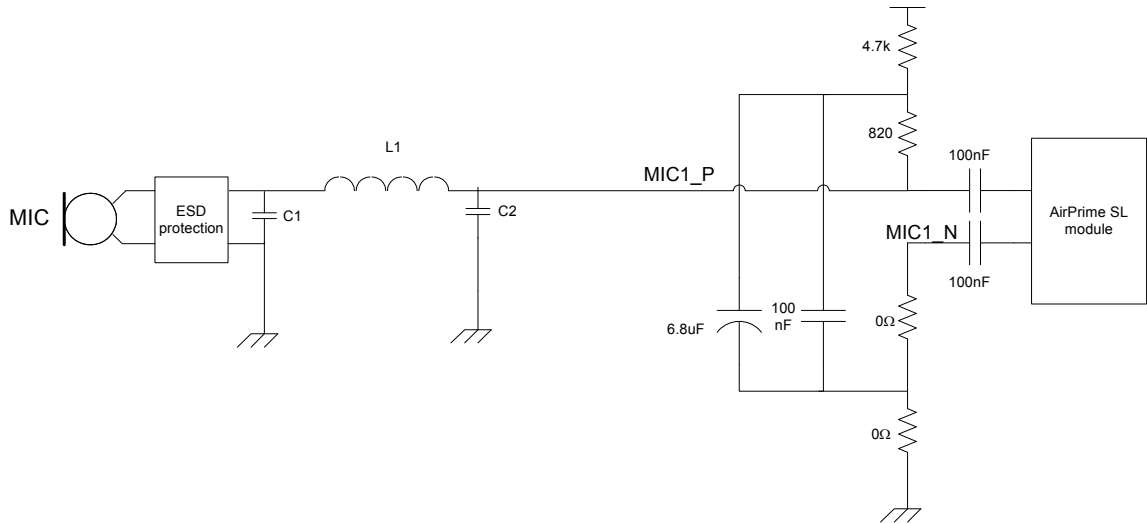


Figure 4-7: Example—MIC single-ended connection with LC filter

Single-ended connection considerations:

- Not recommended for improving TDMA noise rejection as it is usually difficult to eliminate TDMA noise from a single-ended design.
- LC filter (L1 and C2) is recommended (but not mandatory) to eliminate TDMA noise. If no filter is used, capacitor C2 must be removed and the coil replaced by 0Ω resistors resulting in an equivalent circuit as shown in Figure 4-8 on page 59.

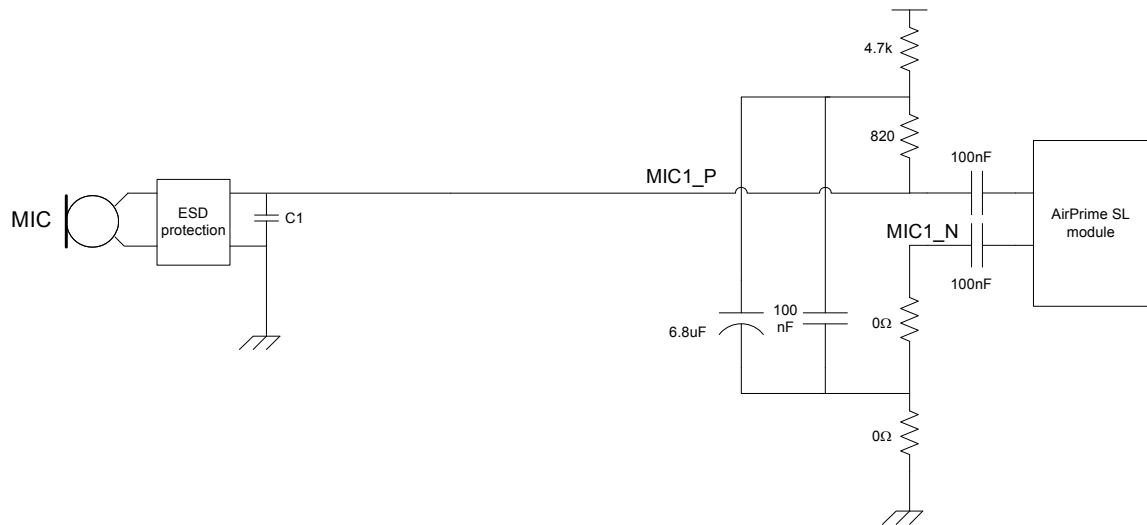


Figure 4-8: Example - MIC single-ended connection without an LC filter

Capacitor C1 is highly recommended to eliminate TDMA noise and it must be connected close to the microphone.

Table 4-27 lists the recommended components to use in creating the LC filter.

**Table 4-27: Recommended components for a MIC single-ended connection**

Component	Value	Notes
C1	12–33 pF	Must be tuned depending on the design.
C2	47 pF	Must be tuned depending on the design.
L1	100 nH	Must be tuned depending on the design.

### 4.11.3 Speaker features

The speaker can be connected in either differential or single-ended mode:

- Differential mode—Default method (recommended). Rejects common mode noise and TDMA noise.
- Single-ended mode—Requires good ground plane, filtering, and shielding to avoid audio path disturbances. Experiences power loss (power is divided by 4 in a single-ended connection) compared to differential connection.

The gain of each speaker output channel is internally adjusted and can be tuned using AT commands. For more information on AT commands, see [3] *AirPrime MC8xxx Embedded Modules Extended AT Command Reference*.

Discreet components (for example, resistors and capacitors) are not needed for this interface.

Table 4-28 lists the typical values of both speaker outputs.

**Table 4-28: Speaker information**

Parameter	Typical	Unit	Connection
Z (SPK_P, SPK_N)	4	$\Omega$	Single-ended mode
Z (SPK_P, SPK_N)	8	$\Omega$	Differential mode

#### 4.11.3.1 Speakers output power

Because SPK can provide more power, it can be connected in differential mode. The maximal specifications given below are available with the maximum power output configuration values set by AT command, and the typical values are recommended.

---

**Caution:** *It is mandatory not to exceed the maximal speaker output power and the speaker load must be in accordance with the gain selection (gain is controlled by AT command). Exceeding beyond the specified maximal output power may damage the AirPrime SL808X Embedded Module.*

---

### 4.11.3.2 SPK speaker output

SPK can have either a single-ended or a differential connection.

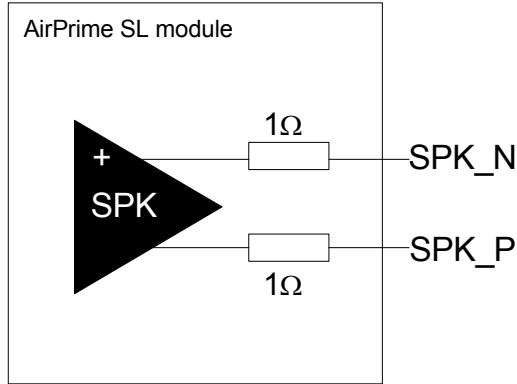


Figure 4-9: SPK equivalent circuit

Table 4-29 describes the speaker's electrical characteristics.

Table 4-29: SPK (receive) path characteristics

Parameter	Condition	Minimum	Typical	Maximum	Unit
DAC to SPK_P/SPK_N full-scale output	f= 1.02 kHz, 0 dBFS input	1.127	1.265	1.419	Vrms
Gain error (absolute)	f= 1.02 kHz, -13 dBFS input	-1		1	dB
SPK_P/SPK_N output power, 4% or less THD+N	f= 1.02 kHz, 0 dBFS	39.7	50	63	mW
DAC to SPK_P/SPK_N gain error relative to gain at -13 dBFS input level	f= 1.02 kHz, -60 dBFS	-1.2		1.2	dB
DAC to SPK_P/SPK_N output noise level	Input=-999 dBFS Fs <sup>a</sup> =8 kHz or 16 kHz; A-weighted			51	μVrms
DAC to SPK_P/SPK_N signal-to-noise ratio	Ratio of full-scale output to output noise level	86.8			dB

**Table 4-29: SPK (receive) path characteristics (Continued)**

Parameter	Condition	Minimum	Typical	Maximum	Unit
<b>DAC to SPK_P/SPK_N power-supply rejection</b>	0 < f < 20 kHz	65			dB
<b>DAC + SPK_P/SPK_N supply current</b>	Rx DAC left enabled; Rx DAC right disabled; SPK_P/SPK_N enabled; input=-999 dBFS Fs <sup>a</sup> =8 kHz			7	mA
<b>DAC + SPK_P/SPK_N supply current</b>	Rx DAC left enabled; Rx DAC right disabled; SPK_P/SPK_N enabled; input=-999 dBFS; Fs <sup>a</sup> =16 kHz			8	mA

a. Fs is the sampling frequency

If a single-ended connection is used, only one of either SPK outputs have to be chosen. The result is a maximal output power divided by 4.

### 4.11.3.3 Differential connection example

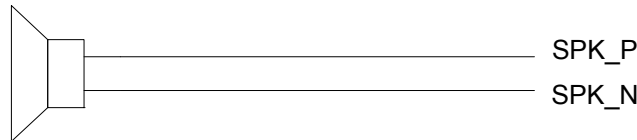


Figure 4-10: Example - SPK differential connection

The impedance of the speaker amplifier output in differential mode is  $R \leq 1 \Omega \pm 10\%$ .

Note that the connection between the speaker and the AirPrime SL808X Embedded Module pins must be designed to keep the serial impedance lower than  $3 \Omega$  when it is connected in differential mode.

### 4.11.3.4 Single-ended connection example

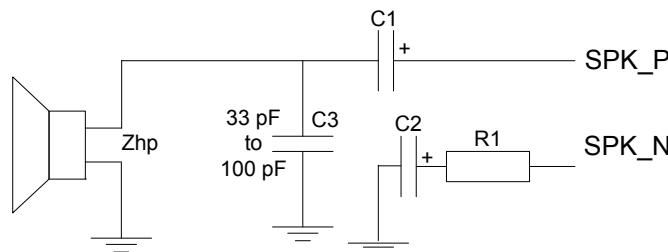


Figure 4-11: Example - SPK single-ended connection

Take note of the following when connecting the speaker in single-ended mode:

- $6.8\mu\text{F} < C1 < 47\ \mu\text{F}$  (depending on the characteristics of the speaker and the output power)
- $C1 = C2$
- $R1 = Z_{hp}$

Again, note that using a single-ended connection includes losing power (-6dB) as compared to a differential connection.

In the case of a  $32\ \Omega$  speaker, a cheaper and smaller solution can be implemented where  $R1 = 82\ \Omega$  and  $C2 = 6.8\mu\text{F}$  (ceramic).

Also note that the connection between the speaker and the AirPrime SL808X Embedded Module pins must be designed to keep the serial impedance lower than  $1.5\ \Omega$  when it is connected in single-ended mode.

### 4.11.3.5 Recommended characteristics

- Type: 10 mW, electro-magnetic
- Impedance:  $8\ \Omega$  for hands-free
- Sensitivity: 110dB SPL minimum (0dB =  $20\ \mu\text{Pa}$ )
- Frequency response must be compatible with GSM specifications

### 4.11.4 Supported voice features

The AirPrime SL808X Embedded Module modem supports the voice-related features listed in [Table 4-30](#), and [Table 4-31](#) details its support for supplementary services.

**Table 4-30: Supported voice features**

Item	Comments
USSD (Unstructured Supplementary Services Data)	This is a GSM-specific capability that supports transmitting information over GSM network signalling channels.
Voice encryption	Both A5/1 and A5/2 voice encryption are supported.
SIM Application Tool Kit with proactive SIM commands (compliant to R96)	3GPP TS 11.14 SIM Application Toolkit commands are stored on the SIM. These commands enable the SIM card to proactively drive the GSM host device and support interactions between the network and the end user.
User-configurable audio prompts	Several audio features, such as 'Incoming Call' and 'New SMS message', can be configured in Watcher.
Multi-party calling	Up to 5 remote parties are supported on a single call, plus an additional party on hold (on a separate call).

**Table 4-31: Supported supplementary services**

Service	Supported by		
	Watcher / CnS	GSM service code	AT command
Calling Line Identification Presentation (Caller ID)	Yes	Yes	Yes
Calling Line Identification Restriction (hides your ID on outgoing calls)	Yes	Yes	Yes
Call Waiting	Yes	Yes	Yes
Call Hold	Yes	Yes	Yes
Multi-party service	Yes	Yes	Yes
<b>Call Forwarding</b>			
Unconditional	Yes	Yes	Yes
on Mobile Subscriber Busy	Yes	Yes	Yes
on No Reply	Yes	Yes	Yes
on Mobile Subscriber Not Reachable	Yes	Yes	Yes
<b>Call Barring</b>			
All outgoing calls	Yes	Yes	Yes
Outgoing international calls	Yes	Yes	Yes
Outgoing international calls (except those directed to the home PLMN country)	Yes	Yes	Yes
All incoming calls	Yes	Yes	Yes
Incoming calls when roaming outside the home PLMN country	Yes	Yes	Yes

## 4.12 Digital audio interface (PCM)

(SL8080/82/84 only)

The SL8080/82/84 module's PCM audio interface features the following characteristics:

- Runs in master mode
- Supports Linear (13-bit), A-Law (8-bit), and  $\mu$ -Law (8-bit) companding algorithms
- Supports 2.048 MHz short frame sync (PCM) and 128 kHz long frame sync (AUX\_PCM) operation

*Note: The PCM interface is not AC97-compliant.*

Note: Some PCM pins may be used to provide DCD, DTR, and DSR signals for 8-wire UART. See [Configure the UART interface](#) on page 43 for details.

**Table 4-32: PCM digital audio interface connections<sup>a</sup>**

Pin	Name	Type <sup>b</sup>	Description	Notes
64	PCM_SYNC	PD	PCM sync	8 KHz pulse that synchronizes frame data in/out.
65	PCM_DOUT	O	PCM output	Frame 'data out' relies on selected configuration mode.
66	PCM_DIN	PD	PCM input	Frame 'data in' relies on selected configuration mode.
67	PCM_CLK	O	PCM clock	2 MHz for primary PCM mode. Controls data transfer with the audio peripheral.

- a. See [Table 4-2](#) on page 33 for additional pin-specific details.
- b. See [Table 4-4](#) on page 39 for type descriptions.

## PCM interface - short frame sync (2.048 MHz)

Figures 4-13, 4-14, 4-15, and [Table 4-33](#) describe the short frame sync (2.048 MHz) PCM interface.

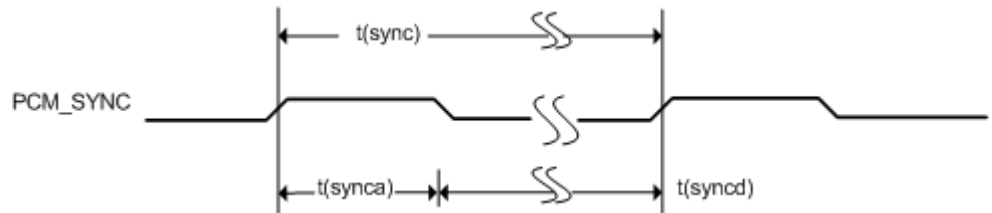


Figure 4-13: Timing diagram—Short frame sync (PCM\_SYNC)

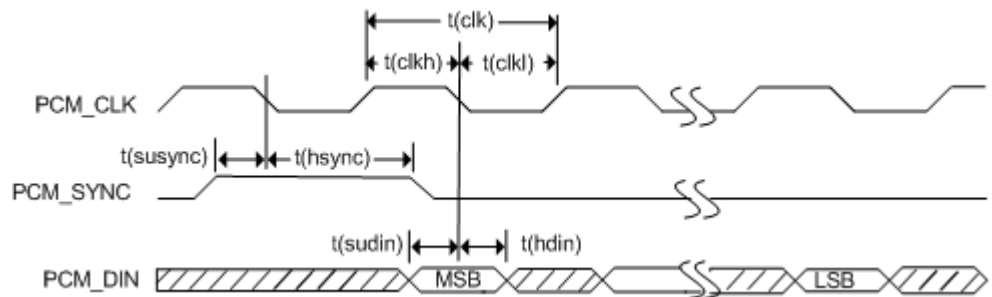


Figure 4-14: Timing diagram—PCM\_CODEC to SL808x

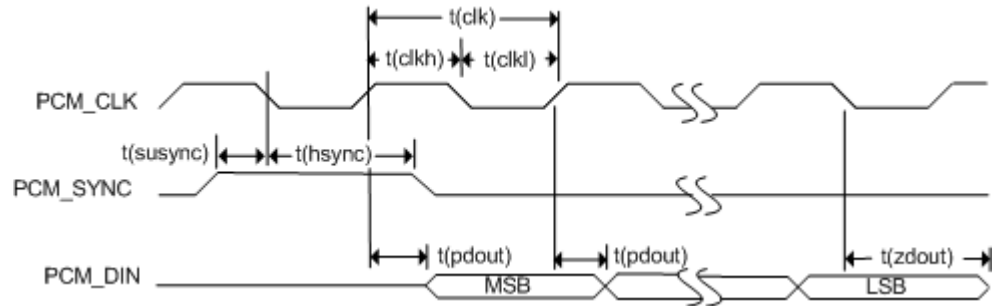


Figure 4-15: Timing diagram—SL808x to external PCM\_CODEEC

**Table 4-33: PCM\_CODEEC short frame sync (2.048 MHz) timing parameters**

Parameter	Description	Min	Typ	Max	Units
t(sync)	PCM_SYNC cycle time (PCM_SYNC_DIR=1)		125		μs
t(synca)	PCM_SYNC asserted time (PCM_SYNC_DIR=1)	400	500		ns
t(syncd)	PCM_SYNC de-asserted time (PCM_SYNC_DIR=1)		124.5		μs
t(clk)	PCM_CLK cycle time (PCM_CLK_DIR=1)		488		ns
t(clkh)	PCM_CLK high time (PCM_CLK_DIR=1)		244		ns
t(clkl)	PCM_CLK low time (PCM_CLK_DIR=1)		244		ns
t(susync)	PCM_SYNC setup time to PCM_CLK falling (PCM_SYNC_DIR = 1, PCM_CLK_DIR = 1)	60			ns
t(hsync)	PCM_SYNC hold time after PCM_CLK falling (PCM_SYNC_DIR = 1, PCM_CLK_DIR = 1)	60			ns
t(sudin)	PCM_DIN setup time to PCM_CLK falling	50			ns
t(hdin)	PCM_DIN hold time after PCM_CLK falling	10			ns
t(pdout)	Delay from PCM_CLK rising to PCM_DOUT valid			350	ns
t(zdout)	Delay from PCM_CLK falling to PCM_DOUT HIGH-Z		160		ns

## Auxiliary PCM (long frame sync, 128 kHz)

(SL8080/82/84 only)

Figures 4-16, 4-17, 4-18, and Table 4-34 describe the long frame sync (128 kHz) PCM interface.

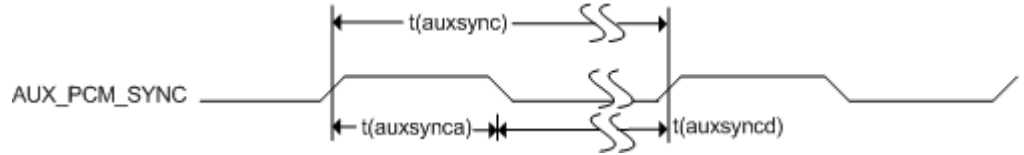


Figure 4-16: Timing diagram—Long frame sync (AUX\_PCM\_SYNC)

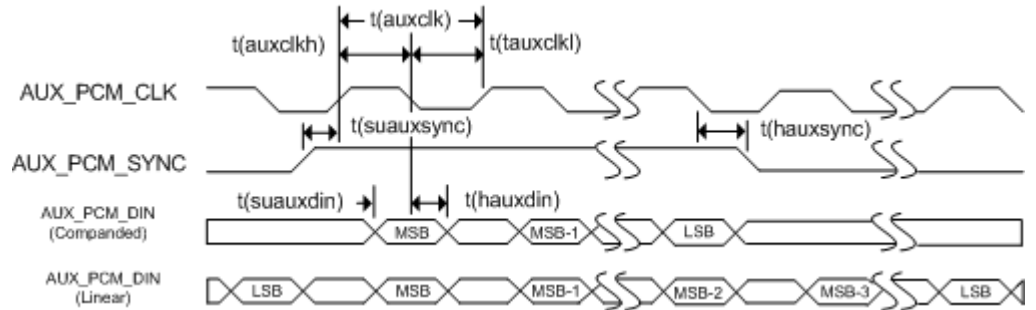


Figure 4-17: Timing diagram—AUX\_PCM\_CODEC to SL808x

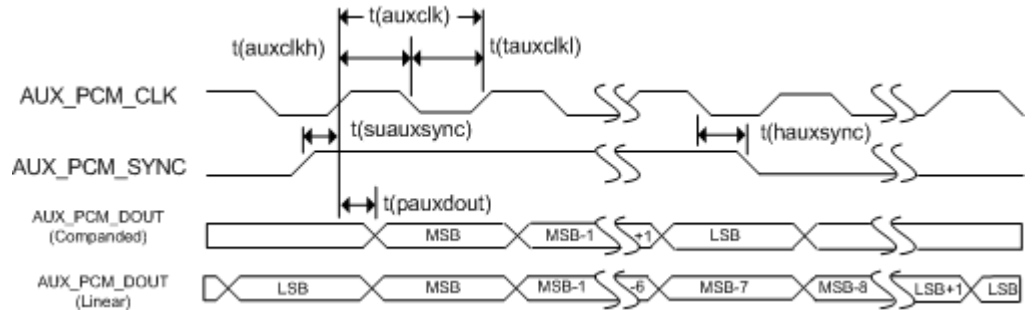


Figure 4-18: Timing diagram—SL808x to AUX\_PCM\_CODEC

Table 4-34: AUX\_PCM\_CODEC timing parameters

Parameter	Description	Min	Typ	Max	Units
t(auxsync)	AUX_PCM_SYNC cycle time		125		μs
t(auxsynca)	AUX_PCM_SYNC asserted time	62.4	62.5		μs
t(auxsyncd)	AUX_PCM_SYNC de-asserted time	62.4	62.5		μs
t(auxclk)	AUX_PCM_CLK cycle time		7.8		μs
t(auxclkh)	AUX_PCM_CLK high time	3.8	3.9		μs
t(auxclk)l	AUX_PCM_CLK low time	3.8	3.9		μs

**Table 4-34: AUX\_PCM\_CODEC timing parameters (Continued)**

Parameter	Description	Min	Typ	Max	Units
t(suauxsync)	AUX_PCM_SYNC setup time to AUX_PCM_CLK rising	1.95			μs
t(hauxsync)	AUX_PCM_SYNC hold time after AUX_PCM_CLK rising	1.95			μs
t(suauxdin)	AUX_PCM_DIN setup time to AUX_PCM_CLK falling	70			ns
t(hauxdin)	AUX_PCM_DIN hold time after AUX_PCM_CLK falling	20			ns
t(pauxdout)	Propagation delay from AUX_PCM_CLK AUX_PCM_DOUT valid			50	ns

## 4.19 JTAG interface

The AirPrime SL808X Embedded Module includes a six-wire JTAG interface.

A six-wire JTAG ZIF connector may be installed to allow Sierra Wireless to use the interface for debugging/testing. (See [JTAG connector](#) on page 121 for recommended suppliers.)

If platform issues arise, contact Sierra Wireless for assistance.

## 4.20 Short Message Service (SMS)

[Table 4-35](#) summarizes the SL808X module’s compliance with specific SMS features:

**Table 4-35: SMS features**

Feature	Supported
Mobile-terminated SMS	✓
Mobile-originated SMS	✓
Point-to-Point messaging	✓
Cell Broadcast messaging	✗

## 4.21 UMTS radio access bearers supported

The SL808X modem supports the majority of the radio access bearers specified in 3GPP TS 34.108. If you require a detailed list, contact Sierra Wireless.

## >> 5. Signals and Indicators

### 5.1 Overview

This chapter describes signals for control and handshaking of the AirPrime SL808X Embedded Module from the host ([Table 5-1](#)), and describes how the system implements Smart Error Detection using those signals.

**Table 5-1: Available signals**

Name	AT command support
Power on/off signal ( <a href="#">POWER_ON_N</a> ) on page 70	
Reset Signal ( <a href="#">SYSTEM_RESET_N</a> ) on page 72	✓
Wake signal ( <a href="#">WAKE_N</a> ) on page 75	✓
Disable signal ( <a href="#">W_DISABLE_N</a> ) on page 76	✓
Buzzer output ( <a href="#">BUZZER_EN</a> ) on page 78	✓
Flash LED ( <a href="#">LED_FLASH</a> ) on page 79	✓
Power rail ( <a href="#">VREF_1V8</a> ) on page 80	
Reserved on page 81	

## 5.2 Power on/off signal (POWER\_ON\_N)

The POWER\_ON\_N signal is an active-low input that controls the module’s power state.

**Table 5-2: POWER\_ON\_N signal features**

Feature	Details
Purpose	Power modem on/off
Implementation	<ul style="list-style-type: none"> <li>Digital input with internal pull up.</li> <li>1.8 V logic</li> <li>Active low</li> <li>Signal driven only by open-drain output from the host.</li> </ul>

### 5.2.1 Pin descriptions

[Table 5-3](#) describes the POWER\_ON\_N signal pins.

See [Digital I/O electrical information](#) on page 38 for 1V8 voltage characteristics.

**Table 5-3: ON/~OFF signal pin description**

Pin	Signal	I/O	I/O type	Description
43	POWER_ON_N	I	CMOS	Embedded module power-on

### 5.2.2 Electrical characteristics

**Caution:** All external signals must be inactive when the AirPrime SL808X Embedded Module is OFF to avoid any damage when starting and to allow the embedded module to start and stop correctly.

Refer to [Table 4-2](#) on page 33 for basic characteristics (type, voltage).

### 5.2.3 Application notes

**Caution:** This section is under review and subject to change.

#### 5.2.3.1 Signal timing

[Figure 5-1](#) and [Table 5-4](#) describe the timing sequence for powering the device on and off.

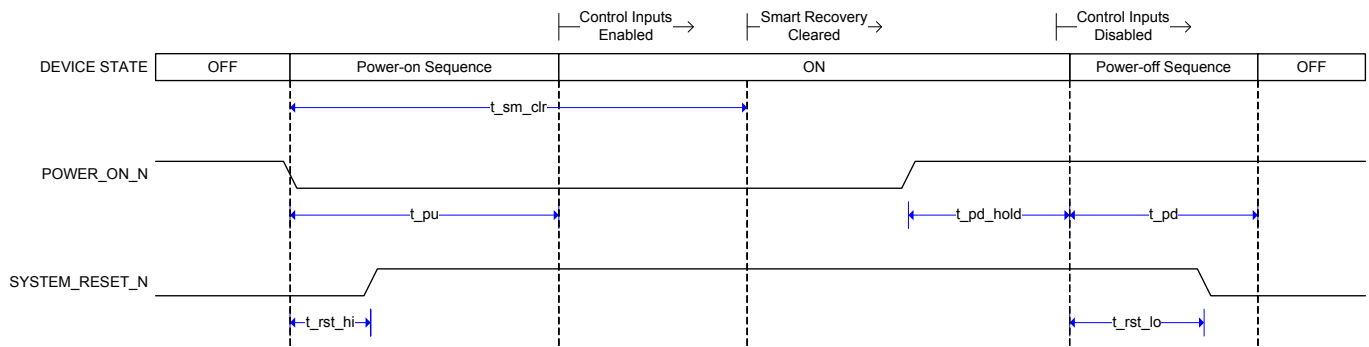


Figure 5-1: POWER\_ON\_N signal timing

Table 5-4: POWER\_ON\_N signal timing parameters

Parameter	Description	Period		
		Min	Typ	Max
<b>t<sub>pu</sub></b>	Power up—Time required to boot device and reach device ready state.	5 s	-	7 s
<b>t<sub>pd_hold</sub></b>	Power down hold—Time required to acknowledge POWER_ON_N deassertion.	500 ms	-	-
<b>t<sub>pd</sub></b>	Power down—Time required to power device off after POWER_ON_N is acknowledged	700 ms	-	-
<b>t<sub>sm_clr</sub></b>	Smart recovery cleared—Time between booting device and reaching smart recovery mechanism disabled state.	-	20 s	-
<b>t<sub>rst_hi</sub></b>	Reset high—Time between POWER_ON_N assertion and SYSTEM_RESET_N deassertion.	-	400 ms	-
<b>t<sub>rst_lo</sub></b>	Reset low—Time between initiating power-off sequence and SYSTEM_RESET_N assertion.	-	1 s	-

## 5.3 Reset Signal (SYSTEM\_RESET\_N)

The SYSTEM\_RESET\_N signal is a bi-directional line that initiates a modem reset or indicates the modem’s reset condition.

**Table 5-5: Reset signal features**

Feature	Details
Purpose	Reset modem <ul style="list-style-type: none"> <li>Used by host to reset the modem.</li> </ul>
Implementation	<ul style="list-style-type: none"> <li>Digital input</li> <li>1.8 V logic</li> <li>Host to provide a 100 kΩ pull-up resistor</li> <li>Initiates modem reset when driven externally.</li> <li>Indicates modem processor reset condition when not driven externally.</li> <li>Internally driven. Logic high state may be overridden by pulling it low via an open drain sink that is capable of ≥ 10 mA.</li> </ul> <hr/> <p><i>Note: This pin is also required for JTAG programming.</i></p> <hr/>

**Caution:** Holding SYSTEM\_RESET\_N low for long periods of time could result in the module being held in a high power consumption state. Current draw varies depending on hardware state at time of signal assertion; > 50 mA is not uncommon.

### 5.3.1 Pin descriptions

Table 5-6 describes the SYSTEM\_RESET\_N signal pin.

**Table 5-6: Reset signal pin description<sup>a</sup>**

Pin	Signal	I/O	I/O type	Description
63	SYSTEM_RESET_N	I	Digital	Embedded module reset

a. See Table 4-2 on page 33 for additional pin-specific details.

## 5.3.2 Electrical characteristics

Table 5-7 describes the reset signal's electrical characteristics.

Refer to Table 4-2 on page 33 for basic characteristics (type, voltage).

**Table 5-7: Reset signal electrical characteristics**

Parameter	Minimum	Typical	Maximum	Unit
$V_H^a$	0.57			V
$V_{IL}$	0		0.57	V
$V_{IH}$	1.33			V

a.  $V_H$ : Hysterisis voltage

## 5.3.3 Application notes

**Caution:** This section is under review and subject to change.

### 5.3.3.1 Signal timing

Figure 5-2 and Table 5-8 describe the timing sequence for resetting the device.

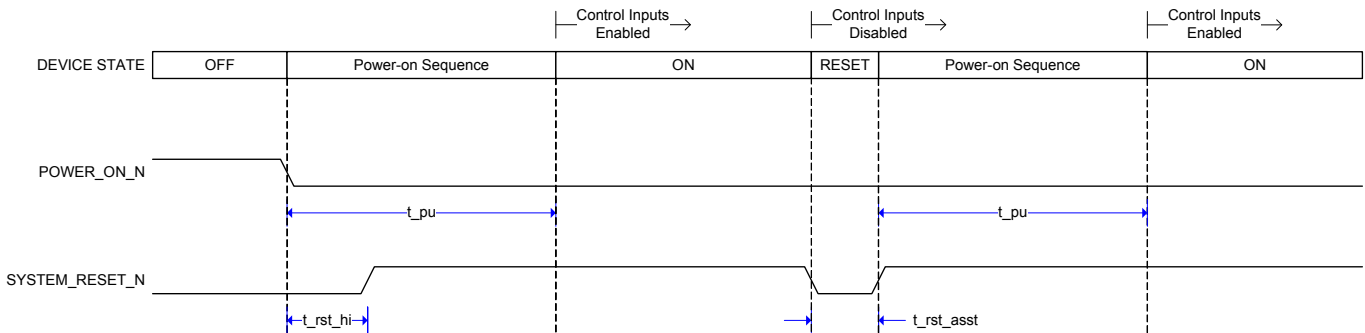


Figure 5-2: SYSTEM\_RESET\_N signal timing

**Table 5-8: SYSTEM\_RESET\_N signal timing parameters**

Parameter	Description	Period		
		Min	Typ	Max
<b>t<sub>pu</sub></b>	Power up—Time required to boot device and reach device ready state.	5 s	-	7 s
<b>t<sub>rst_hi</sub></b>	Reset high—Time between POWER_ON_N assertion and SYSTEM_RESET_N deassertion.	-	400 ms	-
<b>t<sub>rst_asst</sub></b>	Reset assert—Time required to initiate a reset by holding SYSTEM_RESET_N low externally.	40 ms	100 ms	-

---

*Note: An operating system reset is preferred to a hardware reset.*

---

### 5.3.3.2 General notes

- This reset line should not be driven unless the host needs to enforce a baseband reset by asserting a logic low.
- An open collector or open drain transistor can be used. If an open collector is chosen, T1 can be a ROHM DTC144EE.

**Table 5-9: Reset settings**

Reset command	SYSTEM_RESET_N (Pin 63)	Operating mode
1	0	Reset activated
0	1	Reset inactive

---

## 5.4 Wake signal (WAKE\_N)

This signal is used by the AirPrime SL808X Embedded Module to wake the host when a predetermined condition is satisfied (such as when a call is received).

**Table 5-10: Wake signal features**

Feature	Details
Purpose	Wake Host interface <ul style="list-style-type: none"><li>Wake host when a predetermined condition is satisfied (for example, when a call is received).</li></ul>
Implementation	<ul style="list-style-type: none"><li>Low = On</li><li>Active low, 1.8 V logic.</li><li>During the powered-off state, this pin may not be in a high impedance state. The host side must implement appropriate measures to accommodate this.</li></ul>

### 5.4.1 Pin descriptions

[Table 5-11](#) describes the wake signal pin.

**Table 5-11: Wake signal pin description<sup>a</sup>**

Pin	Signal	I/O	I/O type	Description
61	WAKE_N	O	Digital	Wake Host interface

a. See [Table 4-2](#) on page 33 for additional pin-specific details.

### 5.4.2 Electrical characteristics

Refer to [Table 4-2](#) on page 33 for basic characteristics (type, voltage).

## 5.5 Disable signal (W\_DISABLE\_N)

This signal is used by the host to disable (or enable) the AirPrime SL808X Embedded Module's RF connection.

**Table 5-12: Wireless Disable signal features**

Feature	Details
Purpose	Wireless disable <ul style="list-style-type: none"> <li>Used by host to disable or enable low power mode ('airplane mode').</li> </ul>
Implementation	<ul style="list-style-type: none"> <li>Low = Put module in airplane mode</li> <li>Digital input.</li> <li>Active low</li> <li>1.8 V logic</li> <li>Host to provide a pull-up resistor of 50-100 kΩ.</li> </ul>

### 5.5.1 Pin descriptions

Table 5-13 describes the wireless disable signal pin.

**Table 5-13: Wireless disable signal pin description<sup>a</sup>**

Pin	Signal	I/O	I/O type	Description
62	W_DISABLE_N	I	Digital	Wireless disable

a. See Table 4-2 on page 33 for additional pin-specific details.

### 5.5.2 Electrical characteristics

Refer to Table 4-2 on page 33 for basic characteristics (type, voltage).

### 5.5.3 Application notes

---

**Caution:** *This section is under review and subject to change.*

---

### 5.5.3.1 Signal timing

Figure 5-3 and Table 5-14 describe the timing sequence for entering/exiting low power mode ('airplane mode').

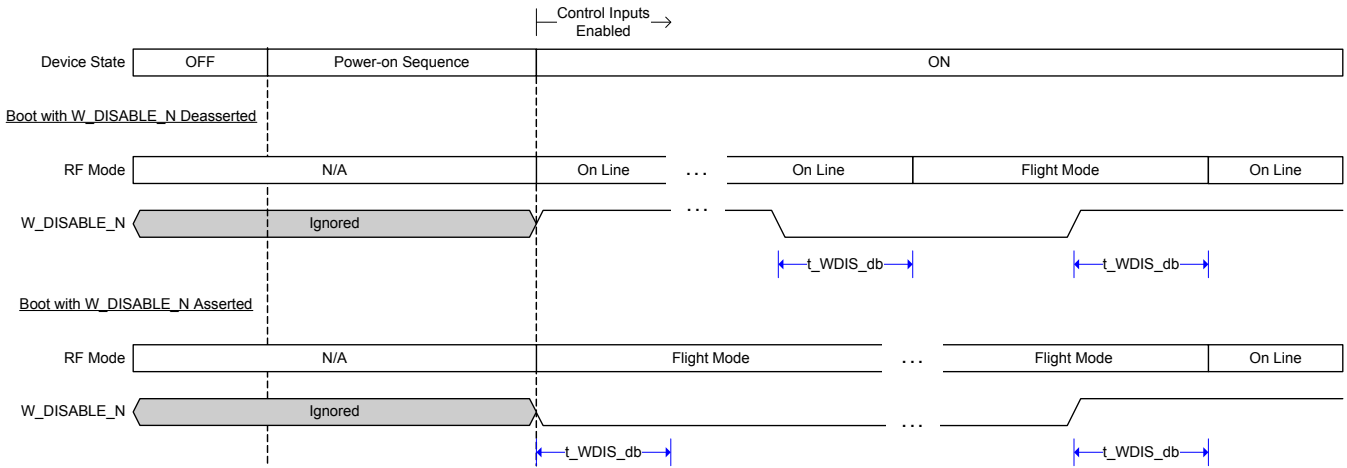


Figure 5-3: W\_DISABLE\_N signal timing

Table 5-14: W\_DISABLE\_N signal timing parameters

Parameter	Description	Period		
		Min	Typ	Max
$t_{WDIS\_db}$	W_DISABLE_N Debounce—Time between changing W_DISABLE_N logic level and RF mode changing.	5 s	-	7 s

## 5.6 Buzzer output (BUZZER\_EN)

This signal is used in the implementation of a buzzer circuit.

**Table 5-15: Buzzer signal features**

Feature	Details
Purpose	Enable off-board buzzer
Implementation	<ul style="list-style-type: none"> <li>Binary I/O used by host as a buzzer enable line</li> </ul>

### 5.6.1 Pin descriptions

[Table 5-16](#) describes the wireless disable signal pin.

**Table 5-16: Buzzer output pin description<sup>a</sup>**

Pin	Signal	I/O	I/O type	Reset state
68	BUZZER_EN	O	Digital	Z

a. See [Table 4-2](#) on page 33 for additional pin-specific details.

### 5.6.2 Electrical characteristics

Refer to [Table 4-2](#) on page 33 for basic characteristics (type, voltage).

## 5.7 Flash LED (LED\_FLASH)

This digital output may be used to drive a general purpose LED.

**Table 5-17: LED signal features**

Feature	Details
Purpose	Flash LED output <ul style="list-style-type: none"><li>Used by host to control LED status by controlling LED diode bias.</li></ul>
Implementation	<ul style="list-style-type: none"><li>Digital output. 1.8 V logic</li><li>Source/sink maximum—8 mA</li><li>LED behavior can be configured by adjusting software settings.</li><li>LED pattern can be used to indicate network connection status.</li><li>Blink rate up to 10 Hz supported</li></ul>

### 5.7.1 Pin descriptions

Table 5-18 describes the LED signal pin.

**Table 5-18: LED\_FLASH pin description<sup>a</sup>**

Pin	Signal	I/O	I/O type	Reset state	Description
60	LED_FLASH	O	Digital	1 and Undefined	LED driving

a. See Table 4-2 on page 33 for additional pin-specific details.

### 5.7.2 Electrical characteristics

Table 5-19 describes the LED\_FLASH signal's electrical characteristics.

Refer to Table 4-2 on page 33 for basic characteristics (type, voltage).

**Table 5-19: LED\_FLASH signal electrical characteristics**

Parameter	Condition	Minimum	Typical	Maximum	Unit
V <sub>OL</sub>		0		0.45	V
V <sub>OH</sub>		1.35		1.80	V
I <sub>OUT</sub>				8	mA

## 5.8 Power rail (VREF\_1V8)

The AirPrime SL808X Embedded Module includes a rail that the host uses to provide a 1.8 V logic reference (maximum limit) for the pins listed in [Table 5-21](#) on page 80.

### 5.8.1 Pin descriptions

[Table 5-20](#) describes the VREF\_1V8 output pin.

See [Digital I/O electrical information](#) on page 38 for 1V8 voltage characteristics and reset state definitions.

**Table 5-20: VREF\_1V8 pin descriptions**

Pin	Signal	I/O	I/O type	Description
10	VREF_1V8	O	Supply	1.8 V digital supply

**Table 5-21: 1.8 V connector pins**

Pin	Signal name	Description
1	GPIO_3	General Purpose I/O
2	GPIO_2	General Purpose I/O
3	GPIO_1	General Purpose I/O
6	EXT_VREG_USIM <sup>a</sup>	USIM VCC supply
7	EXT_USIM_RESET <sup>a</sup>	USIM reset
8	EXT_USIM_DATA <sup>a</sup>	USIM I/O pin
9	EXT_USIM_CLK <sup>a</sup>	USIM clock
11	SPI_CS_N	SPI chip select
12	SPI_CLK	SPI clock
13	SPI_DATA_MOSI	SPI data (Master Output / Slave Input)
14	SPI_DATA_MISO	SPI data (Master Input / Slave Output)
45	UART1_RXD	UART Receive Data
46	UART1_TXD	UART Transmit Data
47	UART1_RTS_N	UART Request To Send
48	UART1_CTS_N	UART Clear To Send
64	PCM_SYNC	PCM sync
65	PCM_DOUT	PCM data output
66	PCM_DIN	PCM data input
67	PCM_CLK	PCM clock
63	SYSTEM_RESET_N	Reset

**Table 5-21: 1.8 V connector pins (Continued)**

Pin	Signal name	Description
62	W_DISABLE_N	Wireless disable
63	WAKE_N	Wake Host Interface
60	LED_FLASH	LED driver

a. USIM interface may be configured as 1.8 V or 3.0V.

Each digital output has a maximum current of 8 mA.

## 5.8.2 Electrical characteristics

Table 5-22 describes the power rail signal's electrical characteristics.

**Table 5-22: VREF\_1V8 signal electrical characteristics**

Parameter		Minimum	Typical	Maximum	Unit
VREF_1V8	Output voltage	1.65	1.8	1.95	V
	Output current			1	mA

## 5.8.3 Application notes

**Caution:** *This section is under review and subject to change.*

### 5.8.3.1 VREF\_1V8—1.8 V logic reference

*Note: VREF\_1V8 is only available when the AirPrime SL808X Embedded Module is ON.*

The following are good design practices to consider:

- Total current draw must be < 1 mA.
- If used as a reference only (host provides its own pull-up voltage rail), a 100  $\Omega$  resistor should be put in series.
- Depending on the host PCB trace length for this signal, PCB provision for decoupling capacitors may be required.

## 5.9 Reserved

The AirPrime SL808X Embedded Module includes pins that may not be used in your host design. These pins should be handled in the following ways:

- Pins marked 'Reserved - DNC'—Leave these pins untouched. (See Table 4-2 on page 33 for pin assignments/names.)
- Unused inputs/outputs on specific interfaces (USB, USIM, etc.)—Leave as no-connects.



## 6. Power Consumption

*Note: All specifications in these tables are preliminary, based on chipset published expectations.*

The power consumption numbers listed in this section are for the AirPrime SL808X Embedded Module module connected to the host PC via USB. The module does not have its own power source and depends on the host device for power. Typical values are measured at room temperature, and minimum and maximum values are measured over the entire operating temperature range. For a description of input voltage requirements, see [Power supply](#) on page 23.

**Table 6-1: Averaged standby DC power consumption<sup>a</sup>**

Signal	Description	Bands	Typ	Max	Units	Notes / Configuration
VCC	<b>Standby current consumption with Sleep mode activated</b> (assumes USB bus is fully suspended during measurements)					
	HSDPA / WCDMA	UMTS bands	3.5	4.2	mA	• DRX cycle = 8 (2.56 s)
	GSM / GPRS / EDGE	GSM bands	4	4.7	mA	• MFRM = 5 (1.175 s)
	<b>Standby current consumption with Sleep mode deactivated</b> (assumes USB bus is fully suspended during measurements)					
	HSDPA / WCDMA	UMTS bands	55	65	mA	• DRX cycle = 8 (2.56 s) • Module power up and idle (Assumes sleep mode is never entered)
	GSM / GPRS / EDGE	GSM bands	55	65	mA	• MFRM = 5 (1.175 s) • Module power up and idle (Assumes sleep mode is never entered)
	<b>Low Power Mode (LPM) / Offline Mode</b>					
	RF disabled, but module is operational			1	2	mA

a. All measurements are preliminary/estimated non-optimized values

**Table 6-2: Averaged call mode data DC power consumption<sup>a</sup>**

Mode	Band	Tx power	Current (at 3.6V)				Conditions	
			Peak (mA) <sup>b</sup>	Average (mA)				
WCDMA <sup>c</sup>	Band 1	+23	550	500				
		0	190	190				
	Band 8	+23	550	500				
		0	180	180				
HSDPA <sup>c</sup>	Band 1	+23	570	520				
		0	210	210				
	Band 8	+23	570	520				
		0	200	200				
GSM / GPRS <sup>d</sup>				1 slot	2 slots	3 slots	4 slots	<ul style="list-style-type: none"> <li>• Class 10</li> <li>• 50 ohms</li> <li>• 2.3:1 VSWR</li> </ul>
	850	+32	1320	220	360	-	-	
	900	+32	1610	260	425	-	-	
	1800	+30	1000	180	285	-	-	
	1900	+30	860	165	260	-	-	
EDGE	850	+27	860	170	260	340	400	<ul style="list-style-type: none"> <li>• Class 12</li> <li>• 50 ohms</li> <li>• 2.3:1 VSWR</li> </ul>
	900	+27	960	180	280	360	430	
	1800	+26	740	150	230	290	340	
	1900	+26	660	150	220	270	300	

- a. Includes USB bus current.
- b. Peak consumption averaged over 100µs.
- c. Current consumption increases by 50 mA with a 6 dB return loss-based load-pull.
- d. GSM mode peak current increases to 2.2A (from nominal 1.6–1.7A) with 6 dB return loss-based load-pull.

**Table 6-3: Miscellaneous DC power consumption<sup>a</sup>**

Signal	Description	Band	Typ	Units	Notes/Configuration
VCC	Module OFF leakage current	All bands	35	µA	<ul style="list-style-type: none"> <li>• Full operating temperature range</li> </ul>
	USB transmit current	All bands	10 <sup>b</sup>	mA	<ul style="list-style-type: none"> <li>• Full speed USB connection, C<sub>L</sub> = 50 pF on D+ and D- signals</li> </ul>

- a. All measurements are preliminary values
- b. Typical value for MC8790 modem used as estimate

**Table 6-4: Supported GPRS / EDGE power classes**

Feature	Notes
EGSM 900/GSM 850 Power Class 4	2 W 33 dBm
GSM 1800/1900 Power Class 1	1 W 30 dBm
EDGE Power Class for 850/900 MHz	Class E2 <sup>a</sup> ; 27 dBm, 0.5 W
EDGE Power Class for 800/1900 MHz	Class E2 <sup>a</sup> ; 26 dBm, 0.4 W

a. E2 power class applies to 8PSK modulation.

## 6.1 Power states

The SL808X module has five power states as detailed in [Table 6-5](#).

**Table 6-5: Supported SL808X power states**

State	Description	Host powered	Modem running	USB interface active	RF enabled
<b>Normal</b>	<ul style="list-style-type: none"> <li>Capable of placing/receiving calls or establishing data connections on network</li> <li>USB interface is fully active</li> <li>Current consumption in a call or data connection is affected by:               <ul style="list-style-type: none"> <li>Radio band in use</li> <li>Tx power</li> <li>Receive gain settings</li> <li>Data rate</li> <li>Number of active Tx time slots</li> </ul> </li> <li>Module defaults to Normal state when VCC is first applied, if POWER_ON_N is held low.</li> </ul>	✓	✓	✓	✓
<b>Airplane Mode (RF off)</b>	<ul style="list-style-type: none"> <li>'Airplane' mode—Rx/Tx are disabled; USB interface is active</li> <li>State entered automatically when critical voltage/temperature thresholds are exceeded. Host should consider powering off module to prevent damage to unit.</li> </ul>	✓	✓	✓	✗
<b>Sleep (Idle Mode)</b>	<ul style="list-style-type: none"> <li>Normal module state between RF activity</li> <li>Module cycles between wake (polling the network) and sleep, at network provider-determined interval.</li> </ul>	✓	✓	✗	✗
<b>Off</b>	<ul style="list-style-type: none"> <li>Host power is connected</li> <li>Module is powered down (drawing minimal current from host power supply)</li> </ul>	N/A	✗	✗	✗
<b>Disconnected</b>	<ul style="list-style-type: none"> <li>Host power is disconnected from module</li> <li>All module-related voltages are at 0 V.</li> </ul>	✗	✗	✗	✗

### 6.1.1 Power state transitions

The module monitors supply voltage and operating temperature and notifies the host when critical threshold limits are exceeded. (See Table 6-6 for details.)

Power state transitions may occur:

- Automatically, when critical supply voltage or module temperature trigger levels are encountered. See Figure 6-1 for details.
- Under host control, using available AT or CnS commands in response to user choices (for example, opting to switch to airplane mode) or operating conditions.

**Table 6-6: Power state transitions (including voltage/temperature trigger levels)**

Transition	Voltage		Temperature		Notes
	Trigger	V	Trigger	°C	
Normal to Low Power	VOLT_HI_CRIT	4.35	TEMP_LO_CRIT	-25	<ul style="list-style-type: none"> <li>• RF suspended</li> <li>• CNS_RADIO_POWER notification issued<sup>a</sup></li> </ul>
	VOLT_LO_CRIT	3.00	TEMP_HI_CRIT	108	
Low Power to Normal	VOLT_HI_NORM	3.90	TEMP_NORM_LO	-15	<ul style="list-style-type: none"> <li>• RF resumed</li> <li>• CNS_RADIO_POWER notification issued<sup>a</sup></li> </ul>
Low Power to Normal or Remain in Normal (remove warnings)	VOLT_LO_NORM	3.60	TEMP_HI_NORM	85	
Normal (issue warning)	VOLT_LO_WARN	3.40	TEMP_HI_WARN	95	<ul style="list-style-type: none"> <li>•</li> </ul>
Power off/on (host-initiated)	-	-	-	-	<ul style="list-style-type: none"> <li>• Power off recommended when supply voltage or module operating temperature is critically low or high.</li> </ul>

a. Notification issued only if previously enabled. See [4] AirPrime UMTS MiniCard CnS Reference for details.

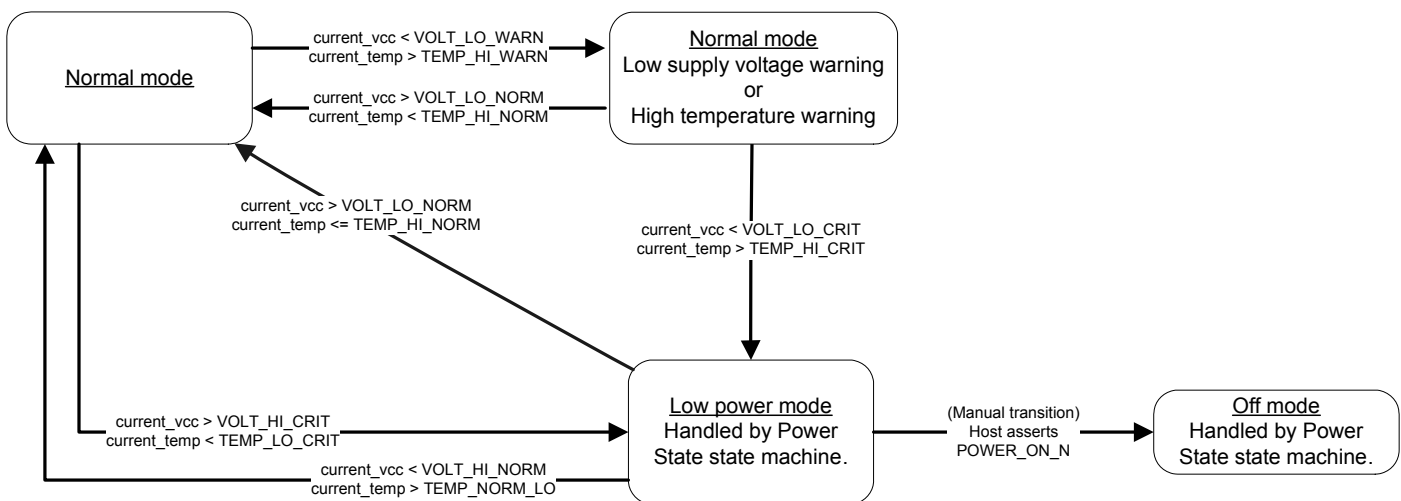


Figure 6-1: Automatic ('triggered') power state transitions

## 7. Network technology specifications

### 7.1 UMTS WCDMA FDD specifications

The SL808X supports the common WCDMA FDD specifications listed in [Table 7-1](#).

**Table 7-1: Supported WCDMA FDD specifications**

Item
<b>Physical layer specifications</b>
DL Channels: BCH, PCH, FACH, DCH, AICH, CPICH
UL Channels: RACH, DCH
Measurement for PCCPCH RSCP RSCP/SIR
BTFD
CCTrCH As defined by examples in 25.944
Multifinger support
Cell reselection
Soft handover
Power control
PICH / DRX
Measurement for SFN / CFN timing, SFN / SFN timing
Cell selection
<b>RLC specifications</b>
TM / UM / AM
Max AM entities (4) <ul style="list-style-type: none"> <li>• 3 for signalling</li> <li>• 1 for user data</li> </ul>
Only timer based polling for AM
No timer based SDU discard for TM / UM / AM
Poll PU polling for AM
Poll prohibit

**Table 7-1: Supported WCDMA FDD specifications**

Item
Polling options: Last ReTX PU Poll, Poll Window, Poll SDU
Status report transfer: Timer Status, Status Prohibit, Missing PU indicator
Reset procedure: Indication to RRC
Suspend / Resume
Timer based SDU discard (UM / AM / TM)
Status report transfer: Piggybacked Status PDUs, EPC based transfer
SUFIs: Sending BITMAP and RLIST
Start / stop for all three modes
RRC Specifications
Cell selection
RRC connection establishment
RRC connection release
System information processing
Idle mode paging
Dedicated mode paging
Initial direct transfer
Uplink direct transfer
Downlink direct transfer
Signalling connection release
Signalling connection release request
Radio bearer establishment
Radio bearer release
Cell update
UE capability enquiry
Transmission of UE capability
Cell reselection
Measurement control
Measurement reporting
Soft HO/Active Set update
DRX mode
NV support for RRC channel scan

**Table 7-1: Supported WCDMA FDD specifications**

Item
Radio bearer reconfiguration
Transport channel reconfiguration
Physical channel reconfiguration
UTRAN mobility information
Integrity protection
Security mode control
Encryption: UEA1
Integrity algorithm: U1A11

## 7.2 Supported specifications

The SL808X supports the specifications listed in [Table 7-2](#) on page 89, as well as Enhanced Network Selection (ENS), and Enhanced Operator Name String (EONS).

EONS allows the operator to define the operator name displayed for any registered network based on the MCC, MNC, and LAI on which the MS is currently registered. Strings that can be displayed when a MS is registered on a network are:

- Enhanced Operator Name String (EONS) from SIM
- Operator Name String (ONS) from SIM
- Service Provider Name (SPN) from SIM
- Network Identity and Time Zone (NITZ) as broadcast by network
- String from internal lookup table in UE

**Table 7-2: Supported GSM/GPRS specifications**

Item	Comments
8PSK modulation	Octagonal Phase Shift Keying Coding schemes MCS1-4 are GMSK and MCS5-9 are 8PSK.
GPRS header compression	Data packet header compression supported
3GPP compliance	Protocol stack supports the requirements of: <ul style="list-style-type: none"> <li>• GPRS/EDGE: 3GPP Release 99 and GERAN Feature Package #1</li> <li>• WCDMA: Release 5</li> </ul>
GPRS operation mode class B	Class B terminals support either circuit-switched or packet-switched traffic (with simultaneous network attachment) but do not support both kinds of traffic simultaneously.

**Table 7-2: Supported GSM/GPRS specifications (Continued)**

Item	Comments
Link Adaptation (LA)	Together with IR (next table entry), LA adapts the EGPRS transmission to meet changing radio link conditions.
EGPRS Incremental Redundancy (IR)	IR adjusts the physical layer code rate to actual channel conditions by incrementally transmitting redundant information until decoding is successful. Automatic Repeat Request (ARQ) protocol takes care of requesting and retransmitting incorrectly received blocks. ARQ enables both dynamic RLC window management (to avoid window stalling) and dynamic RLC polling frequency (to minimize retransmission delay and save radio bandwidth).
GPRS multislot class 10	Multislot class 10 and 12 allow for dynamic allocation of time slots.
EGPRS multislot class 12	
NC0	NC0 is the normal mode of control for a GPRS mobile in which the MS (Mobile Station) performs autonomous cell reselection.
DPC	Downlink Power Control Allows the network to adjust the downlink power of any dedicated channels on the BTS based on measurement reports sent by the mobile. This allows the network to reduce interference between multiple mobiles while still maintaining adequate signal quality for the individual mobiles.
One-phase packet access for GPRS	In establishing a TBF (Temporary Block Flow) connection, the MS (Mobile Station) requests either one-phase or two-phase packet access. In one-phase access, the network responds to a packet channel request by sending a packet uplink assignment message and reserving resources for uplink transfer of a number of radio blocks. In two-phase access, a packet resource request is sent on receipt of the packet uplink assignment.
One-phase packet access for EGPRS	
Two-phase packet access for GPRS	
Two-phase packet access for EGPRS	
RLC-acknowledged operation mode	The RLC-acknowledged and LLC-acknowledged modes are used to ensure the integrity of received data where QoS requires it. RLC (Radio Link Control) acknowledgment is typically the default (depending on the network and user profile). LLC-acknowledgment is optional and ensures that all LLC (Logical Link Control) frames are received without error. Since LLC-acknowledged mode requires acknowledgement of all LLC frames, the mode has an impact on throughput.
RLC-unacknowledged operation mode	
LLC-acknowledged transmission mode	
LLC-unacknowledged transmission mode	
GSM network operation mode I and II	The Network Operating Mode specifies the coordination of paging for circuit-switched and packet-switched services. Mode I - The mobile can receive circuit-switched pages while in a packet-switched call. Mode II - The mobile cannot receive a circuit-switched page while in a packet-switched call, as it would force the mobile to constantly monitor its CCCH channel.

**Table 7-2: Supported GSM/GPRS specifications (Continued)**

Item	Comments
(SL8080/82/84) PBCCH / PCCCHI	Packet Broadcast Control Channel PBCCH is a packet data signaling channel that can supplement the BCCH GSM control channel, allowing decoupling of voice and packet control channels to set up data calls. PBCCH broadcasts GPRS / EGPRS specific cell re-selection parameters for serving and neighbor cells used in cell selection / re-selection for packet services.
GPRS test modes (ETSI test mode A and B)	The European Telecommunications Standards Institute (ETSI) defines standards and requirements for testing of GSM mobile equipment. In test mode A, the mobile requests an uplink TBF and transmits random data on a designated number of timeslots. This causes a device to transmit data without using upper layer protocols. Once the transmission has started, the downlink TBF halts. The device remains in this mode until the testing equipment terminates it. In test mode B, the mobile is prompted to receive data on a number of specified downlink timeslots and re-transmit the same data back on the corresponding uplink timeslots. Test mode B allows tests to be performed on both the transmitter and receiver within a single session.
NACC (R4 GERAN Feature Set 1)	Network Assisted Cell Change Enables the network to provide additional information about neighbor cells to the mobile while in a packet data session, which decreases the experienced service delays caused by cell re-selection.
MAIO	Mobile Allocation Index Offset MAIO and Hopping Sequence Number (HSN) are used in conjunction with Frequency Hopping to determine the hopping sequence used in each frame. The MAIO supports as many values as there are frequencies in the hopping list, and these are used to indicate the offset within the hopping list that identifies the frequency used.
Packet enhanced measurement report (PEMR)	Packet Enhanced Measurement Report (PEMR) is one of the RLC / MAC (Radio Link Control and Medium Access Control) control messages that include a carrier identifier. This message is a requirement of supporting multicarrier TBF.
Delayed TBF Release	Delayed Temporary Block Flow Release (also called Extended Uplink TBF) Delayed TBF Release reduces latency between uplink data transfers and reduced signaling on the network by maintaining a connection for brief periods when the network is temporarily inactive and the mobile station has no radio link control information to send. For this feature to work properly, the mobile station must support delayed TBF release.
Extended Dynamic Allocation	Radio blocks can be transmitted on up to four different PDCHs. Permits full class 12 operation.
Single Antenna Interference Cancellation (SAIC)	SAIC mitigates code-channel interference from neighboring cells resulting in fewer dropped calls, and faster download rates for e-mail and websites.

**Table 7-2: Supported GSM/GPRS specifications (Continued)**

Item	Comments
Circuit-switched data bearers	These circuit-switched data bearers are supported on 2G networks: <ul style="list-style-type: none"> <li>• Asynchronous 9,600 bps</li> <li>• Asynchronous 14,400 bps</li> </ul>
<b>Security</b>	
Encryption support	GPRS / EGPRS support GEA1, GEA2, and GEA3 data ciphering. GSM CSD and SMS use A5/1 and A5/3 encryption.
PAP for RADIUS authentication - GPRS / EGPRS	PAP (Password Authentication Protocol) is a method of authenticating usernames and passwords against a database on a RADIUS (Remote Authentication Dial-In User Service) server. In a standard login, the service provider prompts for a username and password. In PAP authentication, the username and password are entered in the client's dialing software and sent as one data package, rather than the server sending a login prompt and waiting for a response.
CHAP for RADIUS authentication - GPRS / EGPRS	CHAP (Challenge Handshake Authentication Protocol) is a more secure method for connecting to a system than PAP. After a link is established, the server sends a challenge message to the client. The client responds with a value calculated using a one-way hash function. The server compares its own calculation of the expected hash value to the client's response. If the values match, the authentication is acknowledged; otherwise the connection is terminated.
Support for encryption algorithm UEA1 (Kasumi)	UEA1 (UMTS Encryption Algorithm) generates the keystream as a function of a cipher key that is re-synchronized to every MAC / RLC frame. UEA is based on the Kasumi algorithm.
Support for integrity algorithm UIA1 (Kasumi)	UIA1 (UMTS Integrity Algorithm) is the algorithm used to compute the IK (Integrity Key) used in message authentication. UIA is based on the Kasumi algorithm.
<b>UMTS</b>	
WCDMA-to-GPRS reselection in CELL_FACH	CELL_FACH is an RRC (Radio Resource Control) service state in which cell reselection is performed. This feature prevents dropping of RRC connections.
Inter-frequency reselection in Cell_FACH	
Radio link failure	Radio link failure is a procedure that indicates an 'out-of-synch' state on one or more radio links. Node B of the RNC (Radio Network Controller) reports this event before attempting resynchronization. The radio link restoration procedure indicates restoration of the 'synchronized' state.
SIB scheduling	SIB (System Information Block) scheduling controls the broadcasting of information to user equipment in a cell. The user equipment retrieves the schedule, and is then able to change to sleep mode, receiving only those blocks that it needs.
SIB modification	
Re-establishment procedure	Following a radio link failure, the RNC maintains the RRC connection, waiting for re-establishment.

**Table 7-2: Supported GSM/GPRS specifications (Continued)**

Item	Comments
VT + PS call (subject to network availability)	Simultaneous VT (Video Terminal) and PS (Packet Switched) calls are supported.
Packet Cell Change Order from GSM→UTRAN	Call transfer between GSM-based and UTRAN-based cells is supported.
Background PLMN search	Improved algorithm for Higher Priority PLMN (HPPLMN) search while camped on a 3G cell.
Configurable Release 5 or Release 99 support	
<b>Circuit-switched data bearers</b>	
Data bearers	<p>These circuit-switched data bearers are supported on 3G networks:</p> <ul style="list-style-type: none"> <li>• Synchronous transparent mode = 64000 bps</li> <li>• Synchronous transparent mode = 56000 bps</li> <li>• Asynchronous V110 UDI = 14400 bps</li> <li>• Asynchronous V110 UDI = 28800 bps</li> <li>• Asynchronous V110 UDI = 38400 bps</li> <li>• Asynchronous V120 = 14400 bps</li> <li>• Asynchronous V120 = 28800 bps</li> <li>• Asynchronous V120 = 56000 bps</li> </ul>
<b>HSDPA</b>	
Data rates	<p>The following data rates are supported:</p> <ul style="list-style-type: none"> <li>• Category 12 (1.8 Mbps)</li> <li>• Category 5/6 (3.6 Mbps)</li> </ul>
HSDPA logical channels	<p>These HSDPA logical channels are supported:</p> <ul style="list-style-type: none"> <li>• HS-SCCH</li> <li>• HS-DPCCH</li> <li>• HS-PDSCH—Up to ten HS-PDSCH channels are supported.</li> </ul>
HSDPA transport channels	<p>HS-DSCH is supported at these rates:</p> <ul style="list-style-type: none"> <li>• 120 kbps</li> <li>• 240 kbps</li> <li>• 360 kbps</li> </ul>
Incremental redundancy	<p>IR adjusts the physical layer code rate to actual channel conditions by incrementally transmitting redundant information until decoding is successful. Automatic Repeat Request (ARQ) protocol takes care of requesting and retransmitting incorrectly received blocks. ARQ enables both dynamic RLC window management (to avoid window stalling) and dynamic RLC polling frequency (to minimize retransmission delay and save radio bandwidth).</p>

**Table 7-2: Supported GSM/GPRS specifications (Continued)**

Item	Comments
Chase combining retransmission scheme	The Chase combining retransmission scheme is the simplest HARQ (Hybrid Automatic Request) link adaptation technique. HARQ techniques are used to enhance system performance.
HSDPA Compressed Mode	Allows the user equipment to interrupt transmission and reception during a call for brief periods in order to measure the signal strength of neighboring cells that use different frequencies.
(SL8080/82/84) Concurrent voice and HSDPA data	
HSDPA Indicator	Allows user interface to display an indicator when HSDPA data transfer is in progress.
Receiver equalizer support	
<b>Miscellaneous</b>	
Fast link adaptation	The data rate is adapted to radio conditions.
Vary the effective code rate	The effective code rate is varied based on code space resources.
HARQ, MAC-HS disassembly	MAC-HS (High Speed MAC) is the base station MAC (Medium Access Control) protocol. MAC-HS enables fast radio resource allocation.
MAC-HS reordering queue distribution and processing support	
Cell change	These cell change methods are supported: <ul style="list-style-type: none"> <li>• Synchronous and non-synchronous</li> <li>• Intra-Node B (softer repointing)</li> <li>• Inter-Node B (soft repointing)</li> </ul>
Up-switching and down-switching of PS RAB between HS-PDSCH and DPCH	RAB (Radio Access Bearer) and channel mappings between the HS-PDSCH (High Speed Physical Downlink Shared Channel) and DPCH (Dedicated Physical Channel) are reallocated according to volume thresholds and inactivity timers.
Ciphering on the HS channel	Ciphering on high-speed channels protects radio-transmitted data against unauthorized third parties.
Support to not resume the HS channel if inter-RAT handover fails, but save the RB mapping information	RB (Radio Bearer) mapping information is preserved if a high-speed channel is dropped due to the failure of an inter-RAT (Radio Access Technology) transfer.
Support to not resume the HS channel if a radio link failure occurs, but save the RB mapping information	RB (Radio Bearer) mapping information is preserved if a high-speed channel is dropped due to a radio link failure.
WINS address support primary and secondary	Primary and secondary IP addresses can be assigned for WINS (Windows Internet Name Service) name servers.
(SL8080/82/84) Voice support	Analog and PCM digital.

**Table 7-2: Supported GSM/GPRS specifications (Continued)**

Item	Comments
Unstructured supplementary services data (USSD)	USSD provides support for transmitting information over the GSM network signalling channels. It provides fast session-based communication between the user and an application, enabling use of text messaging, prepaid roaming, chat, etc.
(SL8080/82/84) Supplementary services	Support for supplementary voice services such as Call Hold, Call Forward, Call Waiting, Multi-party Calls, Caller ID, Fixed Number Dialing, Service Dialing Numbers, etc.
Cell reselection/handover	Supports InterRat and InterFrequency cell-reselection and handover between supported frequency bands.
<b>Security - IMEI Security</b>	
SIM lock	The device can be 'MEP locked' to a particular PLMN.
SIM security	Both CHV1 and CHV2 are supported (unlock and unblock).

## 7.3 UMTS (WCDMA) / GSM specifications

Table 7-3 details the SL808X modem's support for common UMTS (WCDMA) and GSM specifications.

**Table 7-3: UMTS (WCDMA)/GSM specifications<sup>a</sup>**

Item	GSM	UMTS
<b>Mobility management</b>		
Automatic PLMN selection / reselection	✓	✓
Location updating procedure	✓	✓
IMSI attach procedure	✓	✓
IMSI detach procedure	✓	✓
Periodic location update	✓	✓
Authentication procedure	✓	✓
CM connection establishment from MS or network	✓	✓
CM connection release	✓	✓
Encryption key management	✓	✓
TMSI reallocation	✓	✓
Paging response	✓	✓
Abort procedure	✓	✓
Identification	✓	✓
CN system information	✓	✓
Call re-establishment	✓	✓

**Table 7-3: UMTS (WCDMA)/GSM specifications<sup>a</sup> (Continued)**

Item	GSM	UMTS
MM connection establishment emergency calls	✓	✓
Inter-RAT change procedure	✓	✓
CS follow-on procedure	✓	✓
Access class barring	✓	✓
Resumption procedure for Class B operation in GPRS	✓	✓
Handling of domain change CS to CS/PS and other combinations	✓	✓
MM information	✓	✓
Network mode of operation I, II	✓	✓
<b>GPRS mobility management</b>		
GPRS attach	✓	✓
GPRS detach	✓	✓
Routing area update	✓	✓
GPRS authentication	✓	✓
GPRS identification	✓	✓
GMM status	✓	✓
Periodic routing area update	✓	✓
Ciphering	✓	✓
Access class barring	✓	✓
GMM status	✓	✓
Combined GPRS attach	✓	✓
Combined GPRS detach	✓	✓
Combined routing location / area update	✓	✓
PS SMS	✓	✓
Network initiated combined GPRS detach	✓	✓
Network mode of operation change	✓	✓
<b>RAB management</b>		
QoS-based activation, network offers lower / higher QoS	✓	✓
Primary PDP context activation	✓	✓
PDP context deactivation	✓	✓
<b>Data services</b>		
AT commands	✓	✓

**Table 7-3: UMTS (WCDMA)/GSM specifications<sup>a</sup> (Continued)**

Item	GSM	UMTS
MS PS data calls	✓	✓
Single PDP context	✓	✓
PDP type PPP	✗	✗
PDP type IP	✓	✓
9.6 / 14.4 CS transparent data	✓	N/A
9.6 / 14.4 CS nontransparent data	✓	N/A
Fax	✗	✗
MT Sync CS data calls	✓	✓
MO Sync CS data calls	✓	✓
V.80	N/A	✓
V.42bis	✗	N/A
Multiple PDP context profiles (up to 16)	✓	✓
<b>SMS specifications</b>		
CS domain MT SMS point-to-point	✓	✓
CS domain MO SMS point-to-point	✓	✓
SMMA	✓	✓
Dedicated mode	✓	✓
Message classes 0, 1, 2, 3, none	✓	✓
SMS / SMSP / SMSS access from SIM / USIM	✓	✓
Reply path	✓	✓
Validity period	✓	✓
PS domain MT SMS point-to-point	✓	✓
PS domain MO SMS point-to-point	✓	✓
SMS status reports	✓	✓
SMS commands	✓	✓

a. ✓—Supported; ✗—Not supported; N/A—Not applicable



## 8. Design Guidelines

This chapter provides general design guidelines for the AirPrime SL808X Embedded Module.

---

**Caution:** *This list is non-exhaustive, and the developer is responsible for deciding whether to implement these guidelines.*

---

For industrial assembly guidelines, refer to [7] *Customer Process Guidelines—AirPrime SL Series*, available from your Sierra Wireless account representative.

### 8.1 General rules and constraints

Clock and other high frequency digital signals (e.g. serial buses) should be routed as far as possible from the AirPrime SL808X Embedded Module analog signals.

If the application design makes it possible, all analog signals should be separated from digital signals by a ground line on the PCB.

---

**Tip:** *It is recommended to avoid routing any signals under the AirPrime SL808X Embedded Module on the application board.*

---

### 8.2 PCB layout recommendations

Ground slugs should be reflowed on to the host PCB with < 30% voiding to allow effective heat dissipation.

### 8.3 Power supply

The power supply is one of the key issues in the design of a GSM terminal.

A weak power supply design could, in particular, affect:

- EMC performance
- The emission spectrum
- The phase error and frequency error

When designing the power supply, careful attention should be paid to the following:

- The quality of the power supply—low ripple, PFM or PSM systems should be avoided; linear regulation or PWM converters are preferred for low noise.

- The capacity to deliver high current peaks in a short time (pulsed radio emission).
- The VCC\_3V6 line must support peak currents with an acceptable voltage drop which guarantees a minimal VCC\_3V6 value of 3.3 V (lower limit of VCC\_3V6)

## 8.4 Antenna

Another key issue in the design of a GSM terminal is the mechanical and electrical antenna adaptation. Sierra Wireless strongly recommends working with an antenna manufacturer either to develop an antenna adapted to the application or to adapt an existing solution to the application.

For more information on routing constraints for the RF circuit, see [RF circuit](#) on page 102.

## 8.5 PCB specifications for the application board

In order to save costs for simple applications, a cheap PCB structure can be used for the application board of the AirPrime SL808X Embedded Module. A 4-layer through-hole type PCB structure can be used.

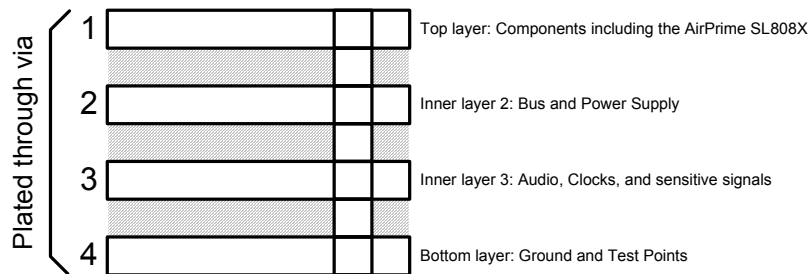


Figure 8-1: PCB structure example for the application board

*Note: Due to the limited layers of 4-layer PCBs, sensitive signals like audio, SIM and clocks cannot be protected by 2 adjacent ground layers. As a result, care must be taken during PCB layout for these sensitive signals by avoiding coupling to noisy baseband through adjacent layers.*

## 8.6 Recommended PCB landing pattern

Refer to [7] *Customer Process Guidelines—AirPrime SL Series*.

---

## 8.7 Routing constraints

### 8.7.1 Power supply

Since the maximum peak current can reach 2 A, Sierra Wireless strongly recommends having a large width for the layout of the power supply signal (to avoid voltage loss between the external power supply and the AirPrime SL808X Embedded Module supply).

Pins 42 and 44 of the AirPrime SL808X Embedded Module should be gathered in the same piece of copper, as shown in the figure below.

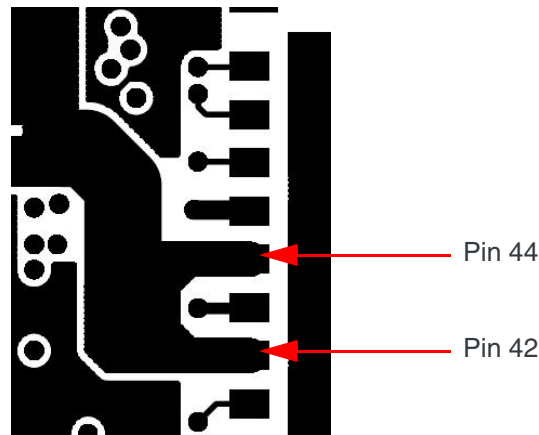


Figure 8-2: Power supply routing example

Filtering capacitors near the AirPrime SL808X Embedded Module power supply are also recommended (22  $\mu$ F to 100  $\mu$ F).

Attention should be paid to the ground track or the ground plane on the application board for the power supply which supplies the AirPrime SL808X Embedded Module. The ground track or the ground plane on the application board must support current peaks as well as with the VCC\_3V6 track.

If the ground track between the AirPrime SL808X Embedded Module and the power supply is a copper plane, it must not be parceled out.

The routing must be done in such a way that the total line impedance could be 10m $\Omega$  @ 217Hz. This impedance must include the bias impedances.

The same care should be taken when routing the ground supply.

If these design rules are not followed, phase error (peak) and power loss could occur.

#### 8.7.1.1 Ground plane and shielding connection

The AirPrime SL808X Embedded Module has LGA ground pads linked to the ground. The ground has to be connected to the application board through a complete layer on the PCB.

A ground plane must be available on the application board to provide efficient connection to the bottom ground of the AirPrime SL808X Embedded Module. The bottom side shielding of the AirPrime SL808X Embedded Module is achieved by soldering the ground plane of the application board and the AirPrime SL808X Embedded Module.

The best shielding performance is achieved when the application ground plane is a complete layer of the application PCB. To ensure good shielding of the AirPrime SL808X Embedded Module, a complete ground plane layer on the application board must be available, with no tradeoffs. Connections between other ground planes should be done with bias.

Without this ground plane, external spurious TX or RX blockings could appear.

For more information, see [Recommended PCB landing pattern](#) on page 100.

## 8.7.2 SIM interface

The length of the tracks between the AirPrime SL808X Embedded Module and the SIM socket should be as short as possible. Maximum recommended length is 10cm.

ESD protection is mandatory on the SIM lines if access from outside of the SIM socket is possible.

## 8.7.3 Audio circuit

To get better acoustic performances, the basic recommendations are as follows:

- The speaker lines (SPK) must be routed in parallel without any wires in between
- The microphone lines (MIC) must be routed in parallel without any wires in between

All the filtering components (RLC) must be placed as close as possible to the associated MIC and SPK pins.

## 8.7.4 RF circuit

The RF signal must be routed on the application board using tracks with a 50  $\Omega$  characteristic impedance.

Basically, the characteristic impedance depends on the dielectric, the track width and the ground plane spacing.

In order to respect this constraint, Sierra Wireless recommends using MicroStrip or StripLine structure and computing the Tracks width with a simulation tool (like AppCad shown in the figure below, available free of charge at <http://www.agilent.com>).

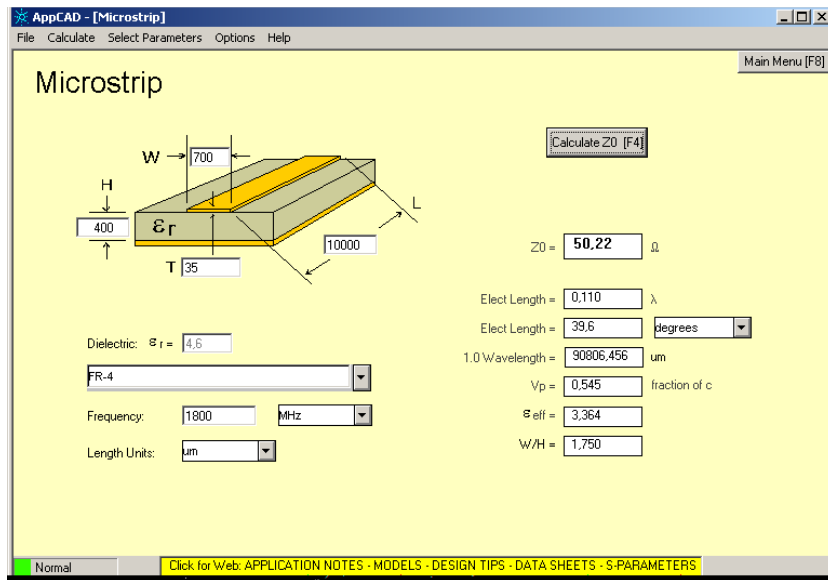


Figure 8-3: AppCad screenshot for MicroStrip design

If a multi-layered PCB is used, the RF path on the board must not cross any signal (digital, analog or supply).

If necessary, use StripLine structure and route the digital line(s) "outside" the RF structure as shown in the figure below.

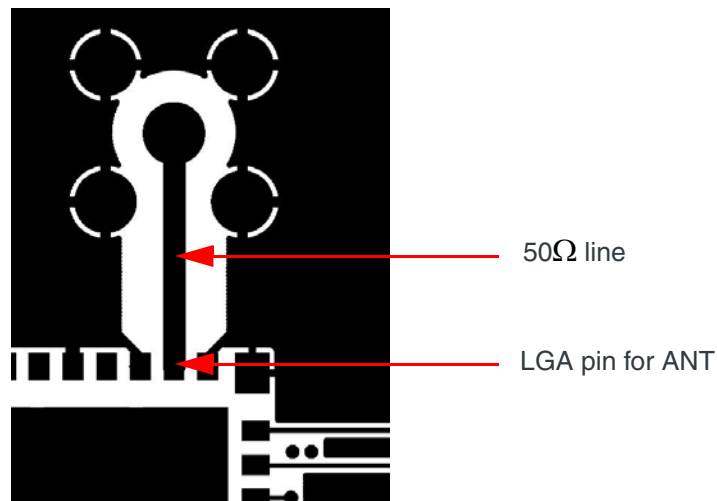


Figure 8-4: Routing examples

Stripline and Coplanar design requires having a correct ground plane at both sides. Consequently, it is necessary to add some vias along the RF path.

It is recommended to use Stripline design if the RF path is fairly long (more than 3cm), since MicroStrip design is not shielded. Consequently, the RF signal (when transmitting) may interfere with neighboring electronics (AF amplifier, etc.). In the same way, the neighboring electronics (micro-controllers, etc.) may degrade the reception performances.

The GSM/GPRS connector is intended to be directly connected to a 50  $\Omega$  antenna and no matching is needed.

## 8.8 EMC and ESD recommendations

EMC tests have to be performed on the application as soon as possible to detect any potential problems.

When designing, special attention should be paid to:

- Possible spurious emissions radiated by the application to the RF receiver in the receiver band
- ESD protection is mandatory on all signals which are externally accessible
  - Typically, ESD protection is mandatory for the:
    - SIM (if accessible from outside)
    - Serial interface
    - USB
    - Antenna Port

The ESD diode on the antenna port is intended to prevent any degradation in RF performance. The following device is recommended for SL808X-series modules:

Manufacturer: INPAQ Technology Co.  
Part Number: EGA10402V05A2

- Length of the SIM interface lines (preferably <10 cm)
- EMC protection on audio input/output (filters against 900 MHz emissions)
- Biasing of the microphone inputs
- Ground plane: Sierra Wireless recommends a common ground plane for analog/digital/RF grounds
- A metallic case or plastic casing with conductive paint are recommended, except area around the antenna

---

*Note: The AirPrime SL808X Embedded Module does not include any protection against over voltage.*

---

The host device must provide adequate ESD protection on digital circuits and antenna ports as detailed in [Table 8-1](#). See [5] *Sierra Wireless Reliability Specification* for additional details.

---

*Note: The level of protection required depends on your application*

---

**Table 8-1: ESD specifications**

Category	Connection	Specification
Operational	RF ports	<ul style="list-style-type: none"><li>IEC-61000-4-2—Level (Electrostatic Discharge Immunity Test)</li></ul>
Non-operational	Host connector interface	Unless otherwise specified: <ul style="list-style-type: none"><li>JESD22-A114 +/- 2kV Human Body Model</li><li>JESD22-A115 +/- 200V Machine Model</li><li>JESD22-C101C +/- 500V Charged Device Model</li></ul>
Signals	USIM connector	ESD protection is highly recommended at the point where the USIM contacts are exposed, and for any other signals that would be subjected to ESD by the user.
	Other host signals	

## 8.9 Mechanical integration

Attention should be paid to:

- Antenna cable integration (bending, length, position, etc)
- Leads of the AirPrime SL808X Embedded Module to be soldered to the ground plane

## 8.10 Operating system upgrade

The AirPrime SL808X Embedded Module Operating System is stored in flash memory and can be easily upgraded.

---

*Important: In order to follow regular changes in the GPRS standard and to offer a state-of-the-art operating system, Sierra Wireless recommends that the application designed around an embedded module (or embedded module based product) should allow easy operating system upgrades on the embedded module via the recommended firmware download protocol (see [6] AirCard/AirPrime USB Driver Developer's Guide). Therefore, the application shall either allow a direct access to the embedded module serial interface through an external connector or implement any mechanism allowing the embedded module operating system to be downloaded.*

---



## 9. Embedded Testability

### 9.1 Testing assistance provided by Sierra Wireless

Extended AT commands have been implemented to assist with performing FTA GCF tests and portions of CE Mark tests requiring radio module access. These are documented in the [2] *AirCard/AirPrime UMTS Devices Supported AT Command Reference* and [3] *AirPrime MC8xxx Embedded Modules Extended AT Command Reference*.

Sierra Wireless offers optional professional services based assistance to OEMs with regulatory approvals.

### 9.2 Integration requirements

When integrating the SL808X module, the following items must be addressed:

- Mounting—Effect on temperature, shock, and vibration performance
- Power supply—Impact on battery drain and possible RF interference
- Antenna location and type—Impact on RF performance
- Regulatory approvals—As discussed in [Certification compliance](#) on page 111.
- Service provisioning—Manufacturing process

Sierra Wireless provides guidelines for successful SL808X module integration with the document suite and offers integration support services as necessary.

### 9.3 IOT/Operator

Interoperability and Operator/Carrier testing of the finished system is the responsibility of the OEM. The test process will be determined with the chosen network operator(s) and will be dependent upon your business relationship with them, as well as the product's application and sales channel strategy.

Sierra Wireless offers assistance to OEMs with the testing process, if required.

## 9.4 Module testing recommendations

When testing your integration design:

- Test to your worst case operating environment conditions (temperature and voltage)
- Test using worst case operation (transmitter on 100% duty cycle, maximum power)
- Monitor temperature at the location shown below—this should be the hottest spot on the device (the WCDMA PA).

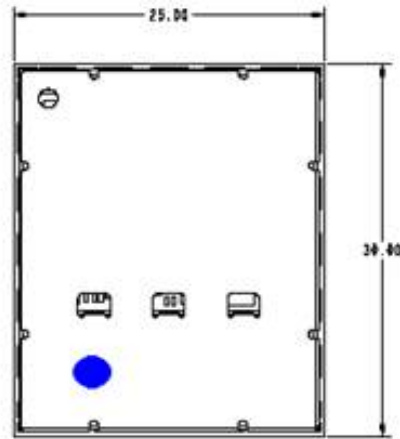


Figure 9-1: Recommended thermocouple location

---

*Note: Make sure that your system design provides sufficient cooling for the module. The RF shield temperature should be kept below 90°C when integrated to prevent damage to the module's components.*

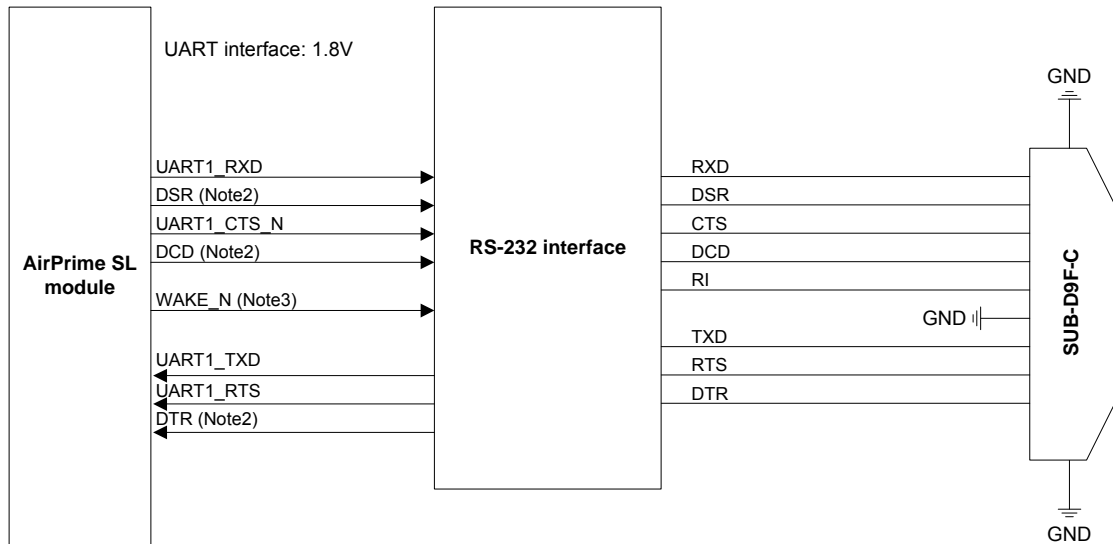
---

## 9.5 Serial interface access

Direct access to the UART1 serial interface is useful for:

- Testability operations
- Firmware download (for more information on firmware upgrade, see [Firmware upgrade](#) on page 28)

To allow that access, the following serial interface access design is recommended:



**Note 1:** 1.8V supply will be required for the RS-232 interface

**Note 2:** DCD carried over reconfigured GPIO\_1, PCM\_DIN, or SPI\_CS\_N.  
DSR carried over reconfigured GPIO\_3, PCM\_CLK, or SPI\_DATA\_MOSI.  
DTR carried over reconfigured GPIO\_2, PCM\_DOUT, or SPI\_CLK.

**Note 3:** RI functionality (alert host about incoming call) is provided, if needed, by using WAKE\_N.

Figure 9-2: Main serial interface (UART1)

You must provide either:

- A split-supply RS-232 transceiver. For example, Linear Technology LTC2804 or Texas Instruments TRS3253E.
- or
- A single-supply transceiver plus a level translator. For example, Analog Devices ADM3307E for the RS232 transceiver, and ST Microelectronics ST2378E for the level translator.

When it is necessary to download firmware into the AirPrime SL808X Embedded Module without going through the RS232 interface, access to the embedded module is forced via the debug connector.

## 9.6 RF output accessibility

During the integration phase of the AirPrime SL808X Embedded Module, it can be helpful to connect the AirPrime SL808X Embedded Module to a GSM/GPRS simulator in order to check critical RF TX parameters and power behavior.

Although the AirPrime SL808X Embedded Module has been certified, some parameters may have degraded due to some basic precautions not having been followed (poor power supply, for example). This will not affect the functionality of the product, but the product will not comply with GSM specifications.

The following TX parameters can be checked using a GSM/GSM simulator:

- Phase & Frequency Error
- Output Power and GSM Burst Time
- Output Spectrum (Modulation and Switching)

Listed below are available typical GSM/GPRS simulators:

- CMU200 from Rhode & Schwarz
- 8960 from Agilent

Because of the high prices associated with GSM/GPRS simulators and the necessary GSM know-how to perform simulations, customers can check their applications in the Sierra Wireless laboratories. Contact the Sierra Wireless support team for more information.

# 10. Certification Compliance and Recommended Standards

## 10.1 UMTS compliance acceptance and certification

The SL808X is designed to be compliant with the 3GPP Release 5 UMTS Specification for Mobile Terminated Equipment. Final regulatory and operator certification requires regulatory agency testing and approval with the fully integrated UMTS UE host device incorporating the SL808X module.

The OEM host device and, in particular, the OEM antenna design and implementation will affect the final product functionality, RF performance, and certification test results.

---

*Note: Tests that require features not supported by the SL808X (as defined by this document) are not supported.*

---

## 10.2 Certification compliance

The AirPrime SL808X Embedded Module installed on a development kit socket board application is compliant with the requirements in [Table 10-1](#).

**Table 10-1: Standards conformity for the SL808X embedded module**

Domain	Applicable standard	SL8080	SL8081	SL8082	SL8083	SL8084	SL8085
Efficient use of the radio frequency spectrum	EN 301 511 (V 9.0.2)			✓	✓		
EMC	EN 301 489-1 (v1.8.1) EN 301 489-7 (v1.3.1)			✓	✓		
FCC	FCC Part 22, 24	✓	✓				
IC	RSS-132 Issue 2 RSS-133 Issue 5						
EU	FTA GCF regulatory certification CE Mark regulatory certification of compliance Interoperability Testing (IOT)			✓	✓		

**Table 10-1: Standards conformity for the SL808X embedded module**

Domain	Applicable standard	SL8080	SL8081	SL8082	SL8083	SL8084	SL8085
A-Tick certification						✓	✓
North/Latin America operators/carriers	PTCRB approval per NAPRD requirement AT&T	✓	✓				

## 10.3 Applicable standards

For queries concerning specific industry standards and certifications not described in this chapter, contact your Sierra Wireless account representative.

### 10.3.1 Important notice

Because of the nature of wireless communications, transmission and reception of data can never be guaranteed. Data may be delayed, corrupted (i.e., have errors) or be totally lost. Although significant delays or losses of data are rare when wireless devices such as the Sierra Wireless modem are used in a normal manner with a well-constructed network, the Sierra Wireless modem should not be used in situations where failure to transmit or receive data could result in damage of any kind to the user or any other party, including but not limited to personal injury, death, or loss of property. Sierra Wireless and its affiliates accept no responsibility for damages of any kind resulting from delays or errors in data transmitted or received using the Sierra Wireless modem, or for failure of the Sierra Wireless modem to transmit or receive such data.

### 10.3.2 Safety and hazards

Do not operate your AirPrime SL808X Embedded Module modem:

- In areas where blasting is in progress
- Where explosive atmospheres may be present including refuelling points, fuel depots, and chemical plants
- Near medical equipment, life support equipment, or any equipment which may be susceptible to any form of radio interference. In such areas, the SL808X modem **MUST BE POWERED OFF**. Otherwise, the SL808X modem can transmit signals that could interfere with this equipment.

In an aircraft, the SL808X modem **MUST BE POWERED OFF**. Otherwise, the SL808X modem can transmit signals that could interfere with various onboard systems and may be dangerous to the operation of the aircraft or disrupt the cellular network. Use of a cellular phone in an aircraft is illegal in some jurisdictions. Failure to observe this instruction may lead to suspension or denial of cellular telephone services to the offender, or legal action or both.

---

Some airlines may permit the use of cellular phones while the aircraft is on the ground and the door is open. The SL808X modem may be used normally at this time.

### **10.3.3 Important compliance information for North American users**

The AirPrime SL8080/SL8081 Embedded Wireless Modules have been granted FCC (Federal Communications Commission) modular approval for use in mobile applications. Module integrators may use these devices in their final products without attaining additional FCC/IC (Industry Canada) certifications, provided they meet specific design conditions in their platform. Otherwise, additional FCC/IC approvals must be obtained.

Please contact your Sierra Wireless representative for more information.

### **10.3.4 EU regulatory conformity**

Sierra Wireless hereby declares that the SL8083 modem conforms with all essential requirements of Directive 1999/5/EC.



The Declaration of Conformity made under Directive 1999/5/EC is available for viewing at the following location in the EU community:

Sierra Wireless (UK), Limited  
Lakeside House  
1 Furzeground Way, Stockley Park East  
Uxbridge, Middlesex  
UB11 1BD  
England



## 11. Customization

Subject to commercial terms, Sierra Wireless can supply custom-configured modems to facilitate a carrier's network and performance requirements. Sierra Wireless also offers a standard configuration for each country.

Custom configurations are entered into a selector spreadsheet that Sierra supplies. A unique part number is assigned to each custom configuration to facilitate customer ordering.

**Table 11-1: Customizable features**

Name	Description	Default
(SL8080/82/84) Voice functionality	When enabled, supports voice calls and displays the Watcher 'voice' tab.	Enabled
MEP network locked	Mobile Equipment Personalization network locked to only allow use with specific preconfigured PLMNs (SIMs). MMI supports the entry of an unlock code subject to permanent locking feature below.	Off
MEP service provider locked		
Permanent MEP locked	Can block deactivation of MEP locked feature	Off
Roaming indicator disable <sup>a</sup>	Watcher never shows the onscreen roaming indicator.	Indicator enabled
Service indicator disable <sup>a</sup>	Watcher never shows the onscreen indicator. (For example, "HSDPA", "GPRS", "3G")	Indicator enabled
Data counter disable <sup>a</sup>	Watcher never shows Rx and Tx data counters.	Rx and Tx data counters enabled
Disable advanced profile menu (QoS) <sup>a</sup>	If disabled Watcher never shows advanced profile's QoS menus and user cannot change the minimum and requested QoS parameters.	Advance profile menu disabled
SIM PUK prompt enable	If enabled, Watcher shows the message "SIM blocked please enter PIN code".	Disabled, Watcher displays "Contact Service Provider" when SIM PIN is blocked
GPRS attach on start-up <sup>a</sup>	If disabled, modem attaches when GPRS connection is required.	The modem GPRS attaches at start-up.
Disable Auto Connect	If disabled, the Auto Connect feature is blocked and cannot be enabled by the user. If blocked, the "Auto Connect" button on the profile edit menu is greyed out and cannot be selected.	The auto-connect feature menu item is enabled with the default state set to manual (not auto-connect).
Scan for profile	The modem scans through all its programmed profiles to find successful GPRS connection.	Not scanning. Only the selected profile is used for connection.
IMEI/TAC	Configured at factory to one of the following values: <ul style="list-style-type: none"> <li>Sierra Wireless IMEI</li> <li>Customer-specified IMEI</li> <li>No IMEI</li> </ul>	Sierra Wireless IMEI

a. Features only available if supported in the user interface



## 12. Safety Recommendations

(For Information Only)

For the efficient and safe operation of your GSM application based on the AirPrime SL808X Embedded Module, please read the following information carefully.

### 12.1 RF safety

#### 12.1.1 General

Your GSM terminal is based on the GSM standard for cellular technology. The GSM standard is spread all over the world. It covers Europe, Asia and some parts of America and Africa. This is the most used telecommunication standard.

Your GSM terminal is actually a low power radio transmitter and receiver. It sends out as well as receives radio frequency energy. When you use your GSM application, the cellular system which handles your calls controls both the radio frequency and the power level of your cellular modem.

#### 12.1.2 Exposure to RF energy

There has been some public concern about possible health effects of using GSM terminals. Although research on health effects from RF energy has focused on the current RF technology for many years, scientists have begun research regarding newer radio technologies, such as GSM. After existing research had been reviewed, and after compliance to all applicable safety standards had been tested, it has been concluded that the product was fitted for use.

If you are concerned about exposure to RF energy, there are things you can do to minimize exposure. Obviously, limiting the duration of your calls will reduce your exposure to RF energy. In addition, you can reduce RF exposure by operating your cellular terminal efficiently by following the guidelines below.

#### 12.1.3 Efficient terminal operation

For your GSM terminal to operate at the lowest power level, consistent with satisfactory call quality:

If your terminal has an extendable antenna, extend it fully. Some models allow you to place a call with the antenna retracted. However your GSM terminal operates more efficiently with the antenna when it is fully extended.

Do not hold the antenna when the terminal is "IN USE". Holding the antenna affects call quality and may cause the modem to operate at a higher power level than needed.

### **12.1.4 Antenna care and replacement**

Do not use the GSM terminal with a damaged antenna. If a damaged antenna comes into contact with the skin, a minor burn may result. Replace a damaged antenna immediately. You may repair antenna to yourself by following the instructions provided to you. If so, use only a manufacturer-approved antenna. Otherwise, have your antenna repaired by a qualified technician.

Buy or replace the antenna only from the approved suppliers list. Using unauthorized antennas, modifications or attachments could damage the terminal and may contravene local RF emission regulations or invalidate type approval.

## **12.2 General safety**

### **12.2.1 Driving**

Check the laws and the regulations regarding the use of cellular devices in the area where you have to drive as you always have to comply with them. When using your GSM terminal while driving, please:

- give full attention to driving,
- pull off the road and park before making or answering a call if driving conditions so require.

### **12.2.2 Electronic devices**

Most electronic equipment, for example in hospitals and motor vehicles is shielded from RF energy. However, RF energy may affect some improperly shielded electronic equipment.

### **12.2.3 Vehicle electronic equipment**

Check with your vehicle manufacturer representative to determine if any on-board electronic equipment is adequately shielded from RF energy.

### **12.2.4 Medical electronic equipment**

Consult the manufacturer of any personal medical devices (such as pacemakers, hearing aids, etc...) to determine if they are adequately shielded from external RF energy.

Turn your terminal OFF in health care facilities when any regulations posted in the area instruct you to do so. Hospitals or health care facilities may be using RF monitoring equipment.

---

## 12.2.5 Aircraft

Turn your terminal OFF before boarding any aircraft.

- Use it on the ground only with crew permission.
- Do not use it in the air.

To prevent possible interference with aircraft systems, Federal Aviation Administration (FAA) regulations require you should have prior permission from a crew member to use your terminal while the aircraft is on the ground. To prevent interference with cellular systems, local RF regulations prohibit using your modem while airborne.

## 12.2.6 Children

Do not allow children to play with your GSM terminal. It is not a toy. Children could hurt themselves or others (by poking themselves or others in the eye with the antenna, for example). Children could damage the modem, or make calls that increase your modem bills.

## 12.2.7 Blasting areas

To avoid interfering with blasting operations, turn your unit OFF when you are in a "blasting area" or in areas posted: "turn off two-way radio". Construction crew often uses remote control RF devices to set off explosives.

## 12.2.8 Potentially explosive atmospheres

Turn your terminal OFF when in any area with a potentially explosive atmosphere. Though it is rare, but your modem or its accessories could generate sparks. Sparks in such areas could cause an explosion or fire resulting in bodily injuries or even death.

Areas with a potentially explosive atmosphere are often, but not always, clearly marked. They include fuelling areas such as petrol stations; below decks on boats; fuel or chemical transfer or storage facilities; and areas where the air contains chemicals or particles, such as grain, dust, or metal powders.

Do not transport or store flammable gas, liquid, or explosives, in the compartment of your vehicle which contains your terminal or accessories.

Before using your terminal in a vehicle powered by liquefied petroleum gas (such as propane or butane) ensure that the vehicle complies with the relevant fire and safety regulations of the country in which the vehicle is used.



## »» 13. Connector and Peripheral Device References

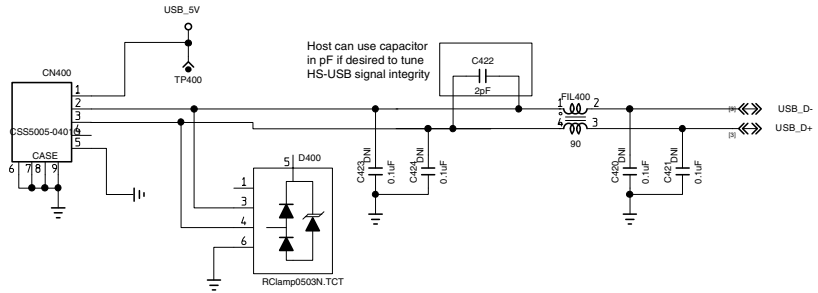
### 13.1 JTAG connector

Sierra Wireless suggests that a MOLEX ZIF connector (MFG#: 0513741072) be applied to your design to enable debugging/testing of devices by Sierra Wireless in the event of platform issues (see <http://www.molex.com>).

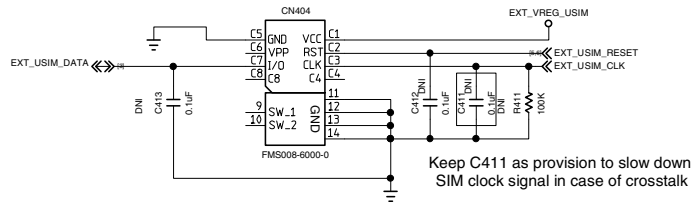


# 14. Signal reference schematics

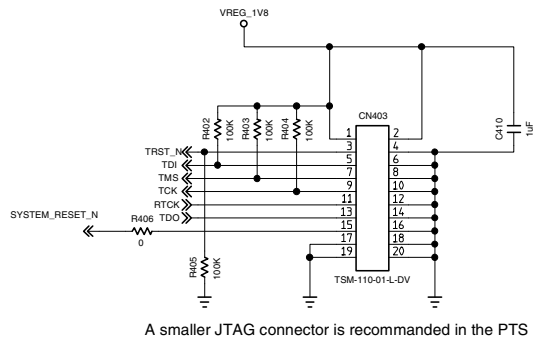
USB Interface



SIM Interface



JTAG Interface





## »» 15. References

### 15.1 Web site support

For additional documents describing embedded module design, usage, and integration issues, visit [www.sierrawireless.com](http://www.sierrawireless.com).

### 15.2 Reference documents

#### 15.2.1 Sierra Wireless documents

The following Sierra Wireless documents are provided in your documentation package, or are available from [www.sierrawireless.com](http://www.sierrawireless.com):

- [1] Development Kit User Guide—AirPrime SL Series  
Document WA\_DEV\_SL6087\_UGD\_003
- [2] AirCard/AirPrime UMTS Devices Supported AT Command Reference  
Document 2130617
- [3] AirPrime MC8xxx Embedded Modules Extended AT Command Reference  
Document 2130616
- [4] AirPrime UMTS MiniCard CnS Reference  
Document 2130602
- [5] Sierra Wireless Reliability Specification  
Document 4110485
- [6] AirCard/AirPrime USB Driver Developer's Guide  
Document 2130634
- [7] Customer Process Guidelines—AirPrime SL Series  
Document WM\_DEV\_LG\_PTS\_001

#### 15.2.2 Industry/other documents

The following non-Sierra Wireless references are not included in your documentation package:

- [8] Universal Serial Bus Specification, Rev 2.0
- [9] 3GPP TS 34.108

## 15.3 Abbreviations/acronyms

**Table 15-1: List of abbreviations/acronyms**

Abbreviation	Definition
3GPP	3rd Generation Partnership Project
A-GPS	Assisted GPS
API	Application Programming Interface
AT	ATtention (prefix for modem commands)
CHAP	Challenge Handshake Authentication Protocol
CnS	Contol and Status (Sierra Wireless' proprietary host interface protocol)
CPHS	Common PCN Handset Specification
CS	Circuit-switched
CSD	Circuit-switched Data
DHCP	Dynamic Host Configuration Protocol
DUN	Dial-Up Networking
EAP-SIM	Extensible Authentication Protocol Method for GSM Subscriber Identity
EDGE	Enhanced Data rates for GSM Evolution
EFR	Enhanced Full Rate
EONS	Enhanced Operator Name String
eSIM	embedded SIM
FR	Full Rate
GPRS	General Packet Radio Service
GPS	Global Positioning System
GSM	Global System for Mobile Communications
HPLMN	Home PLMN
HR	Half Rate
HSDPA	High Speed Downlink Packet Access
IMSI	International Mobile Subscriber Identity
LGA	Land Grid Array
MO	Modem Originated
MT	Modem Terminated
NDIS	Network Driver Interface Specification
NIC	Network Interface Card

**Table 15-1: List of abbreviations/acronyms**

<b>Abbreviation</b>	<b>Definition</b>
NMEA	National Marine Electronics Association
PAP	Password Authentication Protocol
PC/SC	PC / Smart Card
PDP	Packet Data Protocol
PLMN	Public Land Mobile Network
PS	Packet-switched
QoS	Quality of Service
RF	Radio Frequency
RTC	Real Time Clock
Rx	Receive
SDK	Software Development Kit
SIM	Subscriber Identity Module
SMS	Short Message Service
TDD	Telecommunications Device for the Deaf
TTY	Teletypewriter
Tx	Transmit
UMTS	Universal Mobile Telecommunications System
USB	Universal Serial Bus
USIM	Universal Subscriber Identity Module (UMTS)
USSD	Unstructured Supplementary Services Data
VCC	Collector Common Voltage
WCDMA	Wideband Code Division Multiple Access



# 16. Index

## Symbols

<\$norange, 40, 41, 44, 72

## A

accessories, 19

AGC, 55

A-GPS, 51

airplane mode, 85

antenna

design guidelines, 52

guidelines, 100

location, considerations, 53

matching, considerations, 53

radiated emissions, 53

radiated sensitivity, 53

antenna, main

specifications, 52

application

interface features, 16

architecture, functional, 21

AT

UART interface, 42

AT commands, 21

audio

analog

AGC, 55

AVC, 55

FIR filtering, 55

IIR filtering, 55

microphone features, 56

pins, 55

RVE, 55

speaker features, 60

supplementary services, 64

voice features, 63

analog interface

features, 55

digital

PCM, 64

**pins, 65**

interfaces supported, 54

auto connect, customization, 115

Automatic Gain Control, 55

Automatic Volume Control, 55

AVC, 55

## B

bands

supported, 15

BUZZER\_EN

features, 78

pins, 78

## C

call

barring, 18

forwarding, 18

hold, 18

waiting, 18

call barring, 64

call forwarding, 64

call hold, 64

call notification, incoming, 17

call waiting, 64

caller ID, 18, 64

calling line identification restriction, 64

capacitors

decoupling, power, 25

capacitors, power input, 23

certification, UMTS, 111

CHAP support, 17

chipsets supported, 21

circuit-switched data bearers, 16

CMOS, digital I/O, 38

CnS

UART interface, 42

coding schemes, 16

COM port support, 17

compliance

FCC/IC, 113

compliance, acceptance, 111

composite USB, 47

counters display, customization, 115

current

burst transmission, requirements, 24

continuous, 23

instantaneous, 23

peak, 24

start-up, 24

customization options, 115

## D

data bearers, circuit-switched, 16

data profiles, 17

data rates, 16

design

mechanical integration, 105

design guidelines, 99

Development Kit, 20

development kit, 20

accessories, 19

dial-up networking, 16  
digital I/O, 38  
dimensions, 25  
disposing of product, 20  
DM  
    UART interface, 42  
DUN, 16

## E

EAP-SIM authentication, 17  
echo cancellation, 17  
electrical features, 15  
embedded SIM. See eSIM.  
EMC recommendations, 104  
emergency calls, 17  
emissions, radiated, 53  
Enhanced Navigation 2.0 (GPS), 52  
EONS, 17  
ESD recommendations, 104  
eSIM, 16, 27

## F

FCC, regulatory information, IC, regulatory information, 113  
features  
    application interface, 16  
    connectivity/GSM, 17  
    electrical, 15  
    environmental, 18  
    GPS, 18  
    interfaces, 19  
    network selection, 18  
    operating systems, 19  
    packet mode, 16  
    phone book, 16  
    physical, 15  
    RF, 18  
    SMS, 16  
    supplementary services, 18  
    voice, 17  
features list, 15  
FIR digital filtering, 55  
firmware upgrade, 28  
form factor, 15, 25

## G

GPIO  
    interface features, 40  
    pins, 40  
    reconfigure for UART, 40  
GPRS / EDGE power classes, 85  
GPRS attach/detach, 17  
GPRS attach, customization, 115

GPS  
    A-GPS, 51  
    Enhanced Navigation 2.0, 52  
    features, 18  
    gpsOneXTRA, 51  
    specifications, 51  
    standalone, 51  
gpsOneXTRA, 51  
ground connection, 25  
GSM  
    frequency band support, 50  
GSM 850  
    RF parameters, MC8755/8765, 50

## H

hazard notice, 112  
HPLMN scan, 18

## I

I/O, digital, 38  
idle mode, 85  
IIR digital filtering, 55  
IMEI/TAC, customization, 115  
impedance  
    module-antenna, 53  
indicators, customization, 115  
inrush currents  
    descriptions, 86  
IP addresses, static/dynamic, 17  
IPv4, 17

## J

JTAG, 68  
    connector, recommended, 121  
    schematic, reference, 123

## L

label format, 27  
LED\_FLASH  
    electrical characteristics, 79  
    features, 79  
    pins, 79  
low power, UART, 44

## M

MDM6270 chipset, 21  
mechanical illustrations, 26  
mechanical specifications, 25  
MEP, customization, 115  
microphone  
    features, analog, 56  
multi-party service, 18, 64

multislot class, [16](#)

## N

NDIS NIC interface support, [16](#)

network selection features, [18](#)

NMEA

sentences supported, [52](#)

UART interface, [42](#)

noise reduction, [17](#)

non-composite USB, [47](#)

## O

operating system stack, [19](#)

operating system, upgrade, [105](#)

ordering information, [20](#)

## P

packet mode features, [16](#)

PAP support, [17](#)

PCB

landing pattern, [100](#)

routing

audio circuit, [102](#)

constraints, [101](#)

ground plane and shielding connection, [101](#)

power supply, [101](#)

RF circuit, [102](#)

SIM socket, [102](#)

pcb layout recommendations, [99](#)

PCB, application board specifications, [100](#)

PCS 1900

RF parameters, MC8755/8765, [50](#)

PDP

context activation/deactivation, [17](#)

context type, [17](#)

UART interface, [42](#)

phone book, [16](#)

physical features, [15](#)

physical layer specifications, [87](#)

pin types, [39](#)

pinout

assignments, [33](#)

illustration, [32](#)

pins

connector (1.8V), SL808x, [80](#)

PLMN, equivalent, [18](#)

power

consumption, averaged call mode data, DC, [84](#)

consumption, averaged standby, DC, [83](#)

consumption, miscellaneous, DC, [84](#)

decoupling capacitors, [25](#)

input, details, [24](#)

specifications, [23](#)

states, [85](#)

transitions, [86](#)

supply requirements, [23](#)

supply, guidelines, [99](#)

transmit, wave form, [86](#)

VREF\_1V8 (power rail), [80](#)

power classes for GPRS and EDGE, [85](#)

power classes, supported, [85](#)

power rail, [80](#)

POWER\_ON\_N

features, [70](#)

pins, [70](#)

timing, [70](#)

profile scan, customization, [115](#)

profiles

carrier list, [17](#)

## Q

QoS

menu display, customization, [115](#)

QoS profiles, [17](#)

QSC6270 chipset, [21](#)

QXDM, [19](#)

## R

RABs, [68](#)

radiated emissions, [53](#)

radiated sensitivity measurement, [53](#)

radio access bearers supported, [68](#)

Received Voice Enhancement, [55](#)

regulatory information

EU, [113](#)

FCC/IC, [113](#)

limitation of liability, [112](#)

safety and hazards, [112](#)

reserved pins, [81](#)

reset states, signals, [39](#)

RF

conducted Rx sensitivity, [50](#)

conducted Tx Power, [50](#)

connection details, [49](#)

data rates, [48](#)

interface features, [48](#)

parameters

GSM 850, [50](#)

PCS 1900, [50](#)

performance, [49](#)

pins, [49](#)

supported bands, [18](#)

RLC specifications, [87](#)  
 RoHS directive, [20](#)  
 RRC specifications, [88](#)  
 RVE, [55](#)

## S

safety notice, [112](#)  
 safety recommendations  
     aircraft, [119](#)  
     blasting areas, [119](#)  
     children, [119](#)  
     driving, [118](#)  
     electronic devices, [118](#)  
     medical equipment, [118](#)  
     potentially explosive atmospheres, [119](#)  
     RF, [117](#)  
 schematics, reference, [123](#)  
 SDK, [16](#)  
 SED  
     see Smart Error Detection  
 SED (Smart Error Detection), [28](#)  
 sensitivity, [50](#)  
     radiated measurement, overview, [53](#)  
     testing, overview, [54](#)  
 signal  
     reset states, [39](#)  
 SIM PUK display, customization, [115](#)  
 SIM toolkit, [17](#)  
 SL808x  
     pins, connector (1.8V), [80](#)  
 sleep mode, [17](#), [85](#)  
 Smart Error Detection  
     detecting module reset, [28](#)  
 Smart Error Detection (SED), [28](#)  
 SMS  
     features, [16](#), [68](#)  
 socket-up board, [19](#)  
 software development kit, [16](#)  
 speaker, analog, [60](#)  
 specifications, supported  
     GSM/GPRS, [89](#)  
     UMTS/GSM, [95](#)  
     WCDMA FDD, [87](#)  
 SPI  
     pins, [41](#)  
     reconfigure for UART, [41](#)  
 standalone GPS, [51](#)  
 supplementary services features, [18](#)  
 supplementary services, analog audio, [64](#)  
 support  
     ordering information, [20](#)  
 system block diagram, [30](#), [31](#)  
 SYSTEM\_RESET\_N  
     electrical characteristics, [73](#)  
     features, [72](#)  
     pins, [72](#)  
     timing, [73](#)

## T

TCP/IP header compression, [17](#)  
 temperature range, operating, [18](#)  
 temperature, module. See thermal testing  
     GSM/GPRS simulators, [110](#)  
     integration considerations, [107](#)  
     IOT/Operator/Carrier, [107](#)  
     recommendations, [108](#)  
     RF output, [109](#)  
     Sierra Wireless assistance, [107](#)  
     UART debug access, [108](#)  
 thermal  
     dissipation, [28](#)  
     dissipation, factors affecting, [28](#)  
     dissipation, suggestions, [28](#)  
     RF shield temperature, maximum, [108](#)  
     testing, module, [108](#)  
 transmission  
     burst, current requirements, [24](#)  
 transmit power wave form, [86](#)  
 TTY/TTD compatibility, [17](#)

## U

UART  
     4-wire, [41](#), [43](#)  
     8-wire, [41](#), [43](#)  
     configure interface, [43](#)  
     data services available, [42](#)  
     debug access for testing, [108](#)  
     interface features, [41](#)  
     lock interface, [44](#)  
     low power operation, [44](#)  
     pins, [42](#)  
     reconfigure GPIO, PCM, SPI for 8-wire, [43](#)  
 UMTS  
     compliance and certification, [111](#)  
 UMTS WCDMA FDD specifications, supported, [87](#)  
 upgrade  
     operating system, [105](#)  
 USB  
     configurations supported, [47](#)  
     host driver requirements, [48](#)  
     interface features, [46](#)  
     performance, [46](#)  
     pins, [47](#)  
     schematic, reference, [123](#)  
     selective suspend, [16](#)  
 USIM  
     interface features, [44](#)  
     pins, [45](#)  
     schematic, reference, [123](#)  
     socket pins, [46](#)  
 USSD, [18](#)

**V**

vocoders, [17](#)  
voice features, [17](#)  
voice functionality, customization, [115](#)  
voice support, analog audio, [63](#)  
voltage  
  range, [23](#)  
  supply, [15](#)

**W**

W\_DISABLE\_N  
  features, [76](#)  
  pins, [76](#)  
  timing, [77](#)  
WAKE\_N  
  features, [75](#)  
  pins, [75](#)  
Watcher connection manager, [19](#)  
WCDMA  
  frequency band support, [50](#)







**SIERRA**  
WIRELESS™