

Solid-Electrolyte TANTALEX[®] Capacitors, Resin-Coated, Radial-Lead



FEATURES

- Terminations: Tin/lead (SnPb), 100 % Tin (Sn)
- Economy and high performance are combined in these radial-lead, solid-electrolyte TANTALEX[®] capacitor
- Rugged, reliable capacitors featuring low leakage current and low dissipation factor
- Six miniature case sizes and five lead styles. All case sizes are available in standard tape and reel packaging per EIA-RS-468
- Standard ratings include replacements for Type 196D capacitors
- Lead (Pb)-free capacitors have "L" in body marking



RoHS*
COMPLIANT

APPLICATIONS

- Suitable for a broad range of consumer, commercial and industrial equipment

PERFORMANCE CHARACTERISTICS

Operating Temperature: - 55 °C to + 85 °C
(To + 125 °C with voltage derating)

Capacitance Tolerance: At 120 Hz, + 25 °C. ± 20 %, ± 10 % standard. ± 5 % available as special

Dissipation Factor: At 120 Hz, + 25 °C. Dissipation factor, shall not exceed the values listed in the Standard Ratings Tables.

DC Leakage Current (DCL Max.):

At + 25 °C: Leakage current shall not exceed the values listed in the Standard Ratings Tables.

At + 85 °C: Leakage current shall not exceed 10 times the values listed in the Standard Ratings Tables.

At + 125 °C: Leakage shall not exceed 15 times the values listed in the Standard Ratings Tables.

Life Test: Capacitors shall withstand rated DC voltage applied at + 85 °C for 1000 hours with a circuit resistance not greater than 3 ohms.

Following the life test:

1. DCL shall not exceed 125 % of the initial requirements
2. Dissipation Factor shall meet the initial requirement
3. Change in capacitance shall not exceed ± 10 %

LEAD STYLE CONFIGURATIONS AND DIMENSIONS** (LL = Lead Length)				
"LONG/SHORT" LL 1, 3 & Y	EVEN LL 2, 4 & 5	"OUTSIDE HOCKEYSTICK" 6 & 7	"SNAP-IN" 9	"HAIRPIN" X, Z 6.35 max
** - WIRE DIAMETER (NOMINAL) 0.020" [0.51 mm]				

AVAILABLE LEAD STYLES AND PACKAGING TYPES PER CASE SIZE											
LEAD STYLE/CASE	1	2	3	4	5	6	7	9	X	Y	Z
A	Bulk V1	Bulk V1			Bulk V1	Bulk V1	Bulk V1	Bulk V1	Bulk V1	Bulk V1	Bulk V1
B		Reel B1			Reel B1		Reel B1	Reel B1	Reel B1		
C		Ammo A1			Ammo A1		Ammo A1	Ammo A1	Ammo A1		
D											
E			Bulk V1	Bulk/Reel Ammo							
F											

* Pb containing terminations are not RoHS compliant, exemptions may apply



Solid-Electrolyte TANTALEX® Capacitors,
Resin-Coated, Radial-Lead

Vishay Sprague

DIMENSIONS in inches [millimeters]										
LEAD STYLE		1, 2, 3, 4		1, 2, 3	2, 4	5, Y		6		
CASE	D max	P ± 0.024 [0.60]	H max	L min	L ± 0.118 [3.0]	P ± 0.03 [0.76]	L ± 0.118 [3.0]	P ± 0.024 [0.60]	H1 max	L
A	0.173 [4.40]	0.100 [2.54]	0.280 [7.11]	0.591 [15.0]	0.748 [19.0]	0.125 [3.18]	0.748 [19.0]	0.200 [5.08]	0.378 [9.61]	0.240 ± 0.030 [6.1 ± 0.76]
B	0.197 [5.00]		0.300 [7.62]						0.398 [10.12]	
C	0.217 [5.50]		0.360 [9.14]						0.458 [11.64]	
D	0.236 [6.00]		0.400 [10.16]						0.498 [12.66]	
E	0.339 [8.60]	0.200 [5.08]	0.492 [12.50]			-	-		0.591 [15.00]	1 ± 0.122 [25.4 ± 3.1]
F	0.378 [9.60]		0.650 [16.50]			-	-		0.748 [19.00]	

DIMENSIONS in inches [millimeters]													
LEAD STYLE	7, 9	7			9			X, Z				X	Z
CASE	D max	P ± 0.024 [0.60]	H1 max	L ± 0.03 [0.76]	P ± 0.024 [0.60]	H1 max	L ± 0.03 [0.76]	D max	H max	H1 max	L ± 0.125	P ± 0.024	P ± 0.024
A	0.173 [4.40]	0.25 [6.35]	0.378 [9.61]	0.240 [6.10]	0.200 [5.08]	0.398 [10.11]	0.240 [6.10]	0.173 [4.40]	0.280 [7.11]	0.340 [8.64]	0.750 [19.05]	0.100 [2.54]	0.125 [3.175]
B	0.197 [5.00]		0.398 [10.12]			0.418 [10.62]		0.197 [5.00]	0.300 [7.62]	0.360 [9.14]			
C	0.217 [5.50]		0.458 [11.64]			0.478 [12.14]		0.217 [5.50]	0.360 [9.14]	0.420 [10.67]			
D	0.236 [6.00]		0.498 [12.66]			0.518 [13.16]		0.236 [6.00]	0.400 [10.16]	0.460 [11.68]			

Note:
Lead space measured within 0.05 [1.27] of the body of the capacitor or from the bottom of the crimp.

ORDERING INFORMATION							
199D	475	X9	003	A	1*	V1	E3
MODEL	CAPACITANCE	CAPACITANCE TOLERANCE	DC VOLTAGE RATING AT +85 °C	CASE CODE	LEAD STYLE	PACKAGING	RoHS COMPLIANT
	This is expressed in picofarads. The first two digits are the significant figures. The third is the number of zeros to follow.	X0 = ± 20 % X9 = ± 10 % ** X5 = ± 5 % ** Special Order	This is expressed in volts. To complete the three-digit block, zeros precede the voltage rating. A decimal point is indicated by an "R" (6R3 = 6.3 volts).	See Ratings and Case Codes Table.		V1 = Bulk B1 = Tape and Reel A1 = Ammo	E3 = 100 % tin termination (RoHS compliant) Blank = Tin/lead termination

* - see lead styles table

**199D OBSOLETE VS. CURRENT ORDERING CROSS REFERENCE**

OBSOLETE	NEW	DESCRIPTION
A1	1V1	0.100 SP, UNEVEN STRAIGHT LL, BULK CASES A - D
A1	3V1	0.200 SP, UNEVEN STRAIGHT LL, BULK, CASES E, F
A1	2V1	0.100 SP, EVEN STRAIGHT LL, BULK, CASES A - D
A6	2B1	0.100 SP, EVEN STRAIGHT LL, REEL POSITIVE LEADER, CASES A - D
A6	2A1	0.100 SP, EVEN STRAIGHT LL, AMMO, CASES A - D
A1	4V1	0.200 SP, EVEN STRAIGHT LL, BULK, CASES E, F
A6	4B1	0.200 SP, EVEN STRAIGHT LL, REEL POSITIVE LEADER, CASES E, F
A6	4A1	0.200 SP, EVEN STRAIGHT LL, AMMO, CASES E, F
A2	5V1	0.125 SP, EVEN STRAIGHT LL, BULK, CASES A - D
A7	5B1	0.125 SP, EVEN STRAIGHT LL, REEL POSITIVE LEADER, CASES A - D
A7	5A1	0.125 SP, EVEN STRAIGHT LL, BULK, CASES A - D
A2	YV1	0.125 SP, UNEVEN STRAIGHT LL, BULK, CASES A - D
B1	XV1	0.100 SP, HAIRPIN LL, BULK CASES A - D
B6	XB1	0.100 SP, HAIRPIN LL, REEL POSITIVE LEADER, CASES A - D
B6	XA1	0.100 SP, HAIRPIN LL, AMMO, CASES A - D
B2	ZV1	0.125 SP, HAIRPIN LL, BULK, CASES A - D
B7	ZB1	0.125 SP, HAIRPIN LL, REEL POSITIVE LEADER, CASES A - D
B7	ZA1	0.125 SP, HAIRPIN LL, AMMO, CASES A - D
E2	6V1	0.200 SP, HOCKEY STICK LL, BULK, CASES A - F
E7	6B1	0.200 SP, HOCKEY STICK LL, REEL POSITIVE LEADER, CASES A - F
E7	6A1	0.200 SP, HOCKEY STICK LL, AMMO, CASES A - F
E3	7V1	0.250 SP, HOCKEY STICK LL, BULK, CASES A - D
E8	7B1	0.250 SP, HOCKEY STICK LL, REEL POSITIVE LEADER, CASES A - D
E8	7A1	0.250 SP, HOCKEY STICK LL, AMMO, CASES A - D
E4		OBSOLETE
G2	9V1	0.200 SP, SNAP-IN LL, BULK, CASES A - D
G7	9B1	0.200 SP, SNAP-IN LL, REEL POSITIVE LEADER, CASES A - D
G7	9A1	0.200 SP, SNAP-IN LL, AMMO, CASES A - D

Solid-Electrolyte TANTALEX® Capacitors,
Resin-Coated, Radial-Lead

Vishay Sprague

STANDARD RATINGS					
CAPACITANCE (μF)	CASE CODE	PART NUMBER*	Max. DCL at + 25 °C (μA)	Max. DF at + 25 °C 120 Hz (%)	
3 WVDC AT + 85 °C, SURGE = 3.6 V . . . 2 WVDC AT + 125 °C, SURGE = 2.4 V					
4.7	A	199D475(1)003A(2)(3)	0.5	6	
6.8	A	199D685(1)003A(2)(3)	0.5	6	
10.0	A	199D106(1)003A(2)(3)	0.5	8	
15.0	A	199D156(1)003A(2)(3)	0.5	8	
22.0	B	199D226(1)003B(2)(3)	0.6	8	
33.0	B	199D336(1)003B(2)(3)	1.0	8	
47.0	C	199D476(1)003C(2)(3)	1.4	8	
68.0	C	199D686(1)003C(2)(3)	2.0	8	
100.0	D	199D107(1)003D(2)(3)	3.0	10	
150.0	D	199D157(1)003D(2)(3)	4.0	10	
220.0	E	199D227(1)003E(2)(3)	5.0	10	
330.0	E	199D337(1)003E(2)(3)	6.0	10	
470.0	F	199D477(1)003F(2)(3)	8.0	10	
680.0	F	199D687(1)003F(2)(3)	10.0	10	
6.3 WVDC AT + 85 °C, SURGE = 8 V . . . 4 WVDC AT + 125 °C, SURGE = 5 V					
4.7	A	199D475(1)6R3A(2)(3)	0.5	6	
6.8	A	199D685(1)6R3A(2)(3)	0.5	6	
10.0	B	199D106(1)6R3B(2)(3)	0.6	8	
15.0	B	199D156(1)6R3B(2)(3)	0.9	8	
22.0	C	199D226(1)6R3C(2)(3)	1.3	8	
33.0	C	199D336(1)6R3C(2)(3)	2.0	8	
47.0	D	199D476(1)6R3D(2)(3)	2.9	8	
68.0	D	199D686(1)6R3D(2)(3)	4.0	8	
100.0	D	199D107(1)6R3D(2)(3)	5.0	10	
150.0	E	199D157(1)6R3E(2)(3)	6.0	10	
220.0	E	199D227(1)6R3E(2)(3)	7.0	10	
330.0	F	199D337(1)6R3F(2)(3)	8.0	10	
10 WVDC AT + 85 °C, SURGE = 13 V . . . 7 WVDC AT + 125 °C, SURGE = 9 V					
3.3	A	199D335(1)010A(2)(3)	0.5	6	
4.7	A	199D475(1)010A(2)(3)	0.5	6	
6.8	B	199D685(1)010B(2)(3)	0.6	6	
10.0	B	199D106(1)010B(2)(3)	1.0	8	
15.0	C	199D156(1)010C(2)(3)	1.5	8	
22.0	C	199D226(1)010C(2)(3)	2.0	8	
33.0	D	199D336(1)010D(2)(3)	3.0	8	
47.0	D	199D476(1)010D(2)(3)	4.0	8	
68.0	D	199D686(1)010D(2)(3)	5.0	8	
100.0	E	199D107(1)010E(2)(3)	6.0	10	
150.0	E	199D157(1)010E(2)(3)	7.0	10	
220.0	F	199D227(1)010F(2)(3)	8.0	10	
16 WVDC AT + 85 °C, SURGE = 20 V . . . 10 WVDC AT + 125 °C, SURGE = 12 V					
2.2	A	199D225(1)016A(2)(3)	0.5	6	
3.3	A	199D335(1)016A(2)(3)	0.5	6	
4.7	B	199D475(1)016B(2)(3)	0.7	6	
6.8	B	199D685(1)016B(2)(3)	1.0	6	
10.0	C	199D106(1)016C(2)(3)	1.5	8	
15.0	C	199D156(1)016C(2)(3)	2.4	8	
22.0	D	199D226(1)016D(2)(3)	3.5	8	
33.0	D	199D336(1)016D(2)(3)	4.0	8	
47.0	E	199D476(1)016E(2)(3)	5.0	8	
68.0	E	199D686(1)016E(2)(3)	6.0	8	
100.0	F	199D107(1)016F(2)(3)	7.0	10	
150.0	F	199D157(1)016F(2)(3)	8.0	10	

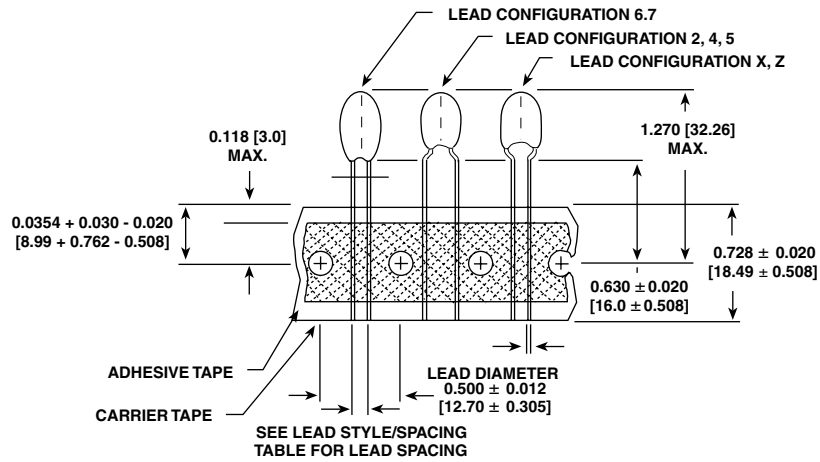


STANDARD RATINGS				
CAPACITANCE (μ F)	CASE CODE	PART NUMBER*	Max. DCL at + 25 °C (μ A)	Max. DF at + 25 °C 120 Hz (%)
20 WVDC AT + 85 °C, SURGE = 26 V . . . 13 WVDC AT + 125 °C, SURGE = 16 V				
3.3	B	199D335(1)020B(2)(3)	0.8	6
4.7	B	199D475(1)020B(2)(3)	1.0	6
6.8	C	199D685(1)020C(2)(3)	1.5	6
10.0	C	199D106(1)020C(2)(3)	2.0	8
15.0	D	199D156(1)020D(2)(3)	2.5	8
22.0	D	199D226(1)020D(2)(3)	3.0	8
33.0	E	199D336(1)020E(2)(3)	4.0	8
47.0	E	199D476(1)020E(2)(3)	5.0	8
68.0	F	199D686(1)020F(2)(3)	6.0	8
100.0	F	199D107(1)020F(2)(3)	7.0	10
25 WVDC AT + 85 °C, SURGE = 33 V . . . 17 WVDC AT + 125 °C, SURGE = 21 V				
1.0	A	199D105(1)025A(2)(3)	0.5	4
1.5	A	199D155(1)025A(2)(3)	0.5	6
2.2	A	199D225(1)025A(2)(3)	0.5	6
3.3	B	199D335(1)025B(2)(3)	0.8	6
4.7	B	199D475(1)025B(2)(3)	1.0	6
6.8	C	199D685(1)025C(2)(3)	1.5	6
10.0	C	199D106(1)025C(2)(3)	2.5	8
15.0	D	199D156(1)025D(2)(3)	3.0	8
22.0	D	199D226(1)025D(2)(3)	4.0	8
33.0	E	199D336(1)025E(2)(3)	5.0	8
47.0	E	199D476(1)025E(2)(3)	6.0	8
68.0	F	199D686(1)025F(2)(3)	7.0	8
35 WVDC AT + 85 °C, SURGE = 46 V . . . 23 WVDC AT + 125 °C, SURGE = 28 V				
0.1	A	199D104(1)035A(2)(3)	0.5	4
0.15	A	199D154(1)035A(2)(3)	0.5	4
0.22	A	199D224(1)035A(2)(3)	0.5	4
0.33	A	199D334(1)035A(2)(3)	0.5	4
0.47	A	199D474(1)035A(2)(3)	0.5	4
0.68	A	199D684(1)035A(2)(3)	0.5	4
1.0	A	199D105(1)035A(2)(3)	0.5	4
1.5	A	199D155(1)035A(2)(3)	0.5	6
2.2	B	199D225(1)035B(2)(3)	0.7	6
3.3	B	199D335(1)035B(2)(3)	1.0	6
4.7	C	199D475(1)035C(2)(3)	1.5	6
6.8	D	199D685(1)035D(2)(3)	2.3	6
10.0	D	199D106(1)035D(2)(3)	3.5	8
15.0	E	199D156(1)035E(2)(3)	4.0	8
22.0	E	199D226(1)035E(2)(3)	5.0	8
33.0	F	199D336(1)035F(2)(3)	6.0	8
47.0	F	199D476(1)035F(2)(3)	7.0	8
50 WVDC AT + 85 °C, SURGE = 65 V . . . 33 WVDC AT + 125 °C, SURGE = 40 V				
0.1	A	199D104(1)050A(2)(3)	0.5	4
0.15	A	199D154(1)050A(2)(3)	0.5	4
0.22	A	199D224(1)050A(2)(3)	0.5	4
0.33	A	199D334(1)050A(2)(3)	0.5	4
0.47	A	199D474(1)050A(2)(3)	0.5	4
0.68	A	199D684(1)050A(2)(3)	0.5	4
1.0	B	199D105(1)050B(2)(3)	0.5	4
1.5	C	199D155(1)050C(2)(3)	0.7	6
2.2	C	199D225(1)050C(2)(3)	1.1	6
3.3	D	199D335(1)050D(2)(3)	1.5	6
4.7	D	199D475(1)050D(2)(3)	2.0	6
6.8	F	199D685(1)050F(2)(3)	3.0	6
10.0	F	199D106(1)050F(2)(3)	4.0	8
15.0	F	199D156(1)050F(2)(3)	5.0	8
22.0	F	199D226(1)050F(2)(3)	6.0	8

* (1) For Capacitance tolerance: (X0 = \pm 20 %), (X9 = \pm 10 %) or (X5 = 5 %)

(2) To specify Lead Style/Spacing/Packaging insert the last three characters in the Part Number. Use the appropriate code shown in the Current Ordering Cross Reference Table and explained in the Ordering Information and Lead Styles Table.

(3) E3 = RoHS compliant 100 % tin leads. Blank or no suffix = standard tin/lead terminations.

STANDARD REEL PACKAGING SPECIFICATIONS PER EIA RS-468 in inches [millimeters]


CASE CODE	OBSOLETE	LEAD STYLE	LEAD SPACING	LL (MIN) (BULK)
A, B, C, D	A1, A6	1V1 (BULK), 2B1 (T & R)	0.100 + 0.024 - 0.016 [2.54 + 0.60 - 0.40]	0.187 [4.7]
A, B, C, D	B1, B6	XV1 (BULK), XB1 (T & R)	0.100 + 0.024 - 0.016 [2.54 + 0.60 - 0.40]	0.187 [4.7]
A, B, C, D, E, F	E2, E7	6V1 (BULK), 6B1 (T & R)	0.200 + 0.024 - 0.016 [5.08 + 0.06 - 0.40]	0.187 [4.7]

Note:

Lead space measured within 0.05 [1.27] of the body of the capacitor, or from the bottom of the crimp. Lead Style 'A' may be supplied with 0.59 [15] anode lead and 0.47 [12] cathode lead.

Tape and Reel Packaging: Type 199D radial-leaded tantalum capacitors, all lead styles except 1, 3 and Y are available taped and reeled per EIA-468.

CASE CODE	A	B	C	D	E	F
QUANTITY PER BOX BULK	1000		500		100	
QUANTITY PER BOX AMMO PACK	2500	2000	1500	1000	500	
QUANTITY PER REEL	1000				500	



Notice

Specifications of the products displayed herein are subject to change without notice. Vishay Intertechnology, Inc., or anyone on its behalf, assumes no responsibility or liability for any errors or inaccuracies.

Information contained herein is intended to provide a product description only. No license, express or implied, by estoppel or otherwise, to any intellectual property rights is granted by this document. Except as provided in Vishay's terms and conditions of sale for such products, Vishay assumes no liability whatsoever, and disclaims any express or implied warranty, relating to sale and/or use of Vishay products including liability or warranties relating to fitness for a particular purpose, merchantability, or infringement of any patent, copyright, or other intellectual property right.

The products shown herein are not designed for use in medical, life-saving, or life-sustaining applications. Customers using or selling these products for use in such applications do so at their own risk and agree to fully indemnify Vishay for any damages resulting from such improper use or sale.