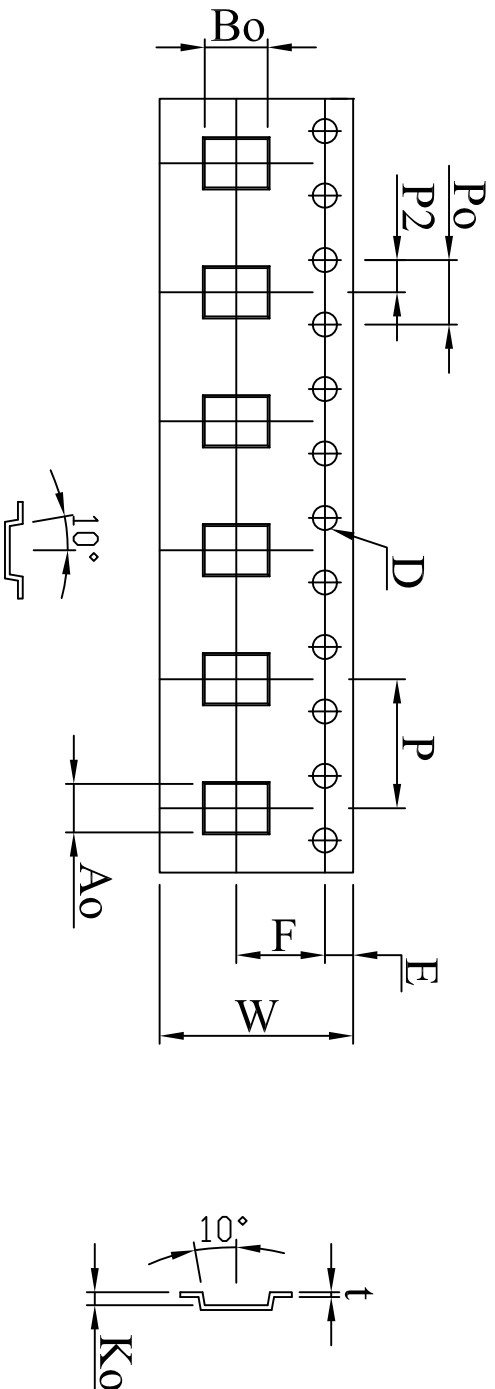


SPEC NO: PG3038005B



1. 10 sprocket hole pitch cumulative tolerance $\pm 0.20\text{mm}$.

2. Carrier camber not to exceed 1mm in 250mm.

3. A and B measured on a plane 0.3mm above the bottom of the pocket.

4. K measured from a plane on the inside bottom of the pocket to the top surface of the carrier.

5. All dimensions meet EIA-481-B requirements.

6. Material: Transparency Anti-static polystyrene Alloy.

7. Packing length per 22" reel : 124 Meters.(1:6)

8. Component load per 7" reel : 2500 pcs.
(before 20 after 50 pcs)

RATIO 2 : 1

ITEM	SPEC
W	12.0 +0.30 -0.30
Ao	3.00 +0.10 -0.10
B0	3.90 +0.10 -0.10
Ko	0.80 +0.10 -0.10
P	8.00 +0.10 -0.10
F	5.50 +0.05 -0.05
E	1.75 +0.10 -0.10
D	1.50 +0.10 -0.00
D1	0.00 +0.10 -0.10
P0	4.00 +0.10 -0.10
P2	2.00 +0.05 -0.05
t	0.30 +0.05 -0.05

編號	更改內容	更改者	日期	APPROVAL	CUSTOMER	DRAWING NO
						111871
					SPEC NO	TOOLING
					PG3038005B	81401
					DATE ISSUED	UNIT
					09/NOV/11	mm
					DRAWER	沈晏菱