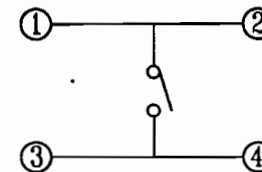
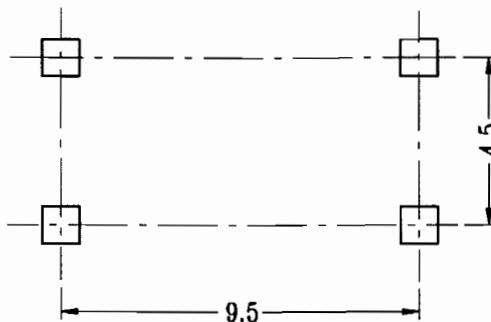
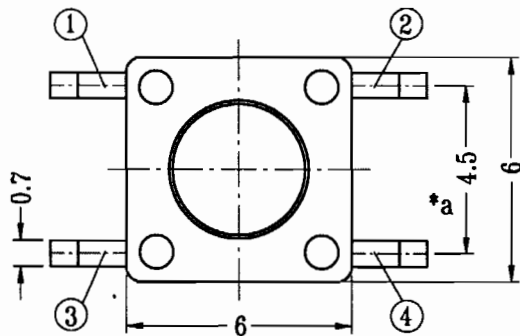


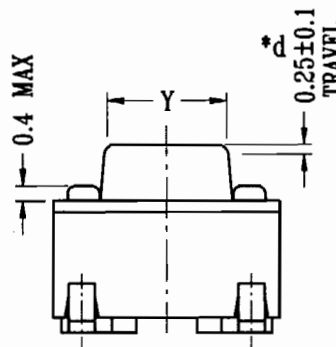
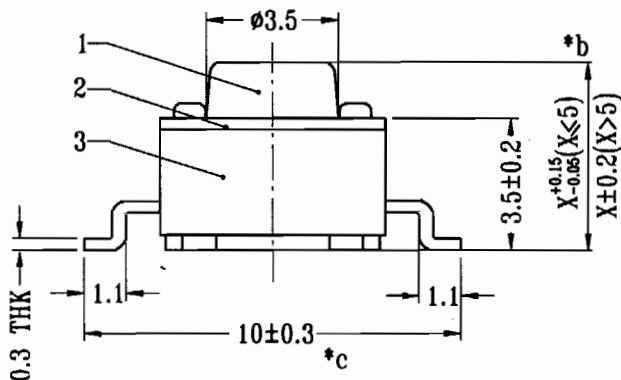
CAD FILE:



SCHEMATIC



P.C.B LAYOUT
TOP VIEW



注:*表示关键尺寸(4个)

△	TD-03XN	TD06XN	17.0	ø2.7
△	TD-03XM	TD06XM	13.5	ø3.2
△	TD-03XT	TD06XT	14.0	ø3.1
△	TD-03XQ	TD06XQ	11.0	ø3.2
△	TD-03XH	TD06XH	13.0	ø3.3
△	TD-03XF	TD06XF	12.5	ø3.0
△	TD-03XP	TD06XP	10.5	ø3.2
△	TD-03XE	TD06XE	9.5	ø3.3
△	TD-03XL	TD06XL	9.0	ø3.1
△	TD-03XK	TD06XK	8.5	ø3.1
△	TD-03XD	TD06XD	8.0	ø3.3
△	TD-03XC	TD06XC	7.3	ø3.3
△	TD-03XB	TD06XB	7.0	ø3.3
△	TD-03XR	TD06XR	6.0	ø3.4
△	TD-03XA	TD06XA	5.0	ø3.4
△	TD-03XG	TD06XG	4.3	ø3.5
△	TD-03XS	TD06XS	4.2	ø3.5
△	MODEL NO.	KNOB TYPE	X	Y

8					TOLERANCE			增加明细表: △, △, △, △;	
7					UNLESS SPECIFIED			更改前产品型号 MODEL: TD-03XG (A. B. C. D. E. F.)	地成
6					WITHIN 1.5mm : ±0.1mm	G	29-Jan-2010	H. K. L. M. N. S).	
5					OVER 1.5mm : ±0.2mm	ISSUE	DATE	DESCRIPTIONS OF REVISION	APPD.
4	CONTACT	PBS C5210R-EH	1	Ag CLAD	TITLE : TACT SWITCH			UNIT : mm	DRWG NO.: TT-DR-TD03XA-00
3	CASE	FR52/BRASS SRTIP	1	BLACK/Ag PLATED OVER Ni PLATED	MODEL: TD-03XA~XS			SCALE: 5 : 1	DWN. 陈丽冰 29-Jan-2010
2	COVER	STEEL STRIP	1	Ni PLATED	WEALTH METAL FACTORY LTD.			CHK'D	29 Jan 2010
1	KNOB	FR52	1	BLACK				APPD.	
NO.	PARTS	MATERIALS	Q'TY	FINISH					