



RAS SERIES

ORDER CODE

RAS-12-10-A

□: 1c
A: 1a
B: 1b
M: Automobile Relay

10: 10A 03: DC 3V
15: 15A 05: DC 5V
20: 20A (M type) 06: DC 6V

COIL VOLTAGE 09: DC 9V
12: DC 12V
18: DC 18V
24: DC 24V
36: DC 36V
48: DC 48V

TYPE



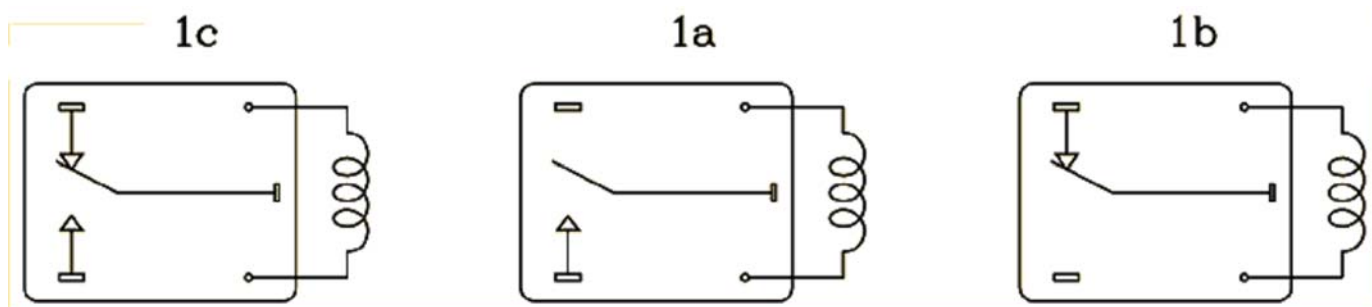
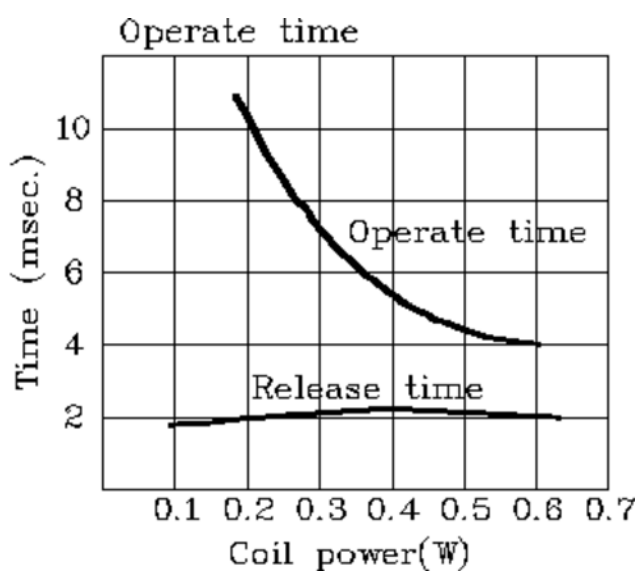
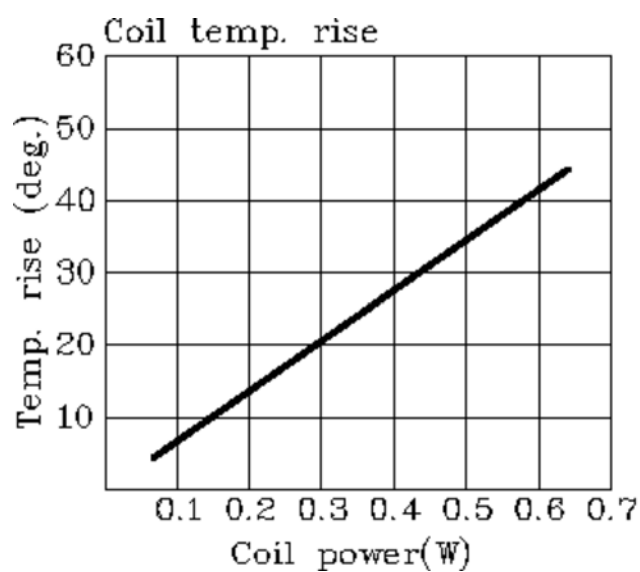
Main Features:

- UL, CUR & TUV safety approval.
- Heavy current up to 15 amps available, and special 20amps for using on the car.
- Epoxy seal type and flux free.
- Satisfying all requirements for use in car and household electric appliances.

COIL RATING (at 20°C)

NOMINAL VOLTAGE (VDC)	COIL RESISTANCE (Ω) (+/- 10%)	POWER CONSUMPTION (W)	NOMINAL CURRENT (mA) (+/- 10%)	PULL IN VOLTAGE (VDC)	DROP OUT VOLTAGE (VDC)	MAX. ALLOWABLE VOLTAGE (VDC)
3V	25 Ω	0.36W	120 mA	75 % MAX.	10 % MIN.	130 %
5V	69 Ω		72 mA			
6V	100 Ω		60 mA			
9V	225 Ω		40 mA			
12V	400 Ω		30 mA			
18V	900 Ω		20 mA			
24V	1600 Ω		15 mA			
36V	3600 Ω		10 mA			
48V	4500 Ω	0.51W	10.6 mA			
12V (M type)	225 Ω	0.64W	53.3 mA	65 %	8 %	110 %

PERFORMANCE (at initial value)

WIRING DIAGRAMS (Bottom View)**REFERENCE DATA****Taipei Head Office**

Address: 246 Lian Cheng Road, Chung-Ho City, Taipei, Taiwan

Tel: +886-2-22263388

Fax: +886-2-22263066

Home page: <http://www.sunhold.com>

E-mail: sunhold@sunhold.com

Gung-Dong Factory

Address: 1st Industrial Zone, Da-Jing Hou-Jie Town, Dong-Guan City, Guang-Dong, China

Tel: +86-769-5827502

Fax: +86-769-5827503