

F7115 = Product group; Product group discount F 71 1_

BNC Jacks

For Crimping and Soldering
Wave Resistance: 50 Ohm
Series: EUG, UG

Construction and Specifications

Please see introduction text "F7112 to F7154" before product group F7112.

EUG1094U, UG1094U, UG1094CR, UG1094ISO, UG290U

Features

- 50Ω-BNC jacks to fit into front panels
- Cable connection
- UG1094ISO for off-earth assembly
- RoHS compliant

Part Nr.	Version	Connection	FP _{Max.} [mm]	Assembly
EUG1094U	Ind	Solder	4,0	Central
UG1094U	Mil	Solder	4,0	Central
UG1094CR	Mil	Crimp	6,0	Central
UG1094ISO	Ind	Solder	4,0	Central
UG290U	Mil	Solder	-	4xM2,5

FP_{Max.} = Maximum Front Panel Strength

UG1094PR, UG1094PR-HP, EUG1094ME

Features

- 50Ω BNC jacks suitable for soldering into a PCB
- RoHS compliant

Part Nr.	Version
UG1094PR	Ind. Insulated
UG1094PR-HP	Ind. Insulated
EUG1094ME	Ind. 100% Metal

EUG92ISO

Features

- 50Ω BNC jacks to fit into front panels, central attachment
- Connection by BNC plug
- Off-earth assembly
- RoHS compliant

Part Nr.	Version	Connection	FP _{Max.} [mm]
EUG92ISO	Ind	Plug	5,5

FP_{Max.} = Maximum Front Panel Strength

Note

Suitable crimping tools and coax cable strippers are available in our red "Components and Devices" catalogue at product group T4615.

Terms of Delivery

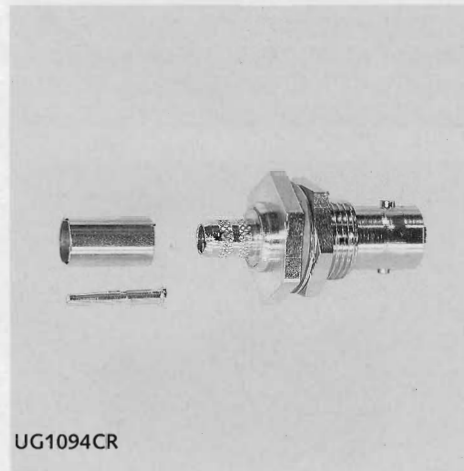
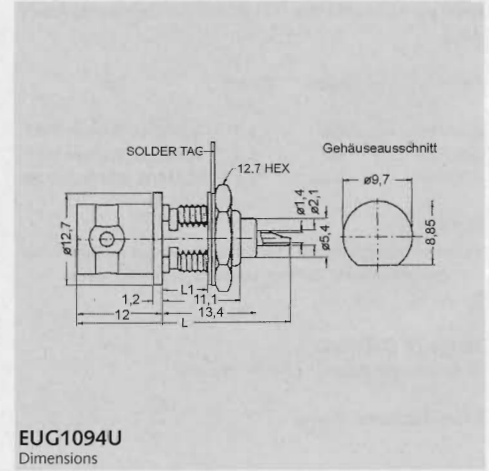
Minimum order quantity: 1 PKU = 10 pieces

Manufacturer: Various

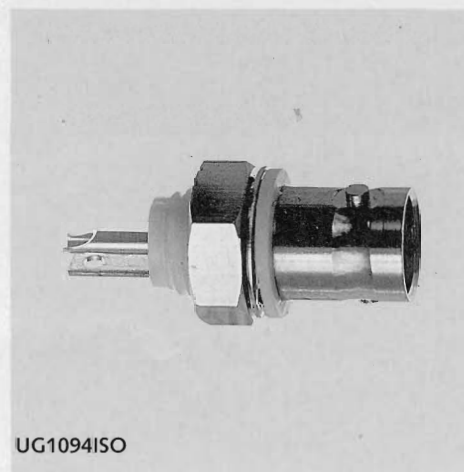
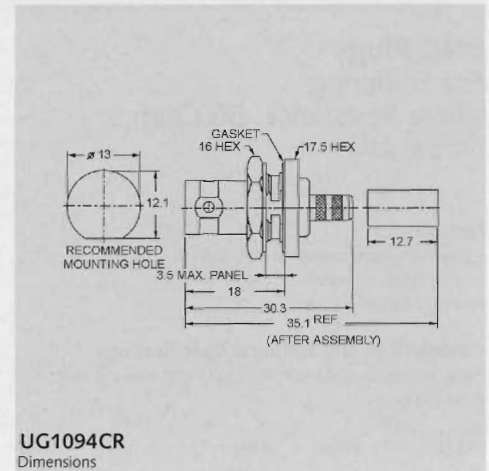
Part Nr.	Part description
EUG1094U	BNC-Jack Solder Ind
UG1094U	BNC-Jack Solder Mil
UG1094CR	BNC-Jack Crimp Mil RG58
UG1094ISO	BNC-Jack Insulated Ind RG58
UG1094PR	BNC-Jack Insulated Solder Ind
UG1094PR-HP	BNC-Jack Metal Solder High Prof.
EUG1094ME	BNC-Jack Solder Ind.
UG290U	BNC-Jack Square-Flange Mil
EUG92ISO	BNC-Jack Insulated Ind RG58



EUG1094U, UG1094U



UG1094CR



EUG1094ISO

