

凯普电子

Ningbo Keep Improving Electronics Factory

Engineering laboratory Specification 制 品 规 格 书					
产品型号 : KPS-4210			产品图号 : KP3.840.406		
概述 Scop.	此确认书仅使用在电子式报警器 This specification is only used for electronic siren				
编号 NO.	项目 Items	规格 Specifications			
1	额定电压 Rated Voltage	9VDC			
2	工作电压 Operating Voltage	6-12VDC			
3	额定电流 Max. Rated Current	50mA / 9VDC			
4	额定声压 Min. Sound Pressure Level	98dB at 9VDC/30cm			
5	谐振频率 Resonant Frequency	2.8 ± 0.5KHz			
6	音调 Tone Nature	Siren			
7	塑壳材料 Case Material	ABS			
8	工作温度 Operating Temperature	-20 ~ +60			
9	贮存温度 Store Temperature	- 30 ~ +70			
10	重量 Weight	19g			
备注 Note:					
设计 Designed By	陈慧胜	查核 Checked		承认 Approved By	
日期 :		图号 :	KP3.840.406G		

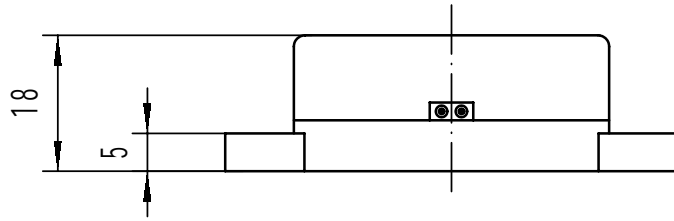
1

2

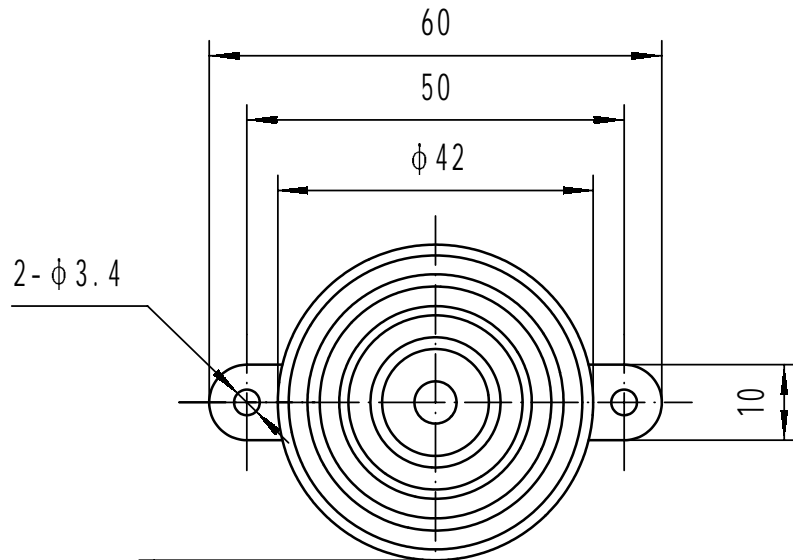
3

4

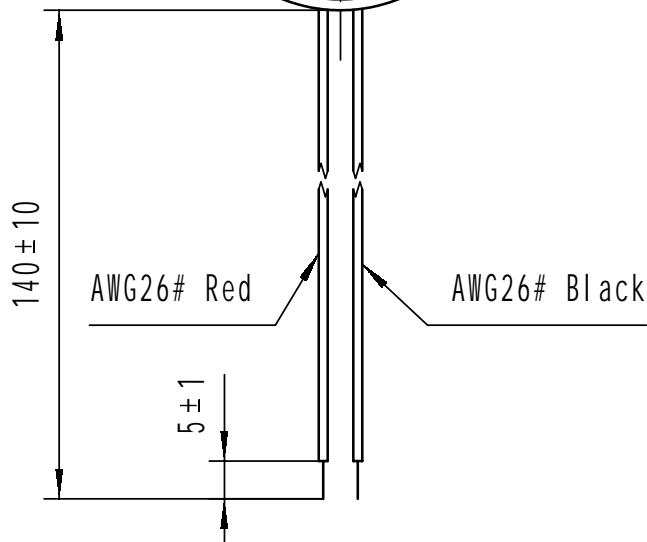
A



B



C



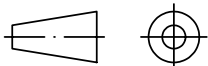
D

TOLERANCES UNLESS NOTED OTHERWISE

.X ±
.XX ±
.XXX ±

90° FORMED +2°
ANGLES -1°

FIRST ANGLE PROJECTION



	SIGN	DATE
DRAWN		02.06.22
DESIGN		
CHECK		
APPROVED		
CONTRACT NO.		

AGENCY APPROVAL

KEPO MODEL NO.	CUSTOMER
KPS-4210	
DWG NO.	CUSTOMER NO.
KP3.840.406WX	

REV	1.0	SHEET	
UNIT:		SCALE	

KEPO CO. LTD.

TEL: (+86)574-88370330
FAX: (+86)574-88370329

1

2

3

4