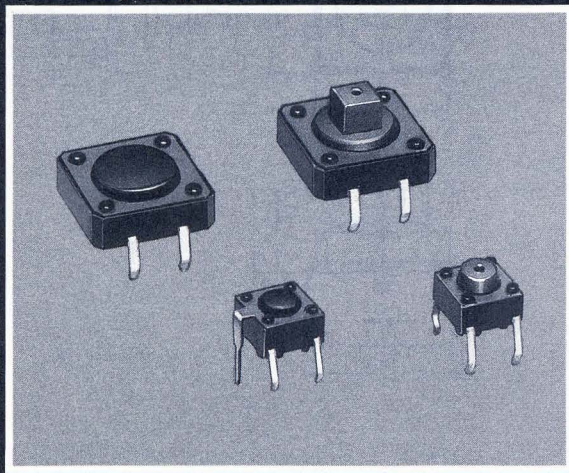


# TACTILE SWITCHES

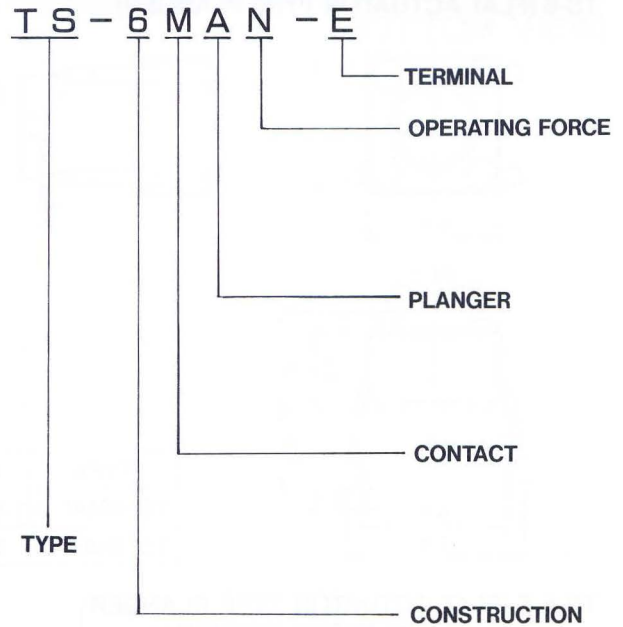
# TS Series

## ● FEATURES

- Light clicking can be obtained by employing a disk spring contact.
- Simplified structure has realized low price and high reliability.
- Ultraminiature and compact configuration. Also suitable for high-density mounting.
- Stable contact resistance.
- Dielectric strength (500V AC, 1 minute), and high insulation (1,000MΩ at 250 V DC)
- High Operating force type, Super high operating force type available.



## ORDERING INFORMATION



- TERMINAL**      NIL. : Standard Type  
                      E : Earth Terminal Type※1
- OPERATING FORCE**    N : Standard Type  
    (Planger Color ..... Black)  
    H : High Operating Force Type  
    (Planger Color ..... Sky Blue)  
    S : Super High Operating Force Type  
    (Planger Color ..... Red)
- PLANGER**                    A : Flat Actuator Type (H=4.3mm)  
    (LENGTH:H)                    B : Flat Actuator Type (H=5.0mm)※1  
    D : Key Top Button Type
- CONTACT**                    M : Mechanical Contact
- CONSTRUCTION**            6: 6mm Square  
    12: 12mm Square

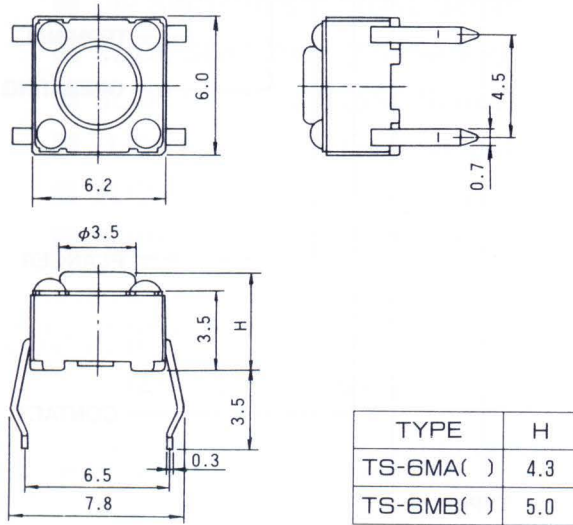
(Note 1) ※1.....only 6mm Square Type

## SPECIFICATIONS

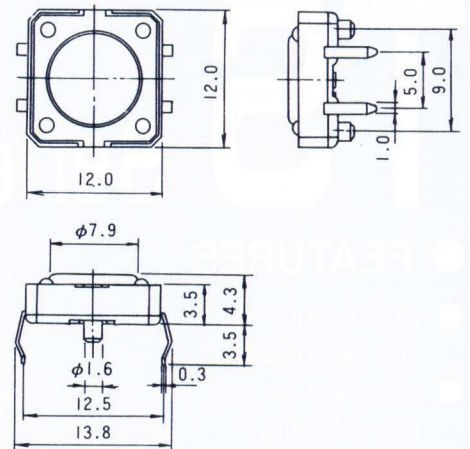
ITEMS	TYPES				
	TS-6M ( ) N	TS-6M ( ) H	TS-6M ( ) S	TS-12M ( ) N	TS-12M ( ) S
Contact Arrangement	1 M				
Contact Rating	50mA 24VDC (Resistive Load)				
Contact Resistance	Max. 100mΩ (Initial Value)				
Contact Bounce	Max. 5mS (Initial Value)				
Operating Force	100±30 (g)	160±50 (g)	260±70 (g)	130±50 (g)	260±70 (g)
Travel	0.25 <sup>+0.2</sup> <sub>-0.1</sub> (mm)			0.3 <sup>+0.2</sup> <sub>-0.1</sub> (mm)	
Life Expectancey (Electrical)	5×10 <sup>5</sup> ope.	1×10 <sup>5</sup> ope.		1×10 <sup>6</sup> ope.	5×10 <sup>5</sup> ope.
Insulation Resistance	Min. 1000MΩ at 250VDC				
Dielectric Strength	500VAC 1 minute				
Temperature Range	-20°C to +70°C				
Strage Temperature Range	-40°C to +85°C				
Unit Weight	approx. 0.25 (g)			approx. 0.87 (g)	

# DIMENSIONS (mm)

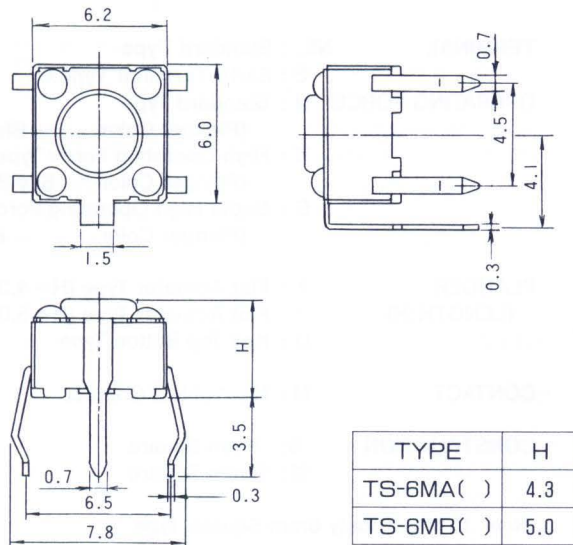
## TS-6 (FLAT ACTUATOR TYPE PLANGER)



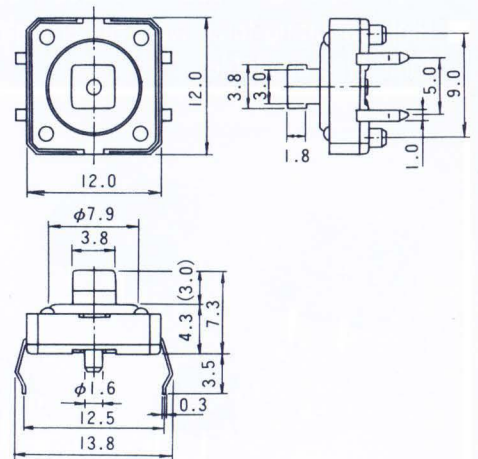
## TS-12 (FLAT ACTUATOR TYPE PLANGER)



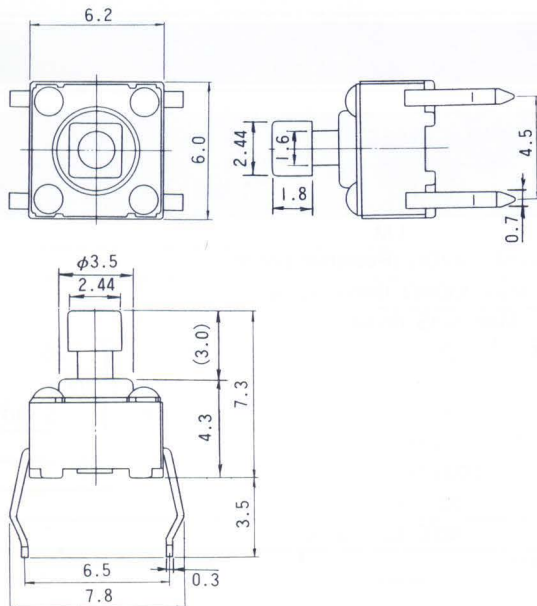
## TS-6-E (FLAT ACTUATOR TYPE PLANGER with EARTH TERMINAL)



## TS-12 (KEY TOP BUTTON TYPE PLANGER)

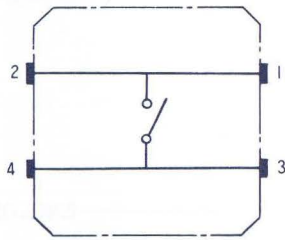


## TS-6 (KEY TOP BUTTON TYPE PLANGER)



# WIRING DIAGRAM

(BOTTOM VIEW)



# DRILLING PLAN (mm)

(BOTTOM VIEW)

