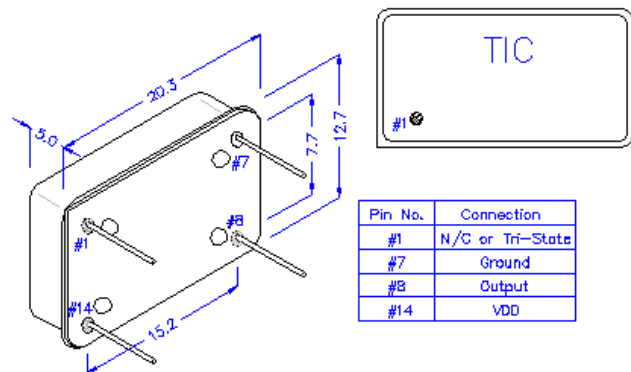




Preview of Quartz Oscillator Full Size

Preview #: 18M432BBRAKBKB-CX14

1. **Nominal Frequency** -- 18.432 MHz
2. **Holder Type** -- Full Size



3. **Dimension (mm)** --
4. **Frequency Stability** -- +/-15ppm
5. **Output Load** -- 15 pF
6. **Output Mode** -- CMOS
7. **Operating Temperature** -- 0°C ~ +70°C
8. **Storage Temperature** -- -40°C ~ +85°C
9. **Input Voltage** -- 5.0V +/-10%
10. **Input Current** -- 15Ma max
11. **High Output Voltage** -- 90% Vdd min
12. **Low Output Voltage** -- 10% Vdd max
13. **Output Symmetry** -- 45% ~ 55%
14. **Output Rise Time** -- 5nS max



TECHNICAL CRYSTAL (CHINA) LIMITED

德力高石英(中國)有限公司

Unit 750, Block F, Wah Lok Industrial Centre, 31-35 Shan Mei Street, Fotan, N.T., Hong Kong
香港新界火炭山尾街31-35號華樂工業中心 F座7樓50室

Tel: (852) 2688 2033
Fax: (852) 2688 2031
E-mail: tic@tecko.com
<http://www.tecko.com>

- 15. Output Fall Time -- 5nS max
- 16. Aging -- +/-5ppm / year
- 17. Package -- Sheet
- 18. Others --

*** End of Preview ***