



LEDTECH ELECTRONICS CORP.

: NANYA ROAD,MUGANG ZHAOQING
: CITY GUANGDONG CHINA.
: TEL:86-758-2875541,2870651,2877464,2876185,2877017
: FAX:86-758-2878014
: [Http://www.ledtech.com.tw](http://www.ledtech.com.tw)

SPECIFICATION

PART NO. : LT98W3-81-UAE3

8.0MM ROUND LED LAMP

Approved by	Checked by	Prepared by
<i>San</i>	<i>Spring</i>	<i>Bao Min</i>



**10.0MM ROUND LED LAMP
PART NO. : LT98W3-81-UAE3**

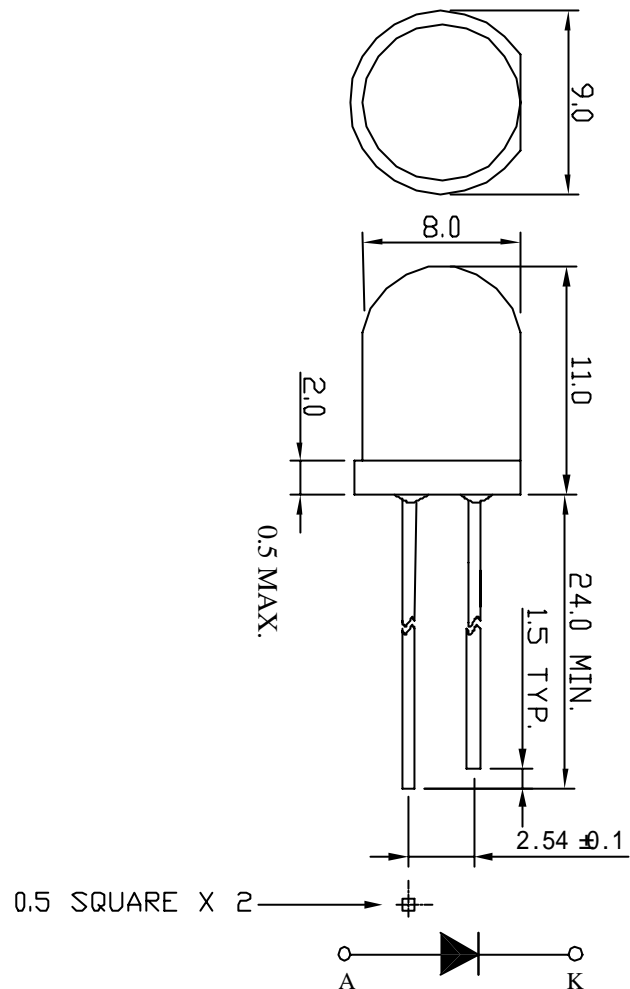
Features

- * High intensity
- * Reliable and rugged
- * Low current requirement
- * IC compatible

Description

The White lamps are made with InGaN chips and water clear epoxy resin.

Package Dimensions



Notes:

1. All dimensions are in millimeters.
2. Tolerance is ± 0.25 mm unless otherwise noted.

Part No.	Led Chip		Lens Color
	Material	Emitting Color	
LT98W3-81-UAE3	InGaN	White	Water clear



10.0MM ROUND LED LAMP
PART NO. : LT98W3-81-UAE3

Absolute Maximum Ratings at Ta=25 :

Parameter	Symbol	Rating	Unit
Power Dissipation	Pd	80	mW
Reverse Voltage	Vr	5	V
D.C. Forward Current	If	20	mA
Peak Current (1/10 Duty Cycle , 0.1 ms Pulse Width)	If(Peak)	100	mA
Operating Temperature Range	Topr	-25 to +85	
Storage Temperature Range	Tstg	-40 to +100	
Lead Soldering Temp.(1.6mm from body) for 5 seconds		260	
Electrostatic discharge (ESD)		300	V

Electrical and Optical Characteristics :

Parameter	Symbol	Condition	Min.	Typ.	Max.	Unit
Luminous Intensity	Iv	If=20mA	1600	2700		mcd
Forward Voltage	Vf	If=20mA		3.2	4.0	V
CIE Chromaticity coordinates : X Axis	X	If=20mA		0.290		
CIE Chromaticity coordinates : Y Axis	Y	If=20mA		0.300		
Reverse Current	Ir	Vr=5V			50	μ A
Viewing Angle	2 1/2	If=20mA		28		deg



**10.0MM ROUND LED LAMP
PART NO. : LT98W3-81-UAE3**

Typical Electrical/Optical Characteristic Curves
(25 Ambient Temperature Unless Otherwise Noted)

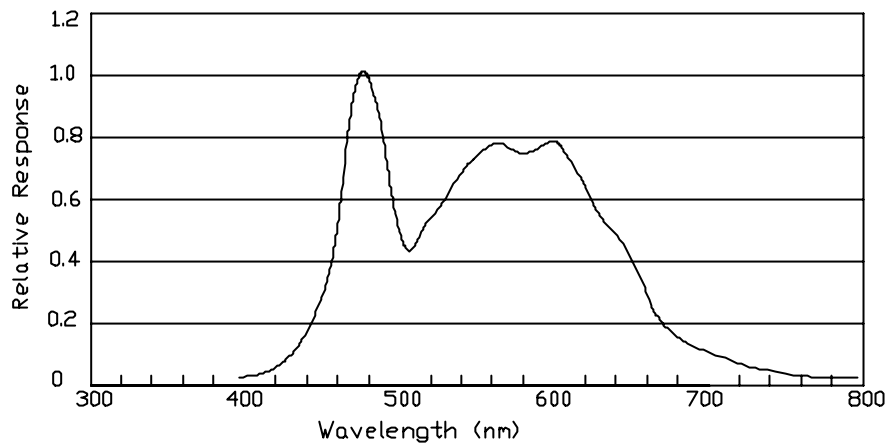
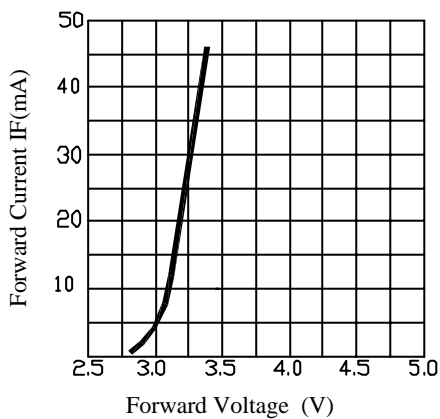
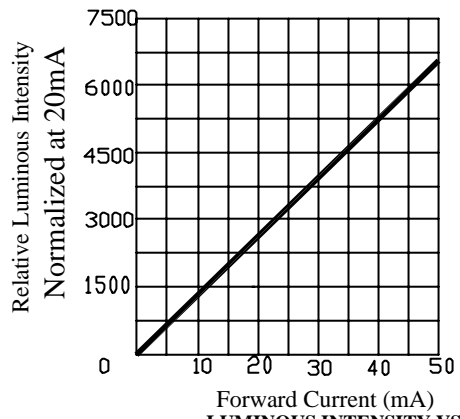


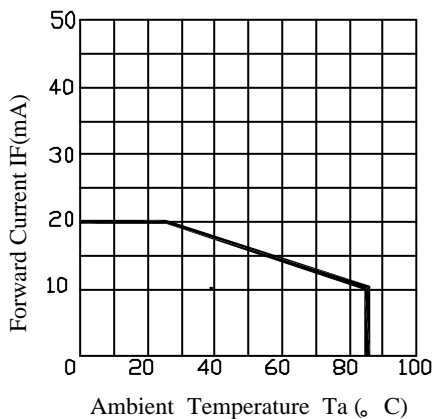
Fig.1 WHITE LED Spectrum VS. WAVELENGTH



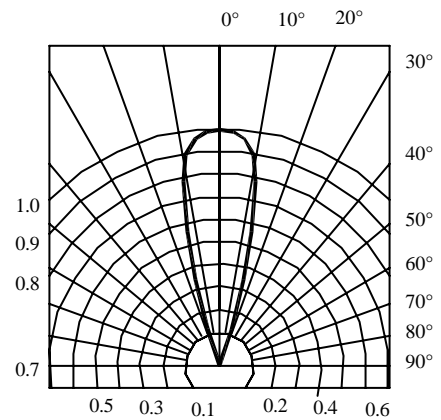
FORWARD CURRENT VS. APPLIED VOLTAGE



LUMINOUS INTENSITY VS. FORWARD CURRENT



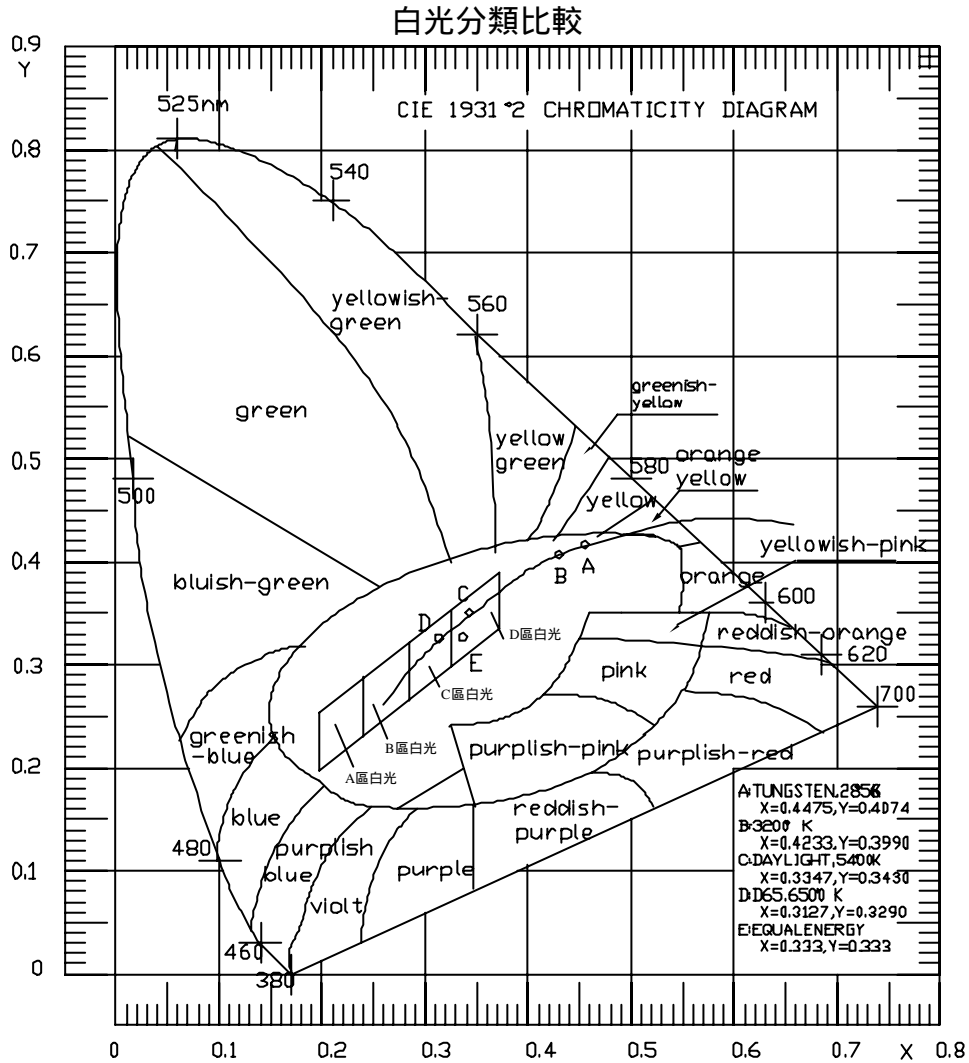
FORWARD CURRENT VS. AMBIENT TEMPERATURE



RELATIVE INTENSITY VS. WAVELENGTH



10.0MM ROUND LED LAMP
PART NO. : LT98W3-81-UAE3



Rank	Chromaticity Coordinates(Ledtech Preliminary)				
A	X	0.22	0.22	0.26	0.26
	Y	0.22	0.28	0.31	0.25
B	X	0.26	0.26	0.29	0.29
	Y	0.25	0.31	0.33	0.27
C	X	0.29	0.29	0.32	0.32
	Y	0.27	0.33	0.35	0.29
D	X	0.32	0.32	0.36	0.36
	Y	0.29	0.35	0.38	0.32
Tolerance		X= ± 0.02		Y= ± 0.02	



**10.0MM ROUND LED LAMP
PART NO. : LT98W3-81-UAE3**

Reliability Test Method :

Test Item	Test Condition	Duration Time
Operation Life	If=20mA / Ta=25	168hrs
Storage at High Temperature	Ta=100	168hrs
Storage at Low Temperature	Ta=-40	168hrs
Storage at High Temperature/High Humidity	Ta=85 /RH=85 %	168hrs
Operating at High Temperature	Ta=85 / If=20mA	168hrs
Operating at Low Temperature	Ta=-25 / If=20mA	168hrs
Thermal Shock	Ta/T=100 /30min~ -40 /30min	10 cycles
Solderability	Tsol=230	5 sec

Criteria for Judging The Damage:

Item	Symbol	Test Condition	Criteria for Judgment	
			Min.	Max.
Forward Voltage	Vf	If=20mA	-----	Initial Data x1.1
Reverse Current	Ir	Vr=5V	-----	100 μ A
Luminous Intensity	Iv	If=20mA	Initial Data x0.8	-----

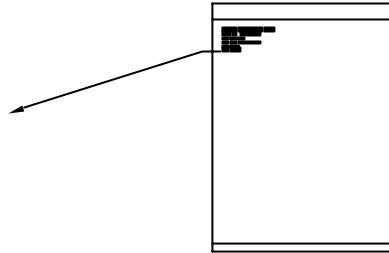


**10.0MM ROUND LED LAMP
PART NO. : LT98W3-81-UAE3**

ENCASED TYPE

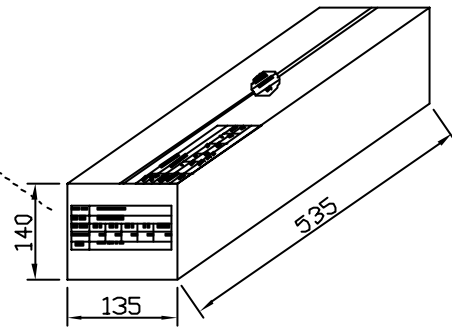
PLASTIC PACKAGE
QUANTITY: 500 PCS

LEDTECH ELECTRONICS CORP.					
PART NO :LTXXXX-XX					
QTY	: PCS				
LOT NO	:XXXXXXXXXX				
DATE	:				
BIN CODE:					



INNER BOX
QUANTITY: 10 PACKETS
TOTAL: 5,000 PCS

PART NO.	LXXXX-XX-XX				
LOT NO.	XXXXXXXXXX				
BIN CODE	Xx X	Xx X	Xx X	Xx X	TOTAL
QUANTITY	PCS	PCS	PCS	PCS	PCS
DATE	XXXX, XX, XX				



OUTER CARTON
QUANTITY: 4 BOX
TOTAL: 20,000 PCS

C/T NO. 箱號	XX
PART NO. 料號	LXXXX-XX-XX
QUANTITY 數量	PCS
N.W. 淨重	KGS
G.W. 毛重	KGS
REMARK 備註	

