

HR963130AE

Electrical Specification @25°C

RoHS Compliant (PB Free)

Operating Temperature Range: -40°C ~ +85°C

Storage Temperature Range: -40°C ~ +85°C

Isolation: 2250VDC 0.5mA 60sec (UTP Side to Chip Side)

OCL: 350uH Minimum @100KHz 100mV with 8mADC

Insertion Loss: -1.0dB Max @1MHz ~ 80MHz / -1.2dB Max @100MHz

Return Loss: -14dB Minimum @1MHz ~ 60MHz

-10dB Minimum @60MHz ~ 100MHz

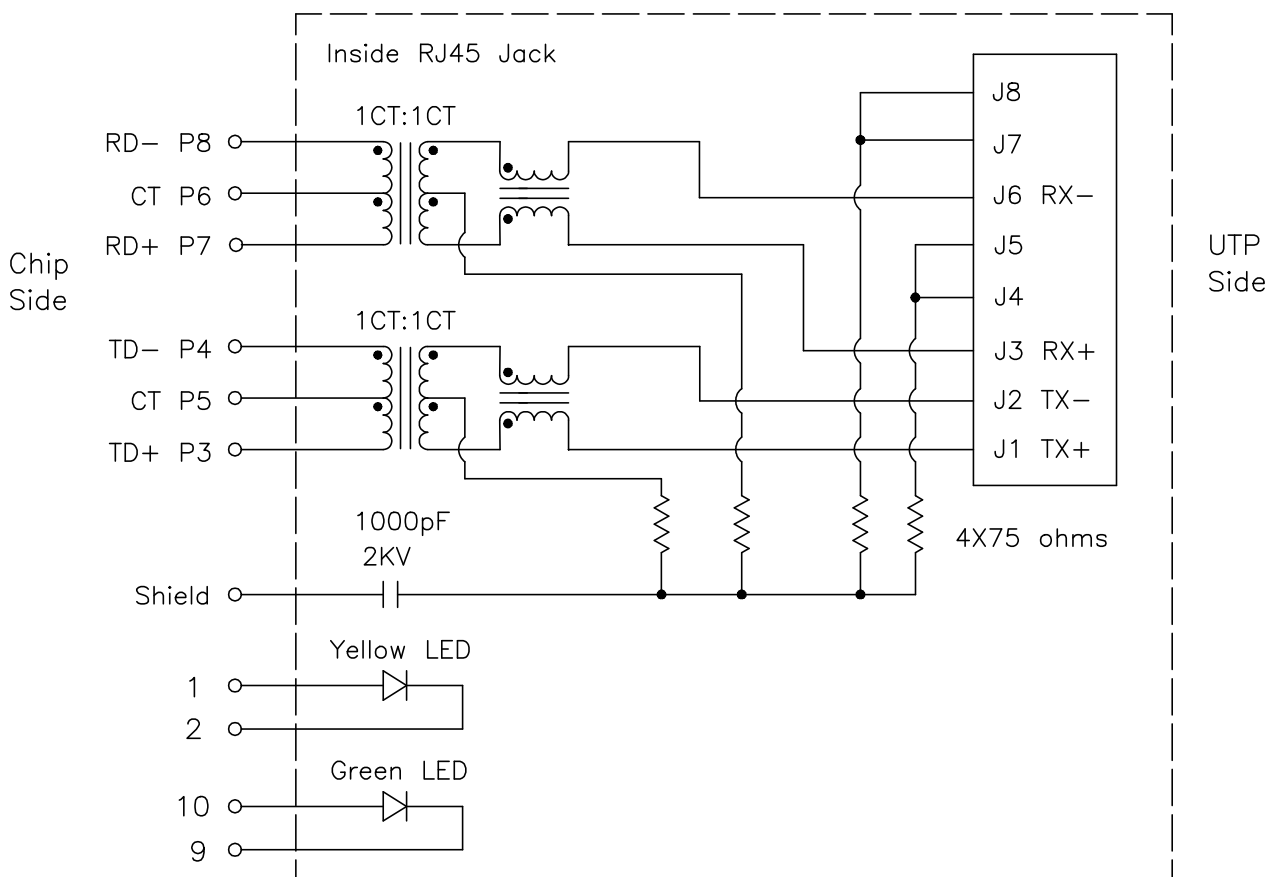
CMRR: -30dB Minimum @1MHz ~ 50MHz

-20dB Minimum @50MHz ~ 130MHz

Crosstalk: -40dB Minimum @1MHz ~ 10MHz / -35dB Minimum @30MHz ~ 60MHz

-20dB Minimum @60MHz ~ 100MHz

Schematics

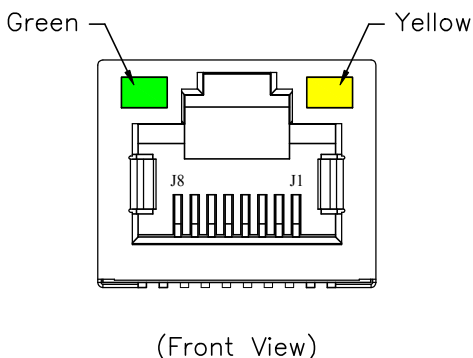
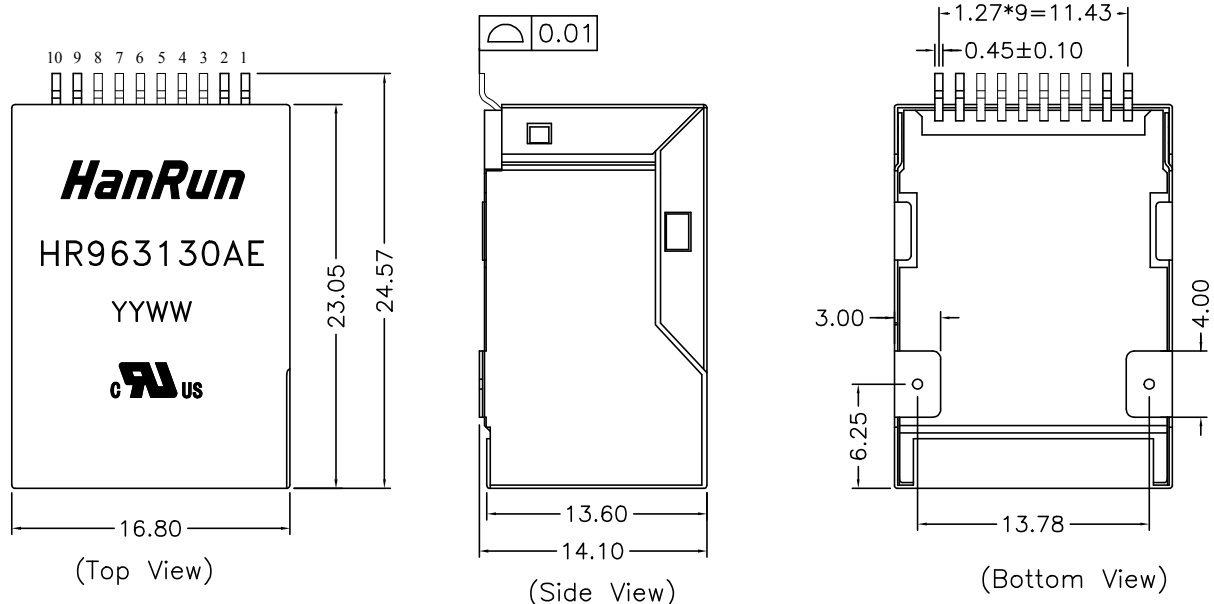


Notes: Connect CHS GND to PCB Ground

HR963130AE

- RoHS Compliant (PB Free)
- Designed for Network Interface Card Application
- Meets or Exceeds IEEE802.3 standards including 350uH Min OCL with 8mADC
- High performance for EMI suppression, Crosstalk, Return Loss and Consistent Electrical
- Minimum 2250Vdc isolation per IEEE802.3 requirement
- Minimize PCB space and Simplify PCB Layout
- Less magnetic components to place on PCB, Higher reliability and yields
- UL Recognized Component: File # E330599

Mechanical Dimensions:



Standard LED	Wavelength	Forward V (Min/Max)	Forward A	Type
Green	568nm	1.8V/2.8V	20mA	gravestone
Yellow	585nm	1.8V/2.8V	20mA	gravestone

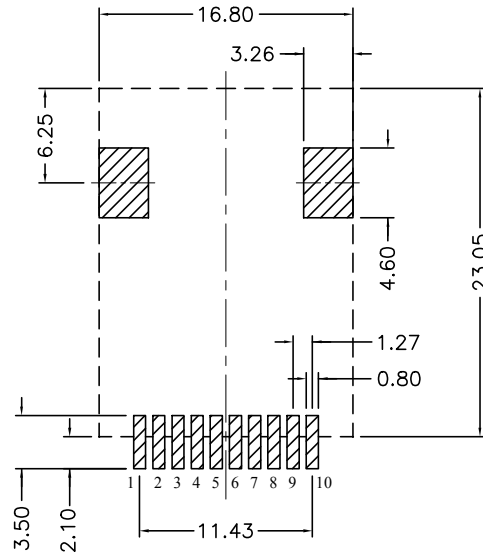
Dimensions in mm

Unless otherwise specified, Tolerance: .xx ±0.25

REV.: 01

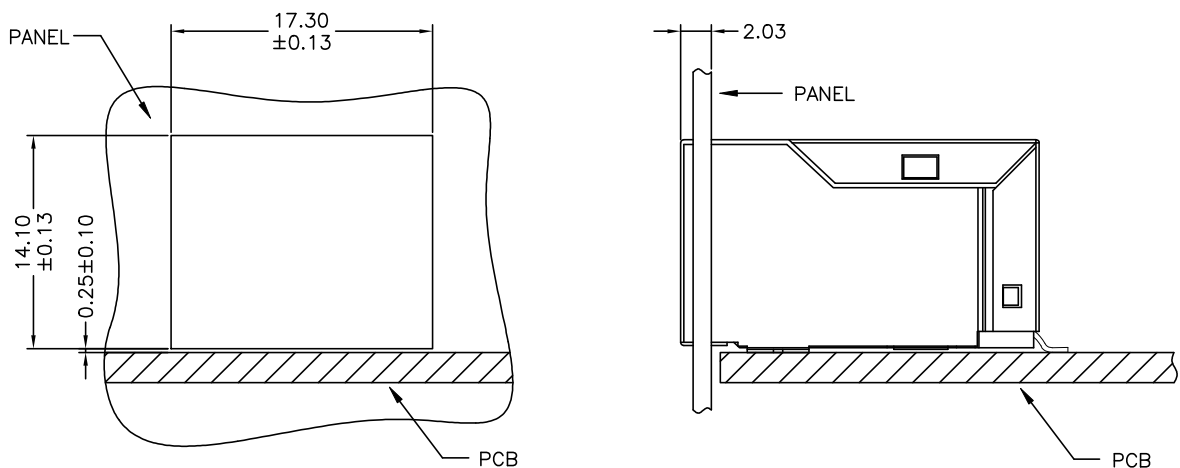
HR963130AE

PCB Layout:



(Component Side View)
(Mounting Pattern)

Suggested Panel Cutout:



Dimensions in mm

Unless otherwise specified, Tolerance: .xx ±0.25

REV.: 01

HR963130AE

Material Specification:

Housing: LCP Black UL94V-0
Shield: 50u" Nickel over 0.20mm Thickness Brass
Insert: LCP Black UL94V-0
Phosphor Bronze 0.45mm Thickness
Plating Area, 30u" gold over 50u" nickel
Solder Area, 100u" tin over 50u" nickel

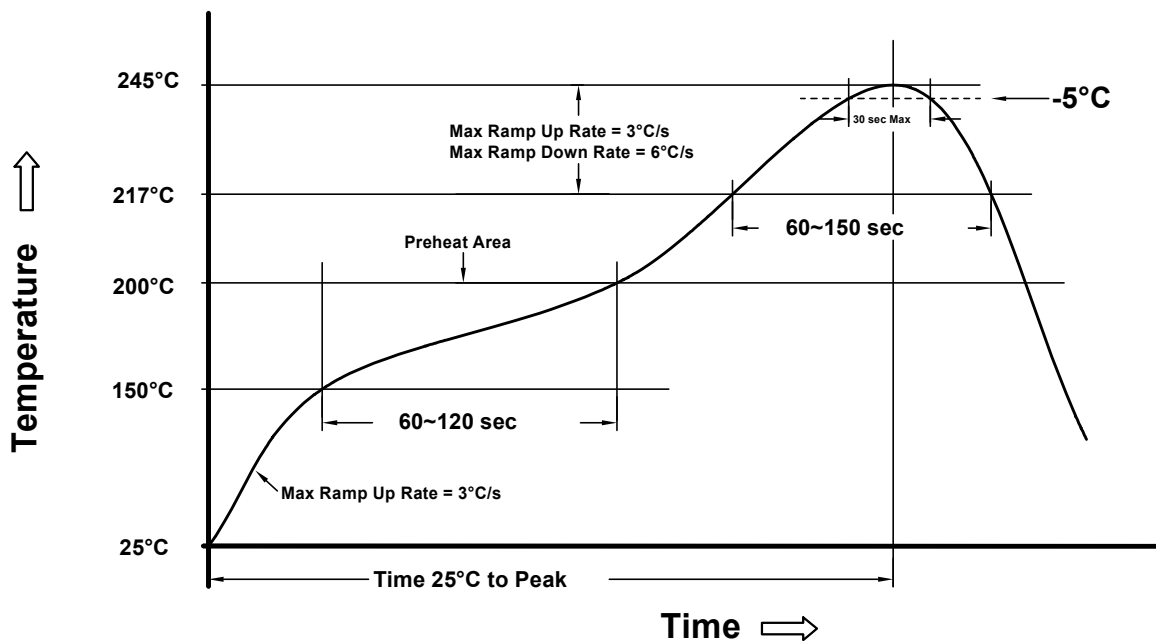
Mechanical Performance:

Mating force: 5 lbs Maximum
Unmating force: 5 lbs Maximum
Plug to Jack Retention force: 12 lbs Minimum
Operating life: 750 Cycles Minimum

Operating and Storage Temperature:

Operating Temperature Range: -40°C ~ +85°C
Storage Temperature Range: -40°C ~ +85°C

HR963130AE



Remarks:

- peak temperature = 245°C
- Maximum preheat rate = 3°C / sec
- Ramp up rate = 3°C / sec max
- Time above 217°C = 60 sec min / 150 sec max
- Maximum cooling rate = 6°C / sec
- T 25°C to peak = 8 min max
- preheat Time = 60 ~ 120 sec
- The number of allowed cycles in IR reflow ≤ 2 cycles