



LA(C)2371-41

2.3" SINGLE DIGIT DISPLAY

Features

- * SUPERBRIGHT RED
- * EXCELLENT CHARACTER APPEARANCE
- * HIGH LIGHT OUTPUT
- * RELIABLE AND RUGGED
- * IC COMPATIBLE

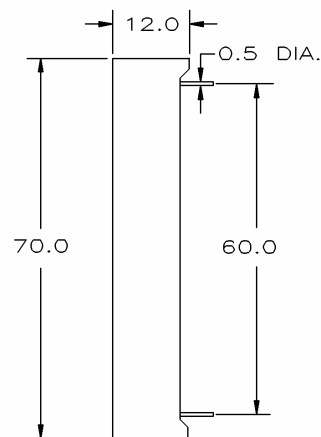
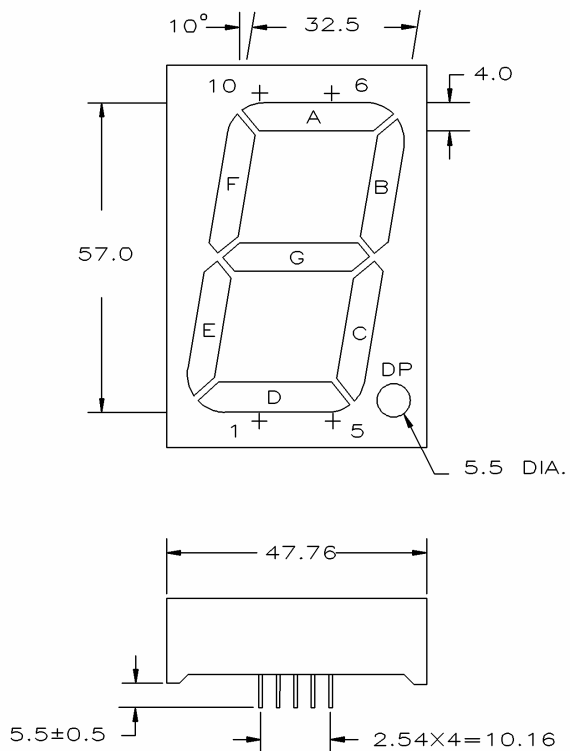
Absolute Maximum Ratings at T_A=25°C

REVERSE VOLTAGE PER LED CHIP (<100 μ A)	4.0V
D.C. FORWARD CURRENT PER LED CHIP	30 mA
PULSE CURRENT (1/10 DUTY CYCLE, 0.1 ms PULSE WIDTH) PER LED CHIP	100 mA
OPERATING TEMPERATURE RANGE	-25°C TO +85°C
STORAGE TEMPERATURE RANGE	-25°C TO +100°C
LEAD SOLDERING TEMP. (1.6mm FROM SEATING PLANE)	260°C FOR 3 SEC.

Electrical/optical characteristics at T_A=25°C

PART NUMBER	LED CHIP	FACE COLOR	PEAK WAVELENGTH @20mA(nm)	FORWARD VOLTAGE @20mA(V)		LUMINOUS INTENSITY @10mA(mcd)				
				SEG.	DP.	MIN.	TYP.			
								COMMON ANODE	COMMON CATHODE	MATERIAL
LA2371-41EWRN	LC2371-41EWRN	GaAlAs ON GaAs	RED	GREY	WHITE	660	6.8	3.4	18.3	30.5
LA2371-41BWRN	LC2371-41BWRN	GaAlAs ON GaAs	RED	BLACK	WHITE	660	6.8	3.4	18.3	30.5
LA2371-41BRRN	LC2371-41BRRN	GaAlAs ON GaAs	RED	BLACK	RED	660	6.8	3.4	18.3	30.5

Package Dimensions And Pin Function



LA2371-41 COMMON ANODE	
PIN NO.	FUNCTION
1.	COMMON ANODE
2.	CATHODE E
3.	CATHODE D
4.	CATHODE C
5.	COMMON ANODE
6.	CATHODE B
7.	CATHODE A
8.	CATHODE DP
9.	CATHODE F
10.	CATHODE G

LC2371-41 COMMON CATHODE	
PIN NO.	FUNCTION
1.	COMMON CATHODE
2.	ANODE E
3.	ANODE D
4.	ANODE C
5.	COMMON CATHODE
6.	ANODE B
7.	ANODE A
8.	ANODE DP
9.	ANODE F
10.	ANODE G

1. ALL DIMENSIONS ARE IN mm, TOLERANCE IS ±0.25mm UNLESS OTHERWISE NOTED.
 2. THE SLOPE ANGLE OF ANY PIN MAY BE ±5.0° MAX.