



LEDTECH ELECTRONICS CORP.

NANYA ROAD, MUGANG ZHAOQING
CITY GUANGDONG CHINA.

TEL: 86-758-2875541, 2870651, 2877464, 2876185, 2877017

FAX: 86-758-2878014

[Http://www.ledtech.com.tw](http://www.ledtech.com.tw)

SPECIFICATION

PART NO. : LA(C)5641-S11 EWAK

0.56"(14.2mm) SINGLE DIGIT DISPLAY

Approved by	Checked by	Prepared by
<i>San</i>	<i>Jang</i>	<i>Hong</i>



**0.56''(14.2mm) SINGLE DIGIT DISPLAY
PART NO. : LA(C)5641-S11 EWAK**

Features

- * **0.56-INCH(14.2-mm) DIGIT HEIGHT.**
- * **LOW CURRENT REQUIREMENTS.**
- * **WIDE VIEWING ANGLE.**
- * **SOLID STATE RELIABILITY**
- * **I.C. COMMPTIABLE.**
- * **CATEGORIZED FOR LUMINOUS INTENSITY.**

Description

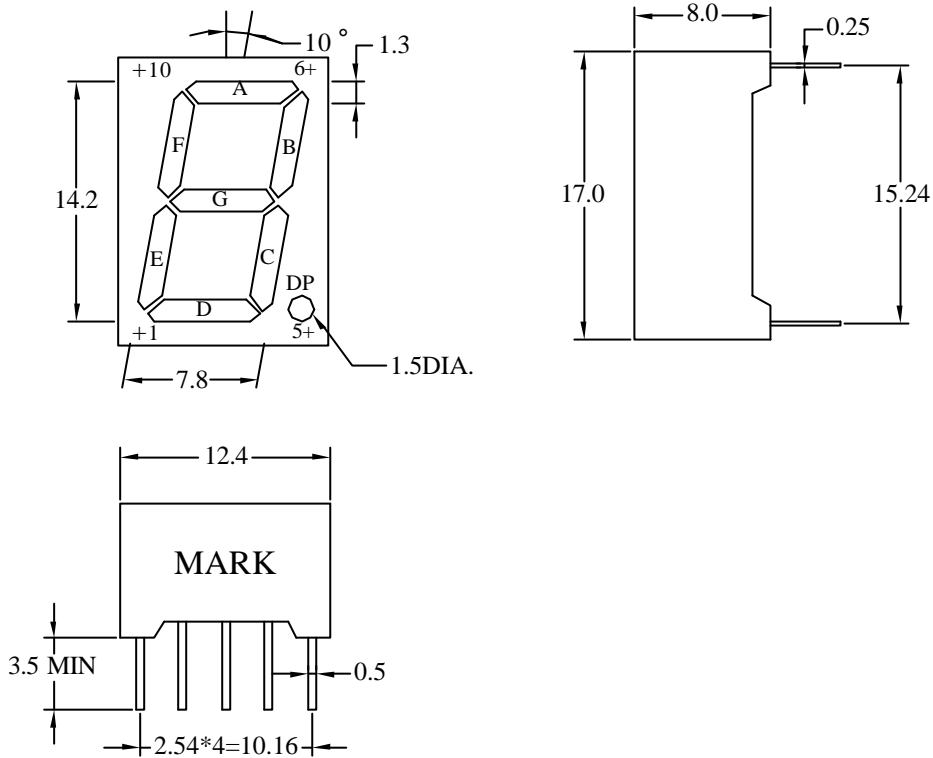
The LA(C)5641-S11 is a 0.56-inch (14.2-mm) digit height single digit seven- segment display. The orange LED chips are made from GaAsP on a transparent GaP substrate. The device has a grey face and white segments.

Part No.	LED Chip		Description
	Material	Emitting Color	
LA5641-S11 EWAK	GaAsP/GaP	Orange	Common Anode
LC5641-S11 EWAK			Common Cathode



0.56''(14.2mm) SINGLE DIGIT DISPLAY PART NO. : LA(C)5641-S11 EWAK

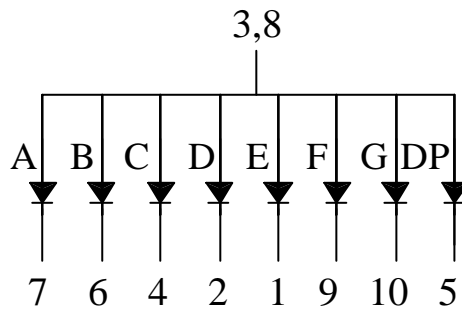
Package Dimensions



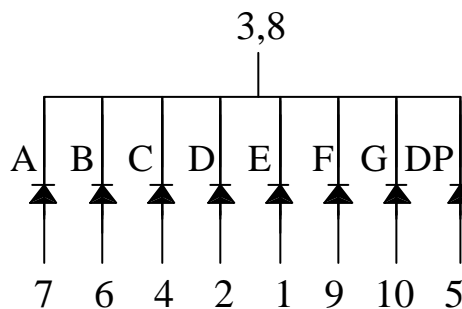
- 1. ALL DIMENSIONS ARE IN mm , TOLERANCE IS ± 0.25 mm UNLESS OTHERWISE NOTED.
- 2. THE SLOPE ANGLE OF ANY PIN MAY BE $\pm 5.0^\circ$ MAX.

Internal Circuit Diagram

LA5641-S11



LC5641-S11





**0.56''(14.2mm) SINGLE DIGIT DISPLAY
PART NO. : LA(C)5641-S11 EWAK**

Pin Function

LA5641-S11		LC5641-S11	
Pin No.	Function	Pin No.	Function
1	CATHODE E	1	ANODE E
2	CATHODE D	2	ANODE D
3	COMMON ANODE	3	COMMON CATHODE
4	CATHODE C	4	ANODE C
5	CATHODE DP	5	ANODE DP
6	CATHODE B	6	ANODE B
7	CATHODE A	7	ANODE A
8	COMMON ANODE	8	COMMON CATHODE
9	CATHODE F	9	ANODE F
10	CATHODE G	10	ANODE G



**0.56''(14.2mm) SINGLE DIGIT DISPLAY
PART NO. : LA(C)5641-S11 EWAK**

Page : 4/5

Absolute Maximum Ratings at Ta=25

Parameter	Symbol	Rating	Unit
Reverse Voltage Per LED Chip	Vr	5	V
D.C. Forward Current Per LED Chip	If	30	mA
Pulse Current Per LED Chip (1/10 Duty Cycle , 0.1 ms Pulse Width)	If(Peak)	100	mA
Operating Temperature Range	Topr	-25 to +85	
Storage Temperature Range	Tstg	-40 to +100	
Lead Soldering Temp.(1.6mm from seating plane) for 3 seconds		260	

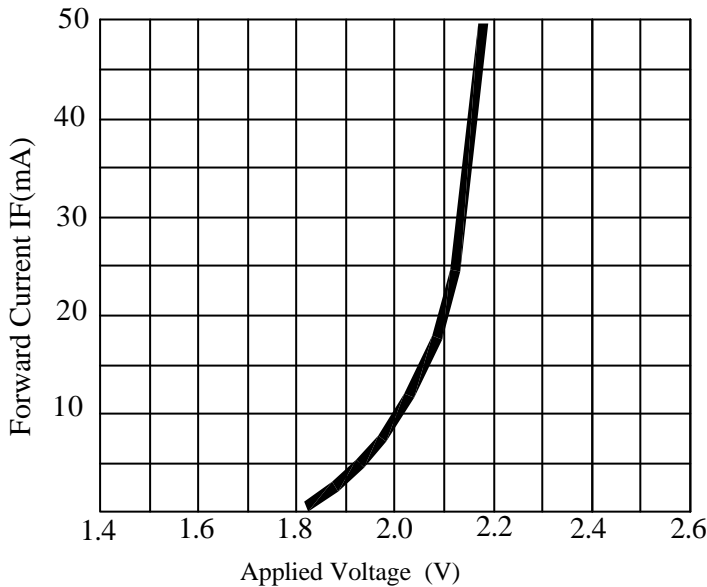
Electrical and Optical Characteristics :

Parameter	Symbol	Condition	Min.	Typ.	Max.	Unit
Luminous Intensity	Iv	If=10mA	2.0	3.3		mcd
Forward Voltage Per Segment	Vf	If=20mA		2.1	2.6	V
Wavelength	P	If=20mA		635		nm
	D		626			
Reverse Current Per Segment	Ir	Vr=5V			100	μ A
Spectrum Line Halfwidth		If=20mA		35		nm

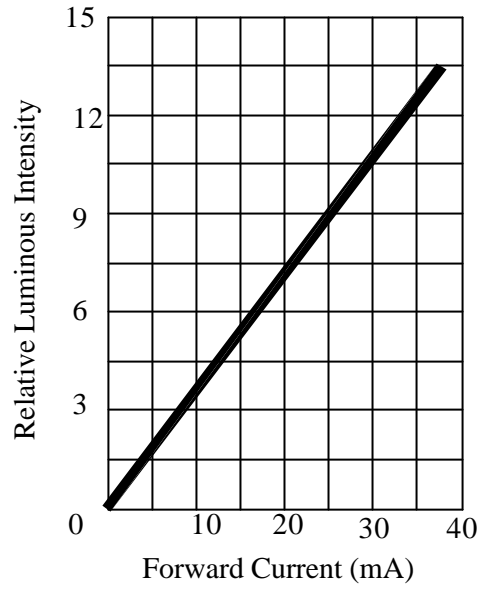


0.56''(14.2mm) SINGLE DIGIT DISPLAY
PART NO. : LA(C)5641-S11 EWAK

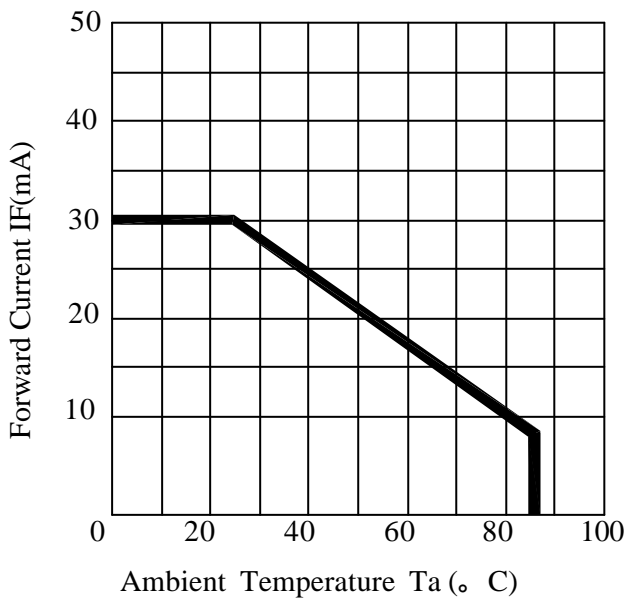
Typical Electrical/Optical Characteristic Curves
(25 Ambient Temperature Unless Otherwise Noted)



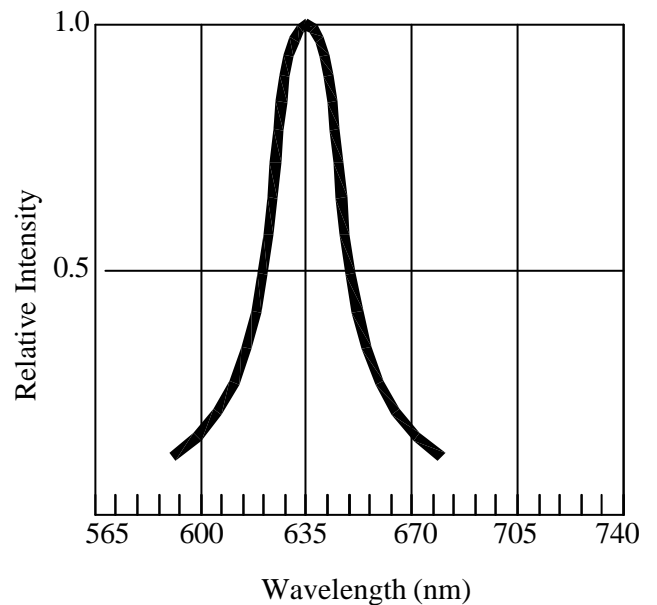
FORWARD CURRENT VS. APPLIED VOLTAGE



LUMINOUS INTENSITY VS. FORWARD CURRENT



FORWARD CURRENT VS. AMBIENT TEMPERATURE



RELATIVE INTENSITY VS. WAVELENGTH