

Nylon Cable Ties

G8451 = Product group; Product group discount G 84 5_

Nylon Cable Ties

Series: NKB

Colours: Natural, Red, Black

Features

- Resistant against oils, petrol, salt water, solvents, mould and diluted weak organic acids
- Available in several colors for clearer identification.
- NKB_SW: UV-stabilized

Technical Specifications

Material:.....Polyamide 6.6 Natural
In Accordance with MIL S-23190 and UL 94V2
 NKB_SW:.....Polyamide 6.6 UV-Stabilized
 Temperature Resistant:.....-40...+85°C

Dimensions

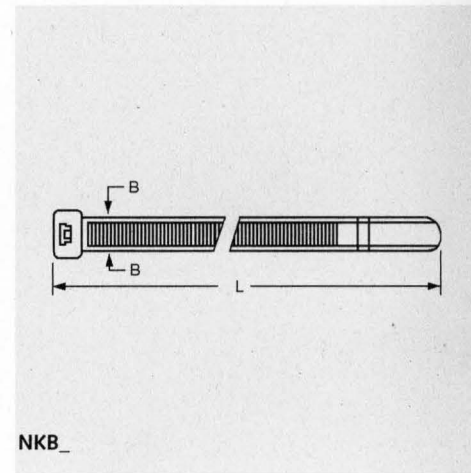
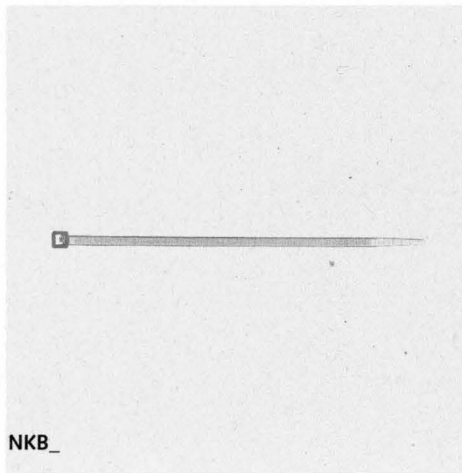
Part Nr.	L	B	Bundle-Ø _{max.}	Tensile Strength
	[mm]	[mm]	[mm]	[KP]
NKB98_	98	2,5	21	8,2
NKB140_	140	3,6	35	13,0
NKB160_	160	2,6	40	8,2
NKB198_	200	2,6	50	8,2
NKB199_	200	3,6	50	13,0
NKB200_	200	4,8	50	22,0
NKB290_	290	4,8	80	22,0
NKB360_	360	4,8	103	22,0

Terms of Delivery

Minimum order quantity: 1 PKU = 1 bundle with 100 pieces

Manufacturer: Various

Part Nr.	Part description	PU	100 up.	1000 up.	5000 up.
NKB98	Cable Tie 98x2,5mm Natural	H	1,69	0,99	0,64
NKB98RT	Cable Tie 98x2,5mm Red	H	2,29	1,37	0,91
NKB98SW	Cable Tie 98x2,5mm Black UV-Stabil.	H	1,64	0,96	0,62
NKB140	Cable Tie 140x3,6mm Natural	H	2,65	1,81	1,39
NKB140SW	Cable Tie 140x3,6mm Black UV-Stabil.	H	2,65	1,81	1,39
NKB160	Cable Tie 160x2,6mm Natural	H	2,65	1,81	1,39
NKB160SW	Cable Tie 160x2,6mm Black UV-Stabil.	H	2,65	1,81	1,39
NKB198	Cable Tie 200x2,6mm Natural	H	2,87	2,05	1,64
NKB198SW	Cable Tie 200x2,6mm Black UV-Stabil.	H	2,87	2,05	1,64
NKB199	Cable Tie 200x3,6mm Natural	H	2,94	2,10	1,68
NKB199SW	Cable Tie 200x3,6mm Black UV-Stabil.	H	2,94	2,10	1,68
NKB200	Cable Tie 200x4,8mm Natural	H	3,55	2,43	1,87
NKB200SW	Cable Tie 200x4,8mm Black UV-Stabil.	H	3,55	2,43	1,87
NKB290	Cable Tie 290x4,8mm Natural	H	4,68	3,34	2,67
NKB290SW	Cable Tie 290x4,8mm Black UV-Stabil.	H	4,68	3,34	2,67
NKB360	Cable Tie 360x4,8mm Natural	H	5,55	3,95	3,15
NKB360SW	Cable Tie 360x4,8mm Black UV-Stabil.	H	5,55	3,95	3,15



G8452 = Product group; Product group discount G 84 5_

Nylon Cable Ties

Series: NKB_HT

Heat Stabilized

Colour: Natural

Features

- Made of Polyamide 6.6 Natural
- Temperature Range: -40...+105°C

Dimensions

Part Nr.	L	B	Bundle-Ø _{max.}	Tensile Strength
	[mm]	[mm]	[mm]	[KP]
NKB98HT	98	2,5	21	8
NKB140HT	140	3,6	35	13
NKB200HT	200	4,8	50	22

Terms of Delivery

Minimum order quantity: 1 PKU = 1 bundle with 100 pieces

Manufacturer: Various

Part Nr.	Part description	PU	100 up.	1000 up.	5000 up.
NKB98HT	Cable Tie 98x2,5mm Heat Stabilized	H	2,47	1,69	1,30
NKB140HT	Cable Tie 140x3,6mm Heat Stabilized	H	3,55	2,55	2,05
NKB200HT	Cable Tie 200x4,8mm Heat Stabilized	H	6,37	4,55	3,64

