

**ProLight PG1N-NX45
Collimator
Technical Datasheet**

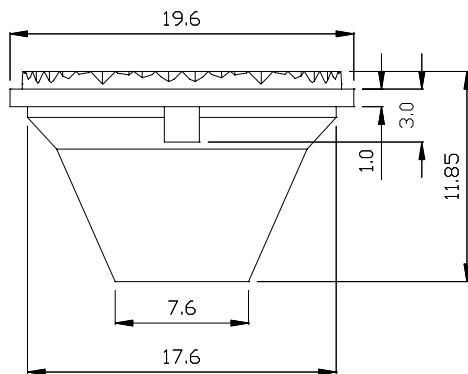
Features

- Up to 90% efficiency
- 45° viewing angle
- Works with all ProLight products

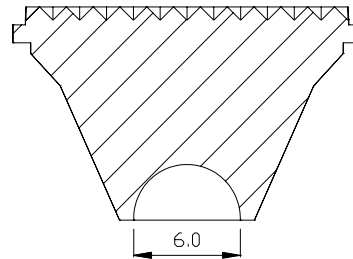
Typical Applications

- Reading lights (car, bus, aircraft)
- Portable (flashlight, bicycle)
- Mini-accent / Decorative / Fiber Optics Alternative
- Undershelf / Task Lighting
- Indoor and Outdoor Commercial and Residential Architectural lighting

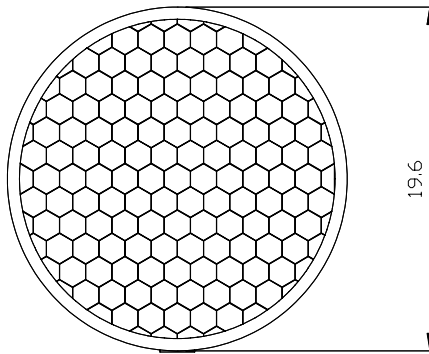
Mechanical Dimensions



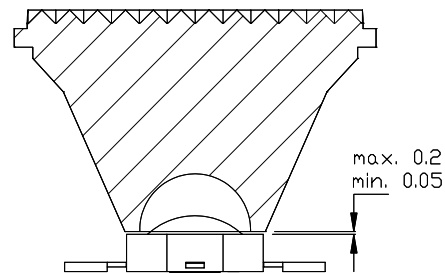
SECTION VIEW



TOP VIEW



Clearance between Collimator and LED



Notes:

1. All dimensions in millimeters.
2. The collimator rim ($\varnothing 19.6\text{mm}$) may be used as a snap-on feature to support the collimator.
3. The ProLight light source must be protected from any axial or lateral loads caused by the collimator—do not clamp the collimator against the ProLight emitter.
4. Do not subject to temperatures greater than 75°C as plastic deformation may occur. Protect collimator against exposure to solvents and adhesives that are not compatible with it. Use care in handling the optic to avoid scratches or other damage that will effect the optical performance.

Representative Spatial Radiation Pattern

Lambertian Radiation Pattern

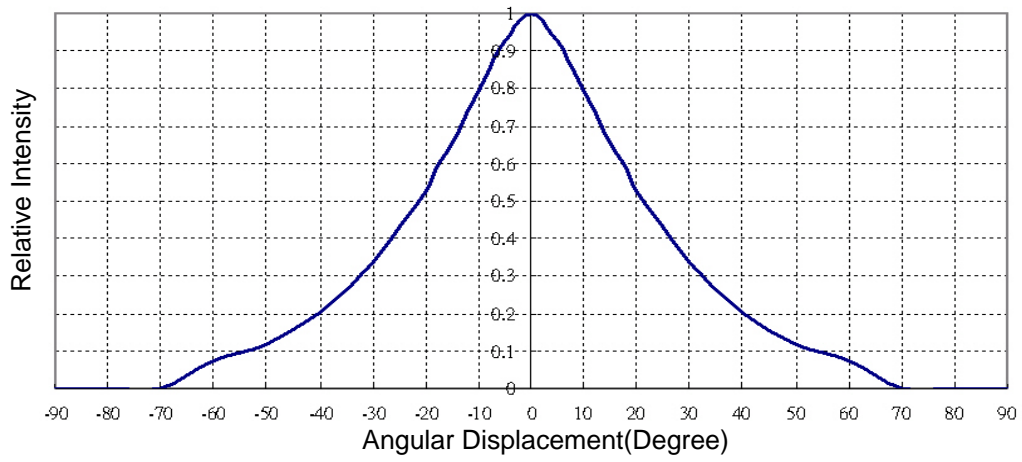


Figure 1. Representative Spatial Radiation for ProLight white color emitter devices with collimator.