

**Technical Data**

**Material (block)**

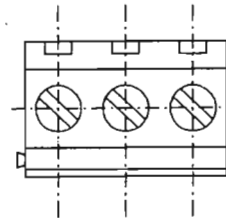
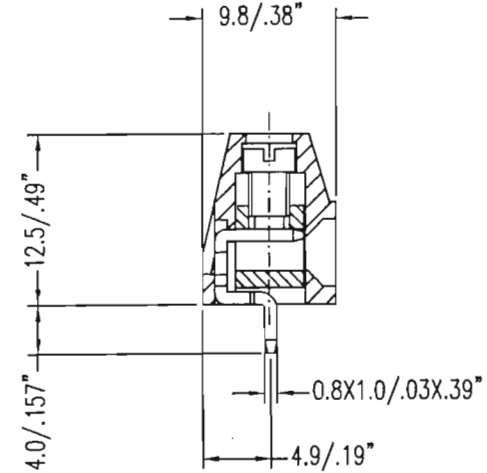
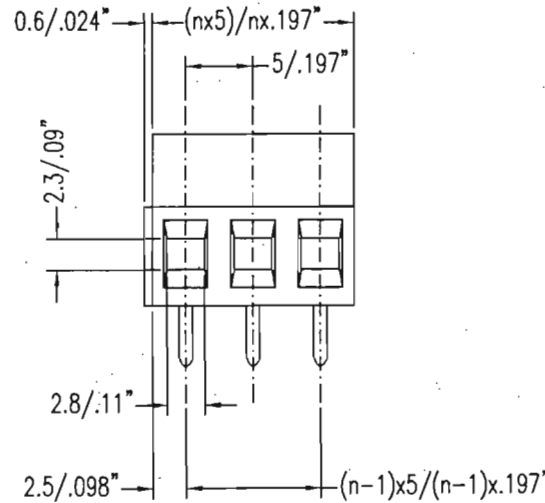
- Contact: Brass (Cu Zn)  
(metal housing) Cu/Ni, tin plated
- Terminal screw: Steel galvanized and chromated
- Surface of solder tail: Tin plated
- Insulator body (housing): Poly butylene Terephthalene-PBT(30% Glass Filled) (UL 94 V-0)

**Electrical**

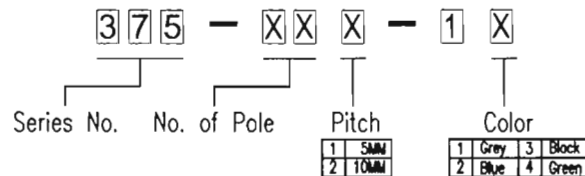
- Current rating: 20 Amp
- Resistance to tracking: 5M Ohm
- Dielectric Strength: 2500V
- Insulation Withstands Voltage: AC 1500V/Min 300V
- Rated Voltage: 0.5 to 2.5mm<sup>2</sup>
- Conductor Size: 22 - 14
- AWG: 22 - 14

**Mechanical**

- Operating temperatures: -30°C to +120°C
- Short time peak temperature: +200°C max



**HOW TO ORDER**



**\*\*Notice:**  
To avoid accumulated tolerance-variations of Terminal-Blocks to PC - Board spacing limit the number of contacts to not more than 24 contacts per row

Recommended PC-Board-Holes diameter:  $\phi$ 1.2mm to  $\phi$ 1.4mm  
n = number of contacts

**KARSON TECHNOLOGY LIMITED**

**TITLE: 375 Series Terminal Block**

www.karson-tech.com.hk

PART NO.: 375-XX1-1X

DWG NO.: KB1266-1  
REV.: 01

DATE: 14 DEC 01  
PROJECT NO.:

UNIT: MM

SCALE: NTS

SHEET: OF

DRAWN BY: LAM(A)

CHECK BY:

APPROVE BY: