



LA(C)56X1-S2 0.56" SINGLE DIGIT DISPLAY

Features

- * LOW CURRENT REQUIREMENTS
- * EXCELLENT CHARACTER APPEARANCE
- * HIGH LIGHT OUTPUT
- * RELIABLE AND RUGGED
- * IC COMPATIBLE

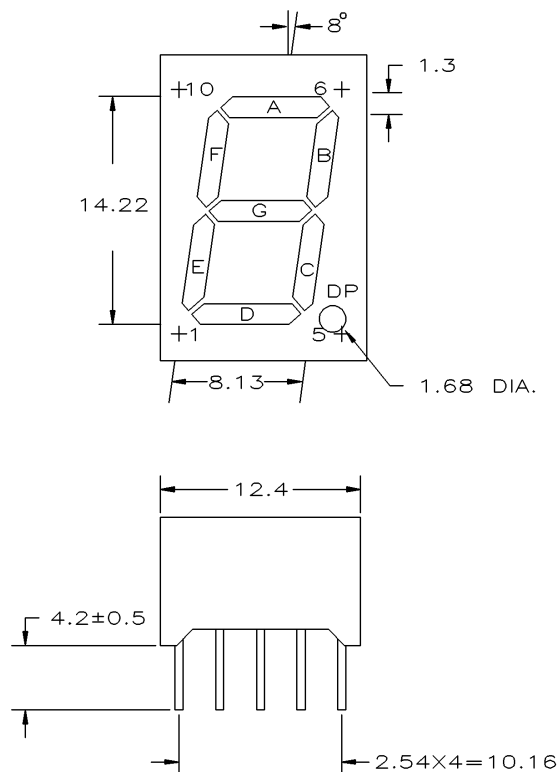
Absolute Maximum Ratings at $T_A=25^\circ\text{C}$

| | |
|---|----------------------------|
| REVERSE VOLTAGE PER LED CHIP ($<100\ \mu\text{A}$) | GaAsP RED 3.0V, OTHER 5.0V |
| D.C. FORWARD CURRENT PER LED CHIP..... | 30 mA |
| PULSE CURRENT (1/10 DUTY CYCLE, 0.1 ms PULSE WIDTH) PER LED CHIP..... | 100 mA |
| OPERATING TEMPERATURE RANGE..... | -25°C TO +85°C |
| STORAGE TEMPERATURE RANGE..... | -25°C TO +100°C |
| LEAD SOLDERING TEMP. (1.6mm FROM SEATING PLANE)..... | 260°C FOR 3 SEC. |

Electrical/optical characteristics at $T_A=25^\circ\text{C}$

| PART NUMBER | LED CHIP | FACE COLOR | PEAK WAVELENGTH @20mA(nm) | FORWARD VOLTAGE @20mA(V) | | LUMINOUS INTENSITY @10mA(mcd) | | | | |
|----------------|----------------|--------------|---------------------------|--------------------------|-------|-------------------------------|------|-----|-----|-----|
| | | | | TYP. | MAX. | MIN. | TYP. | | | |
| LA5611-S2EWRS | LC5611-S2EWRS | GaAsP | RED | GREY | WHITE | 655 | 1.7 | 2.2 | 0.3 | 0.5 |
| LA5651-S2EWRS | LC5651-S2EWRS | GaP | RED | GREY | WHITE | 700 | 2.1 | 3.0 | 0.5 | 0.8 |
| LA5621-S2EWRS | LC5621-S2EWRS | GaP | GREEN | GREY | WHITE | 567 | 2.1 | 2.6 | 1.7 | 2.9 |
| LA5631-S2EWRS | LC5631-S2EWRS | GaAsP ON GaP | YELLOW | GREY | WHITE | 585 | 2.1 | 3.0 | 1.4 | 2.3 |
| LA5641-S2EWRS | LC5641-S2EWRS | GaAsP ON GaP | ORANGE | GREY | WHITE | 635 | 2.1 | 3.0 | 2.0 | 3.3 |
| LA5641R-S2RRRS | LC5641R-S2RRRS | GaAsP ON GaP | ORANGE | RED | RED | 635 | 2.1 | 3.0 | 2.0 | 3.3 |

Package Dimensions And Pin Function



| LA56X1-S2 COMMON ANODE | |
|---------------------------|--------------|
| PIN NO. | FUNCTION |
| 1. | CATHODE E |
| 2. | CATHODE D |
| 3. | COMMON ANODE |
| 4. | CATHODE C |
| 5. | CATHODE DP |
| 6. | CATHODE B |
| 7. | CATHODE A |
| 8. | COMMON ANODE |
| 9. | CATHODE F |
| 10. | CATHODE G |

| LC56X1-S2 COMMON CATHODE | |
|-----------------------------|----------------|
| PIN NO. | FUNCTION |
| 1. | ANODE E |
| 2. | ANODE D |
| 3. | COMMON CATHODE |
| 4. | ANODE C |
| 5. | ANODE DP |
| 6. | ANODE B |
| 7. | ANODE A |
| 8. | COMMON CATHODE |
| 9. | ANODE F |
| 10. | ANODE G |

1. ALL DIMENSIONS ARE IN mm, TOLERANCE IS $\pm 0.25\text{mm}$ UNLESS OTHERWISE NOTED.
 2. THE SLOPE ANGLE OF ANY PIN MAY BE $\pm 5.0^\circ$ MAX.