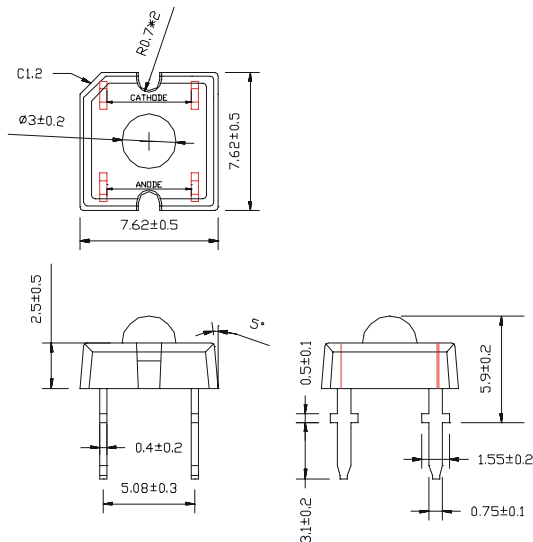


Device Selection Guide

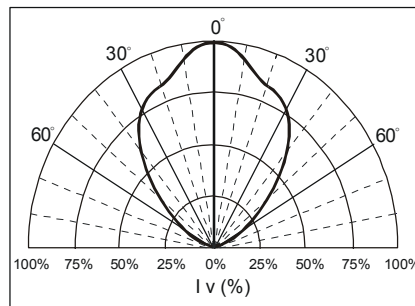
Part Number EOZ-	Total Flux $\Phi_v(\text{mIm}) @ I_F = 70\text{mA}$		Luminous Intensity $I_v(\text{mcd}) / \Phi_v(\text{mIm})$ @ $I_F = 70\text{mA}$	Viewing Angle $2\theta_{1/2}$	Dominant Wavelength $\lambda_D(\text{nm}) @ I_F = 70\text{mA}$	Forward Voltage $V_F(\text{V}) @ I_F = 70\text{mA}$		$I_R(\mu\text{A})$ @ $V_R = 10\text{V}$
	Min.	Typ.	Typ.	Typ.	Typ.	Typ.	Max.	Max.
ZTYRCD0-KK	2750	4500	0.65	90°	589	2.4	3.0	100

BIN #	E	F	G		
Total Flux (mIm) @ $I_F = 70\text{mA}$	2750-3850	3850-5400	5400-7600		

Package Dimensions



Beam Pattern



Note:

- All dimensions are in millimeter.
- Unspecified tolerance : $\pm 0.20\text{mm}$.
- Protruded resin under bottom surface of epoxy is 1.5mm max.
- Lead spacing is measured where the leads emerge from the package
- Specifications are subject to be changed without notice.

Absolute Maximum Ratings at $T_A = 25^\circ\text{C}$

Parameter	Symbol	Maximum Value	USER---APPROVED
Average Forward Current	I_F	70mA	
Peak Forward Current ^[a]	I_{peak}	100mA	
Reverse Voltage	V_R	10V	
Power Dissipation	P_D	210mW	
Operating Temperature Range	T_{OPR}	-40°C ~ + 85°C	
Storage Temperature Range	T_{STO}	-40°C ~ + 100°C	
Lead Soldering Temperature	T_{SOL}	260°C / 5 seconds	

Notes: [a] Duty Ratio = 1/10, Pulse Width = 0.1ms.

Headquarters

5F, No. 1, Creation Road II, Hsinchu Science Park,
Hsinchu, Taiwan 300, R.O.C.
Tel : 886-3-5679000 Fax : 886-3-5679999
<http://www.eoi.com.tw> E-mail : Service@eoi.com.tw

U.S. Office

1400 W. Lambert Road, Suite B,
Brea, CA92821, U.S.A
Tel : 1-562-694-1246 Fax : 1-562-691-3087
<http://www.eoi-us.com> E-mail : Sales@eoius.com

