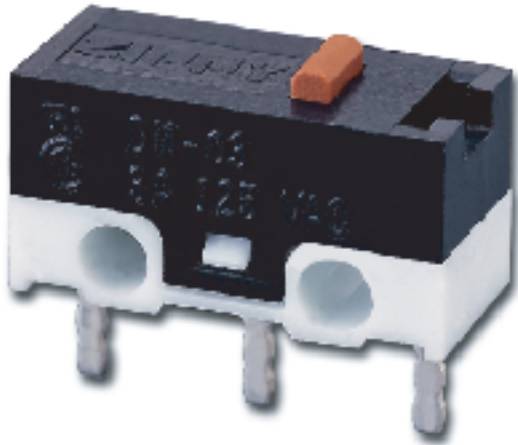
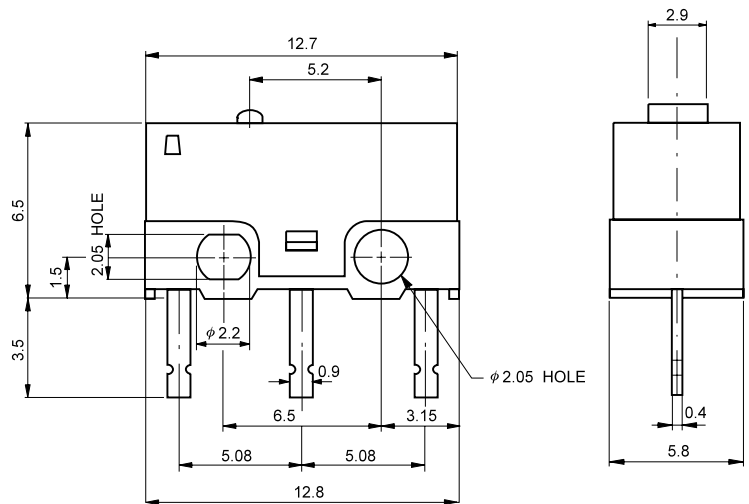


## ● SERIES DM-03



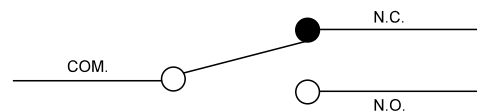
■ **DIMENSIONS** (Unless otherwise specified, a tolerance of  $\pm 0.4\text{mm}$  applies to all dimensions.)



## ■ SPECIFICATIONS

- Operating frequency (mechanical)..... 120 operations  
(electrical)..... 10~30 operations
- Contact resistance (initial)..... 30~100m $\Omega$  Max. (depend on type)
- Insulation resistance (at 500VDC) ..... 100M $\Omega$  Min.
- Dielectric strength ..... AC 1,000V RMS (50-60HZ)
- Storage temperature ..... -25°C to +85°C
- Storage humidity ..... 85% RH Max.
- Service life  
Electrical (at rated load, depend on type) .....  
..... 6,000~15,000 operations (depend on type)  
Mechanical ..... 1,000,000 operations Min.
- Weight ..... Approx. 0.5g (Pin plunger type)
- Gold plated or silver contacts

## ■ CONTACT CONFIGURATION



## ■ RATINGS

DM-03	1A	125VAC
	3A	125VAC
	0.1A	48VDC
	0.2A	60VDC

## ■ APPLICATION

Walkie talkie, mouse, electric knife, electric stapler, telephone, calculator, mixer & chopper, electric pan, battery charger, video cassette rewriter, cordless phone, alarm, tester machine.

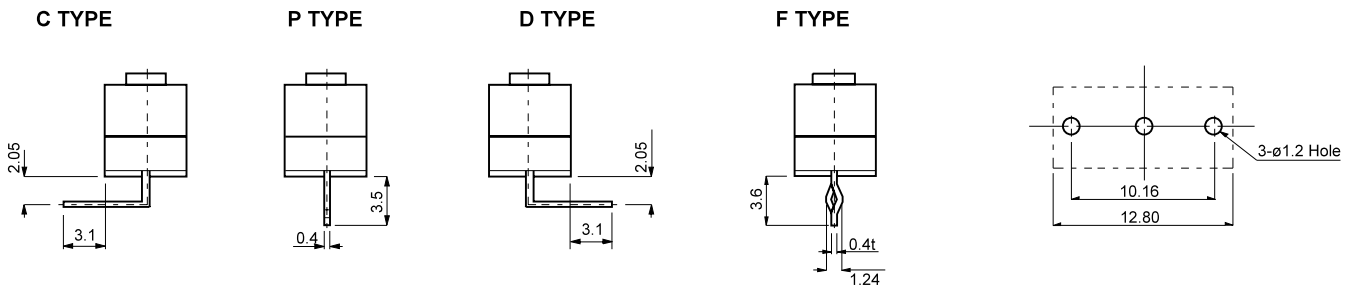
■ OPERATING CHARACTERISTICS

SWITCH TYPES	PART SUFFIX	OF Max. (g)		OP (mm)	PT Max. (mm)	OT Min. (mm)	MD Max. (mm)	FP Max. (mm)	RF Min. (g)
		L	S						
DM-XXX-0P		L	90	7.0 ±0.3	1.3	0.2	0.2	8.0	15
		S	150						20
DM-XXX-1P		L	30	8.4 ±0.8	3.4	0.6	0.8	11.0	5
		S	50						8
DM-XXX-2P		L	27	10.5 ±0.8	3.8	0.6	0.8	13.5	4
		S	45						7
DM-XXX-3P		L	40	7.9 ±0.8	3.4	0.6	0.8	10.5	6
		S	70						10
DM-XXX-4P		L	36	8.10 ±0.8	3.4	0.6	0.8	10.7	5
		S	65						9
DM-XXX-6P		L	29	8.5 ±0.8	3.5	0.7	0.8	11.2	4
		S	50						7
DM-XXX-7P		L	29	11.3 ±1.0	3.7	0.3	0.6	14	4
		S	50						7
DM-XXX-8P		L	33	8.2 ±0.8	3.4	0.5	0.72	10.8	5
		S	60						8
DM-XXX-9P		L	15	8.9 ±2.1	10.1	0.9	2.5	16.9	2
		S	22						3

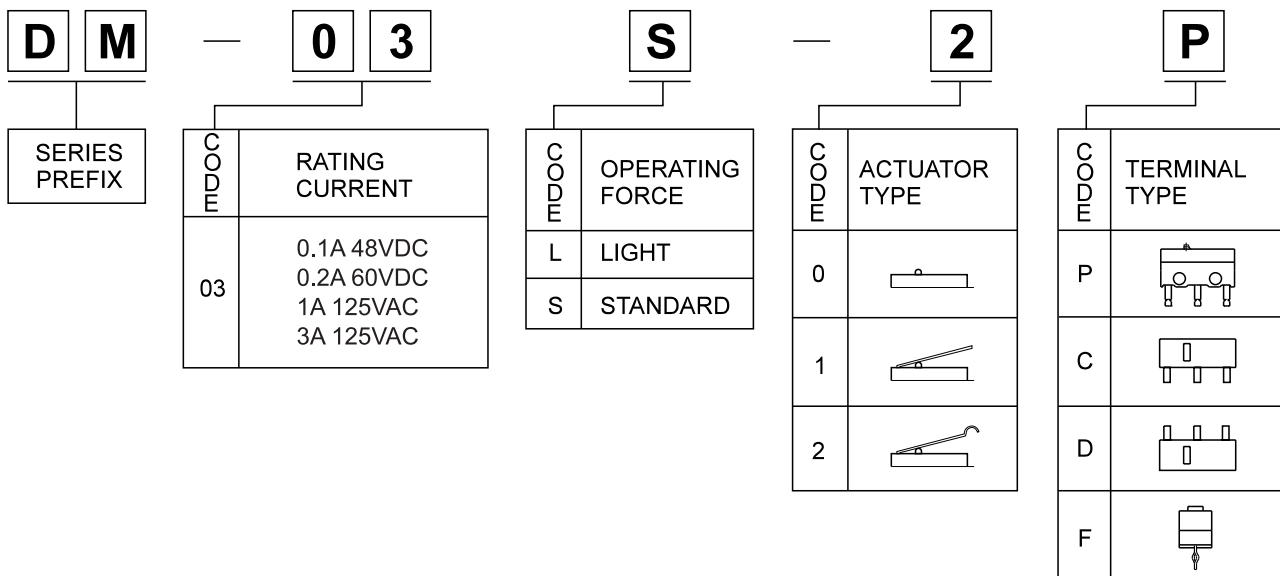
## ■ TERMINAL TYPES

### PCB terminal

## ■ MOUNTING HOLES



## ■ ORDERING INFORMATION



DM-03□-□□-A

is for gold plated contacts rating 0.1A 48VDC.