

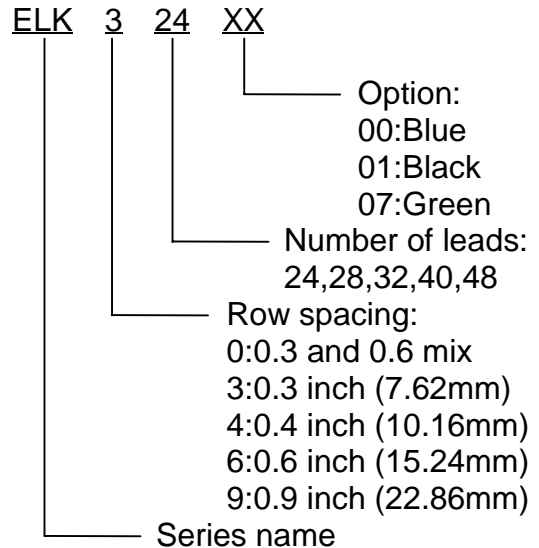
## ZERO INSERTION PRESSURE SOCKET ELK SERIES

### FEATURES

- Compact mechanical construction to ensure long term life.
- Zero insertion and extraction pressure
- Standard 0.100" (2.54mm) IC pitch, easy to mount in PC board.
- All plastic are UL 94V-0 grade fire retardant.
- Gold plated contact to ensure low contact resistance and long operation life.



### PART NUMBERING SYSTEM



### SPECIFICATIONS

#### 1.ELECTRICAL

|   |                            |
|---|----------------------------|
| 1-1.Contact resistance                    |                            |
| initial                                   | 10mΩ Max.                  |
| after life test                           | 20mΩ Max.                  |
| 1-2.Contact rating                        | 50VDC, 100mA               |
| 1-3.insulation resistance                 | 100MΩ Min.                 |
| 1-4.Dielectric strength                   | 500VDC Min. for 60 seconds |
| 1-5.Capacitance between adjacent contacts | 5pF Max.                   |

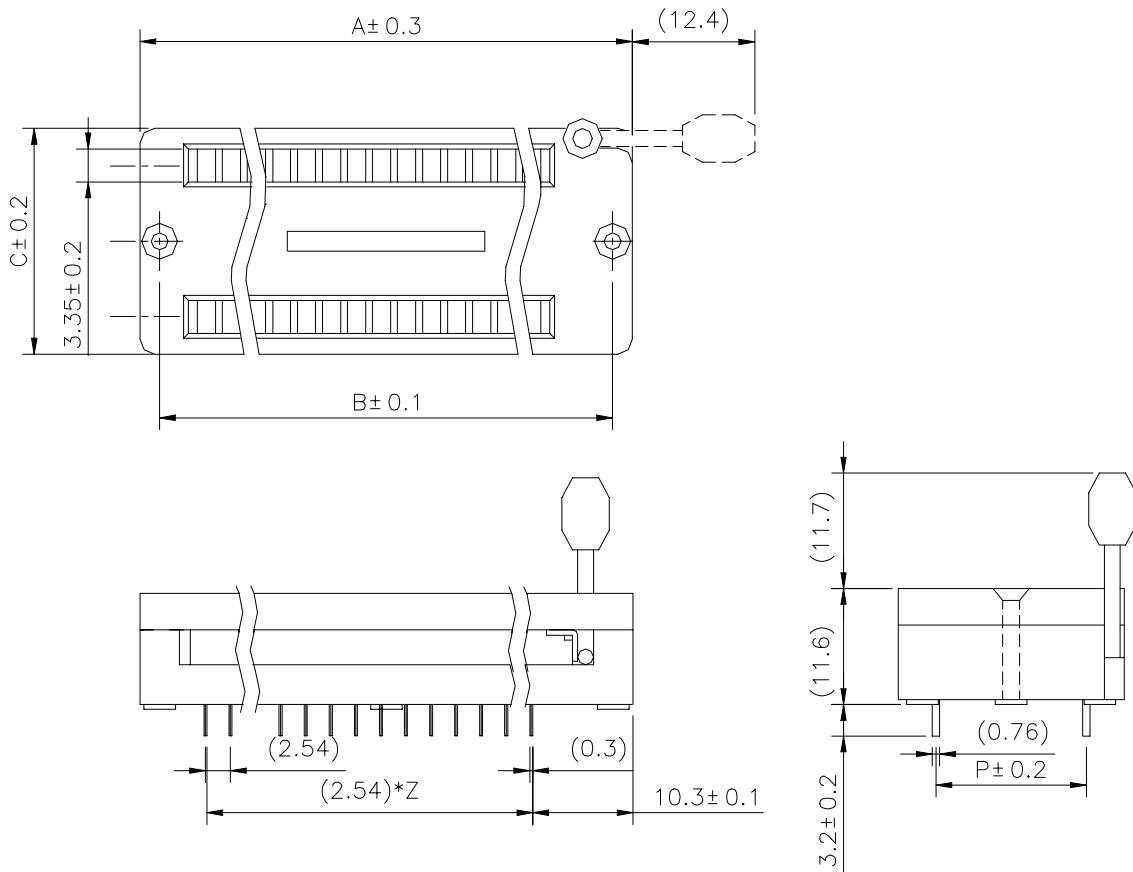
#### 2.MECHANICAL AND ENVIRONMENTAL

|                        |   |
|------------------------|---|
| 2-1.Temperature rating |   |
| operating              | -25°C to + 70°C   |
| storage                | -40°C to + 85°C   |
| 2-2.Operation life     | 50,000 cycles (without load); 25,000 cycles (with load) |
| 2-3.Humidity           | 95% RH, 40°C for 96 Hrs.                                |
| 2-4.Vibration          | Per MIL-STD-202F, method 201A                           |
| 2-5.Solderability      | after flux 230± 5°C for 5± 0.5 seconds, 95% coverage    |
| 2-6.Soldering heat     | 260± 5°C for 5± 1 seconds                               |

**■ DIMENSIONS (UNIT: mm) --- FOR ROW SPACING 3,4,6,9 TYPE**

FOR ROW SPACING 3,4,6,9 TYPE

UNIT:mm

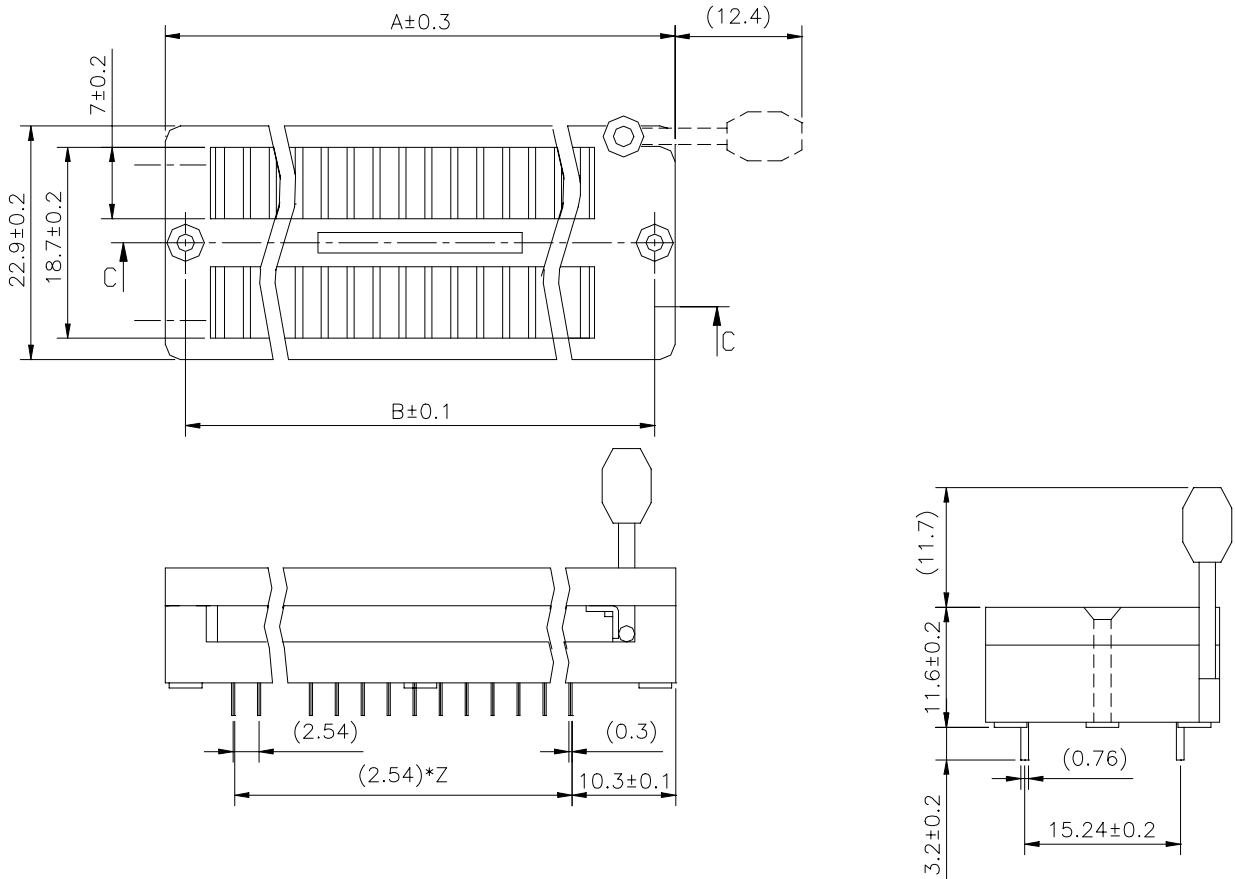


| LEADS | PART NUMBER | A    | B    | C    | Z  | P     |
|-------|-------------|------|------|------|----|-------|
| 24    | ELK324      | 45.3 | 40.9 | 14.9 | 11 | 7.62  |
| 24    | ELK624      | 45.3 | 40.9 | 22.9 | 11 | 15.24 |
| 28    | ELK628      | 50.4 | 46.0 | 22.9 | 13 | 15.24 |
| 32    | ELK632      | 55.5 | 51.1 | 22.9 | 15 | 15.24 |
| 40    | ELK640      | 65.6 | 61.2 | 22.9 | 19 | 15.24 |

■ **DIMENSIONS (UNIT: mm) --- FOR ROW SPACING 0 TYPE**

FOR ROW SPACING 0 TYPE

UNIT:mm



| LEADS | PART NUMBER | A    | B    | Z  |
|-------|-------------|------|------|----|
| 24    | ELK024      | 45.3 | 40.9 | 11 |
| 28    | ELK028      | 50.4 | 46.0 | 13 |
| 32    | ELK032      | 55.5 | 51.1 | 15 |
| 40    | ELK040      | 65.6 | 61.2 | 19 |
| 48    | ELK048      | 75.8 | 71.4 | 23 |