

D-Sub Connector

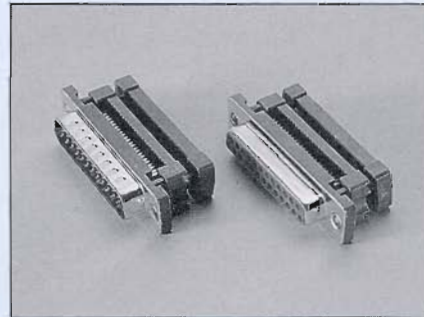
Flat Cable Type Metal Shell and All Plastic

IDC Series

MALE

Specifications:

Shell: Thermoplastic Steel Zinc Plated or Tin Plated
 Pin Contact: Phosphor Bronze Gold plated over nickel
 Insulator: PBT & Glass-fiber reinforced UL-94V-0
 Number Of Contact: 9, 15, 25, 37.50
 Current Rating: 5 amp.
 Dielectric Strength: 1000V for one minute
 Insulator Resistance: 1000MΩ Min. at 500V DC
 Temperature: -55°C ~ +105°C

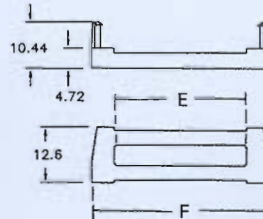
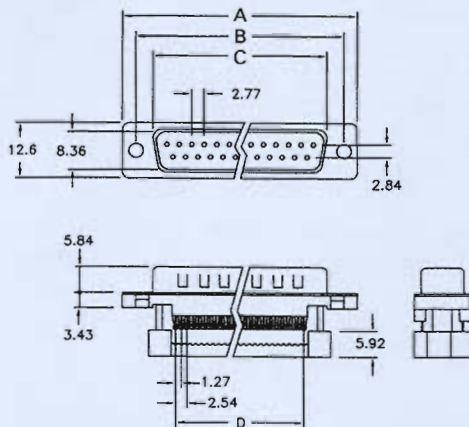


FEMALE

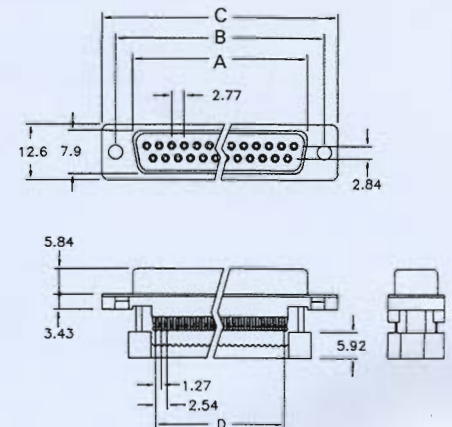
Specifications:

Shell: Thermoplastic Steel Zinc Plated or Tin Plated
 Socket Contact: Phosphor bronze Gold plated over nickel
 Insulator: PBT & Glass-fiber reinforced UL-94V-0
 Number Of Contact: 9, 15, 25, 37.50
 Current Rating: 5 amp.
 Dielectric Strength: 1000V for one minute
 Insulator Resistance: 1000MΩ Min. at 500V DC
 Temperature: -55°C ~ +105°C

MALE



FEMALE



Inches
mm

DIMENSIONS

| Shell Size | A | B | C | D | E | F | G |
|-------------|-------|-------|-------|-------|-------|-------|---|
| IDC-9 -M/2 | .666 | .984 | 1.216 | 0.400 | 0.480 | .759 | |
| -MB/2 | 16.92 | 24.99 | 30.89 | 10.16 | 12.19 | 19.28 | |
| IDC-15 -M/2 | .994 | 1.322 | 1.541 | 0.700 | 0.780 | 1.087 | |
| -MB/2 | 25.25 | 33.32 | 39.14 | 17.78 | 19.81 | 27.61 | |
| IDC-25 -M/2 | 1.534 | 1.852 | 2.090 | 1.200 | 1.280 | 1.623 | |
| -MB/2 | 38.96 | 47.04 | 53.09 | 30.48 | 32.51 | 41.22 | |
| IDC-37 -M/2 | 2.183 | 2.500 | 2.732 | 1.800 | 1.880 | 2.275 | |
| -MB/2 | 55.45 | 63.50 | 69.39 | 45.72 | 47.75 | 57.78 | |

DIMENSIONS

| Shell Size | A | B | C | D | E | F | G |
|-------------|-------|-------|-------|-------|-------|-------|---|
| IDC-9 -F/2 | .643 | 0.984 | 1.216 | 0.400 | 0.480 | 0.759 | |
| -FB/2 | 16.33 | 24.99 | 30.89 | 10.16 | 12.19 | 19.28 | |
| IDC-15 -F/2 | 0.971 | 1.312 | 1.541 | 0.700 | 0.780 | 1.087 | |
| -FB/2 | 24.66 | 33.32 | 39.14 | 17.78 | 19.81 | 27.61 | |
| IDC-25 -F/2 | 1.511 | 1.852 | 2.090 | 1.200 | 1.280 | 1.623 | |
| -FB/2 | 38.38 | 47.04 | 53.09 | 30.48 | 32.51 | 41.22 | |
| IDC-37 -F/2 | 2.159 | 2.500 | 2.732 | 1.800 | 1.880 | 2.275 | |
| -FB/2 | 58.84 | 63.50 | 69.39 | 45.72 | 47.75 | 57.78 | |

M, F: Plastic type

MB, FB: Metal shell type