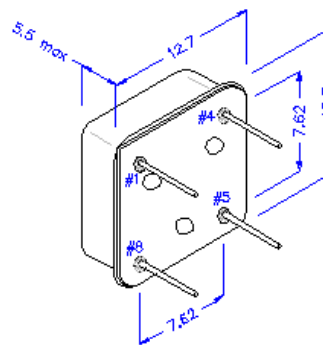




Preview of Quartz Oscillator (Dip 8)

Part: 14M7456FAABKEKA-CX08

- 1. Nominal Frequency -- 14.7456 MHz
- 2. Holder Type -- Half Size



Pin No.	Connection
#1	N/C or Tri-State
#4	Ground
#5	Output
#8	VDD

- 3. Dimension (mm) --
- 4. Frequency Stability -- +/-50ppm
- 5. Output Load -- 15 pF
- 6. Output Mode -- CMOS
- 7. Operating Temperature -- -20°C ~ +70°C
- 8. Storage Temperature -- -40°C ~ +85°C
- 9. Input Voltage -- 3.3V
- 10. Input Current -- 20mA
- 11. High Output Voltage -- 90% Vdd min
- 12. Low Output Voltage -- 10% Vdd max
- 13. Output Symmetry -- 40% ~ 60%
- 14. "0" Level (Logic "0") -- +0.33V max



TECHNICAL CRYSTAL (CHINA) LIMITED

德力高石英(中國)有限公司

Tel: (852) 2688 2033

Fax: (852) 2688 2031

E-mail: tic@tecko.com

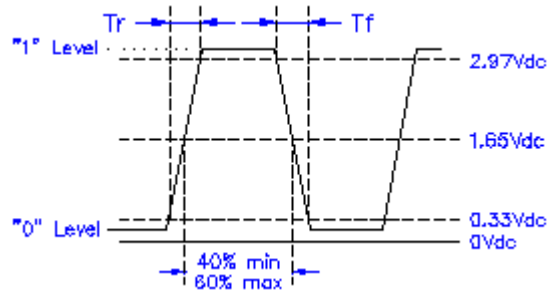
http://www.tecko.com

Unit 750, Block F, Wah Lok Industrial Centre, 31-35 Shan Mei Street, Fotan, N.T., Hong Kong
香港新界火炭山尾街31-35號華樂工業中心F座7樓50室

15. "1" Level (Logic "1") -- +2.97V max

15. Output Rise Time -- 10nS max

16. Output Fall Time -- 10nS max



17. Wave Form --

18. Aging -- +/-5ppm / year

19. Package -- Tube

20. Others --

*** End of Preview ***