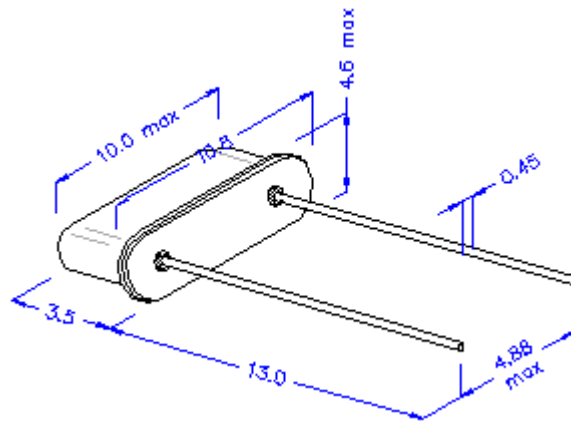




## Preview of Crystal HC-49US

**Part #:** 4M433619FEFMLEKA-49S

- |                       |    |              |
|-----------------------|----|--------------|
| 1. <b>Frequency</b>   | -- | 4.433619 MHz |
| 2. <b>Holder Type</b> | -- | HC-49US      |



- |                                      |    |                      |
|--------------------------------------|----|----------------------|
| 3. <b>Dimension (mm)</b>             | -- |                      |
| 4. <b>Mode of Oscillation</b>        | -- | Fundamental          |
| 5. <b>Frequency Tolerance</b>        | -- | +/-30ppm at 25+/-3°C |
| 6. <b>Load Capacitance, CL</b>       | -- | 16 +/-0.2pF          |
| 7. <b>Temperature Stability</b>      | -- | +/-30ppm             |
| 8. <b>Operating Temperature</b>      | -- | -20°C To +70°C       |
| 9. <b>Storage Temperature</b>        | -- | -40°C To +85°C       |
| 10. <b>Equivalent Resistance, Rs</b> | -- | 120 Ω max            |
| 11. <b>Shunt Capacitance, Co</b>     | -- | 7 pF max.            |
| 12. <b>Drive Level</b>               | -- | 100μW max.           |



# TECHNICAL CRYSTAL (CHINA) LIMITED

## 德力高石英(中國)有限公司

Tel: (852) 2688 2033  
Fax: (852) 2688 2031  
E-mail: [tic@tecko.com](mailto:tic@tecko.com)  
<http://www.tecko.com>

Unit 750, Block F, Wah Lok Industrial Centre, 31-35 Shan Mei Street, Fotan, N.T., Hong Kong  
香港新界火炭山尾街31-35號華樂工業中心F座7樓50室

- 13. **Insulation** -- 500 meg  $\Omega$  min at DC100V +/-15V
- 14. **Leakage Test** -- No continuous air bubble formed in the warm water (80°C) in 5 minutes
- 15. **Shock Test** -- Frequency shift +/-5ppm & Rs +/-20% after test dropping from 50cm height onto wood with thickness of 2cm for 3 times
- 16. **Aging** -- +/-5ppm / year
- 17. **Measurement** -- 250B PI-Network
- 18. **Mark** -- TIC4.433D
- 19. **Package** -- Bulk
- 20. **Others** --

\*\*\* *End of Preview* \*\*\*

Confirmed & Approved by

Technical Crystal (China) Ltd