

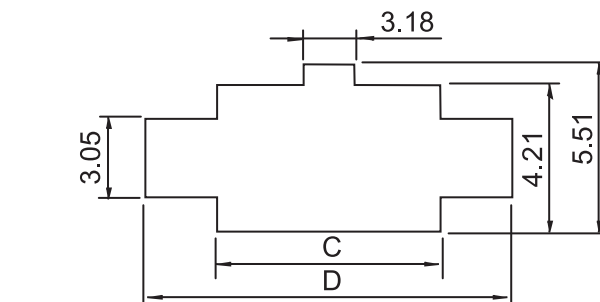
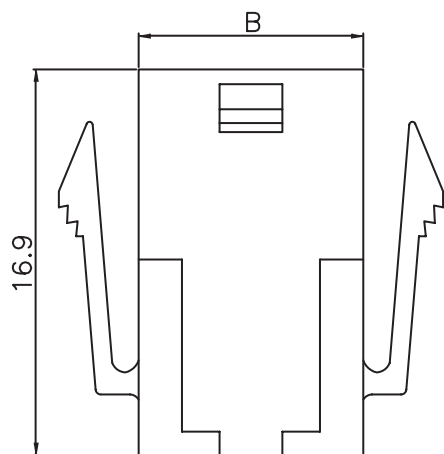
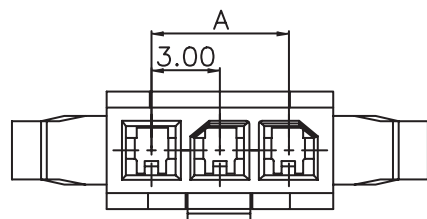
1

2

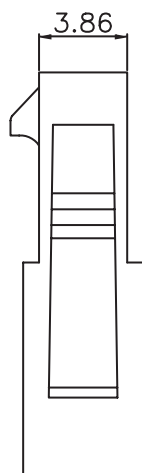
3

4

5



Recommended Panel Cut-out Thickness = 1,95 ±0,25



TECHNICAL CHARACTERISTICS

MATERIAL
INSULATOR: NYLON 66
COLOR: BLACK
PITCH: 3.00MM

ENVIRONMENTAL
OPERATING TEMPERATURE: -25 UP TO 105°C
FLAMABILITY RATING: UL94-V0
COMPLIANCE: LEAD FREE AND ROHS

ELECTRICAL
CURRENT RATING: 5A
WORKING VOLTAGE: 250V AC
INSULATOR RESISTANCE: >1000 MOHM
DIELECTRIC WITHSTANDING VOLTAGE: 1500V AC/MN

STANDARD

 CERTIFIED: E323964

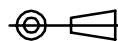
PACKAGING
BAG

DIMENSION

PINS	A	B	C	D
2	3.00	6.85	7.21	10.90
3	6.00	9.85	10.21	13.89
4	9.00	12.85	13.21	16.89
5	12.00	15.85	16.21	19.89
6	15.00	18.85	19.21	22.89
7	18.00	21.85	22.21	25.88
8	21.00	24.85	25.21	28.88
9	24.00	27.85	28.21	31.88
10	27.00	30.85	31.21	34.87
11	30.00	33.85	34.21	37.87
12	33.00	36.85	37.21	40.87

RoHS Compliant

PROJECTION:



GENERAL TOLERANCE

.X = ± 0.2

.XX = ± 0.15



APPROVAL: BB

UNIT: MM

DESCRIPTION: 3.00MM MALE SINGLE ROW PLUG WITH MOUNTING EARS

SIZE

PANEL THICK

SCALE:

WERI PART NO: 662 0xx 118 22

A4

PANEL THICK

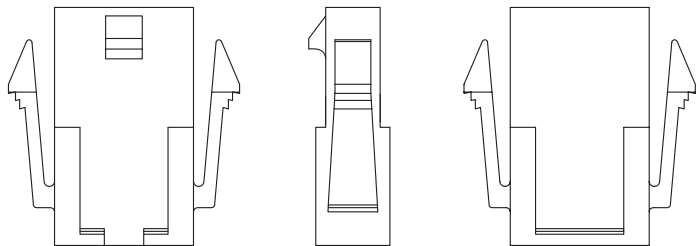
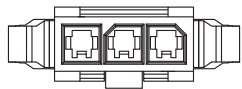
SHEET: 1/2

DATE

DRAW: PEARL

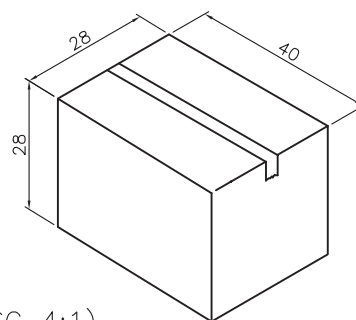
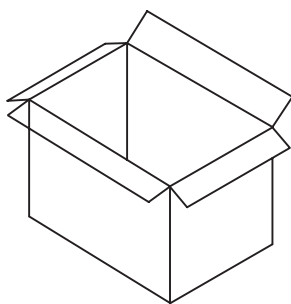
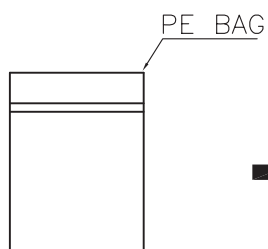
FILE

BY



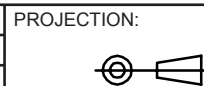
Note:
 1.Dimension:
 Carton Size:40*28*28(cm)
 2.Quantity:

Pin.	Pcs/Bag	Pcs/Carton	Pin.	Pcs/Bag	Pcs/Carton
2	1000	18000	8	500	6000
3	1000	18000	9	500	6000
4	1000	15000	10	400	4000
5	1000	15000	11	250	3000
6	1000	8000	12	250	3000
7	500	8000			



Carton (SC 4:1)

RoHS Compliant			
G			
F			
E			
D			
C			
B			
A			
REV	DATE	FILE	BY



GENERAL TOLERANCE
 .X = +/- 0.2
 .XX = +/- 0.15



APPROVAL: RJ

UNIT: MM
 SCALE:
 SHEET: 2/2
 DRAW: PEARL

DESCRIPTION: 3.00MM MALE SINGLE ROW PLUG WITH MOUNTING EARS
 WERI PART NO: 6620 xx 11822_TPK

SIZE
A4