

Features

- * LOW CURRENT REQUIREMENTS
- * HIGH LIGHT OUTPUT
- * RELIABLE AND RUGGED
- * IC COMPATIBLE

Absolute Maximum Ratings at $T_A=25^\circ\text{C}$

REVERSE VOLTAGE (<math> <100 \mu\text{A}</math>)	GaAsP RED 3.0V, OTHER 5.0 V
D.C. FORWARD CURRENT	30mA
PULSE CURRENT (1/10 DUTY CYCLE, 0.1 ms PULSE WIDTH)	100 mA
OPERATING TEMPERATURE RANGE	-25°C TO +85°C
STORAGE TEMPERATURE RANGE	-25°C TO +100°C
LEAD SOLDERING TEMP. (1.6mm FROM BODY)	260°C FOR 5 SEC.

Electrical/optical characteristics at $T_A=25^\circ\text{C}$

PART NUMBER	LED CHIP	MATERIAL	EMITTING COLOR	LENS COLOR		PEAK WAVELENGTH @20 mA (nm)	FORWARD VOLTAGE @20mA(V)		LUMINOUS INTENSITY @20mA(mcd)		VIEW ANGLE $2\theta_{1/2}$ (deg)
							TYP.	MAX.	MIN.	TYP.	
LT6411-81-D01	LT6412-81-D01	GaAsP	RED	R.D	W.D	655	1.7	2.0	1.6	1.7	38
LT6411-81	LT6412-81	GaP	RED	R.D	W.D	700	2.1	2.6	2.5	4.1	38
LT6421-81	LT6422-81	GaP	GREEN	G.D	W.D	572	2.1	2.6	12.0	20.0	38
LT6431-81	LT6432-81	GaAsP	YELLOW	Y.D	W.D	589	2.1	2.6	9.8	16.4	38
LT6441-81	LT6442-81	GaAsP	ORANGE	O.D	W.D	630	2.1	2.6	13.9	23.1	38
LT6441R-81		GaAsP	ORANGE	R.D		630	2.1	2.6	13.9	23.1	38
LT6413-81-D01	LT6414-81-D01	GaAsP	RED	W.C	R.C	655	1.7	2.0	5.5	9.2	26
LT6413-81	LT6414-81	GaP	RED	W.C	R.C	700	2.1	2.6	8.4	14.0	26
LT6423-81	LT6424-81	GaP	GREEN	W.C	G.C	572	2.1	2.6	40.9	68.1	26
LT6433-81	LT6434-81	GaAsP	YELLOW	W.C	Y.C	589	2.1	2.6	33.5	55.8	26
LT6443-81	LT6444-81	GaAsP	ORANGE	W.C	O.C	630	2.1	2.6	47.3	78.8	26
	LT6444R-81	GaAsP	ORANGE		R.C	630	2.1	2.6	47.3	78.8	26

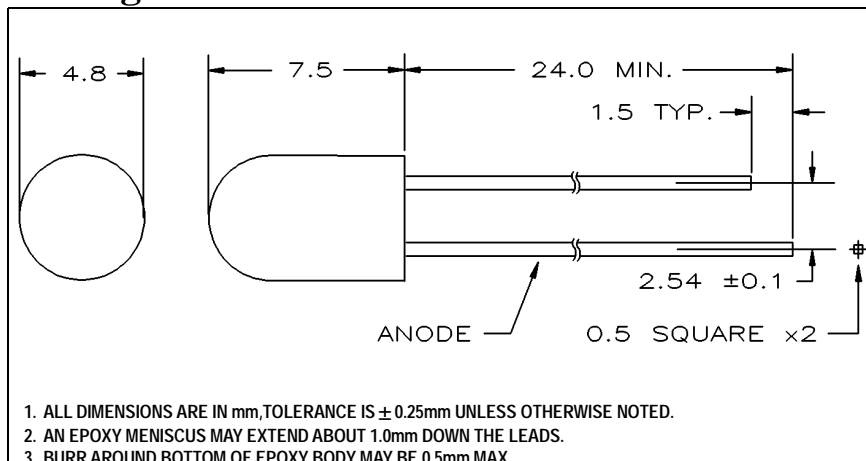
(1) LENS COLOR

R.D.....RED DIFFUSED	R.C.....RED CLEAR
G.D.....GREEN DIFFUSED	G.C....GREEN CLEAR
Y.D.....YELLOW DIFFUSED	Y.C....YELLOW CLEAR
O.D.....ORANGE DIFFUSED	O.C....ORANGE CLEAR
W.D.....WHITE DIFFUSED	W.C....WATER CLEAR

(2) SPECIFICATIONS ARE SUBJECT TO CHANGE WITHOUT NOTICE.

(3) ALL ABOVE COMPONENTS ARE CONSIDERED . DEVIATIONS FROM STATED SPECIFICATIONS WILL REQUIRE A NEW PART NUMBER BE ASSIGNED .

Package Dimensions



Radiation Pattern

