

# .200" (5.08mm) Center Wafer Assembly

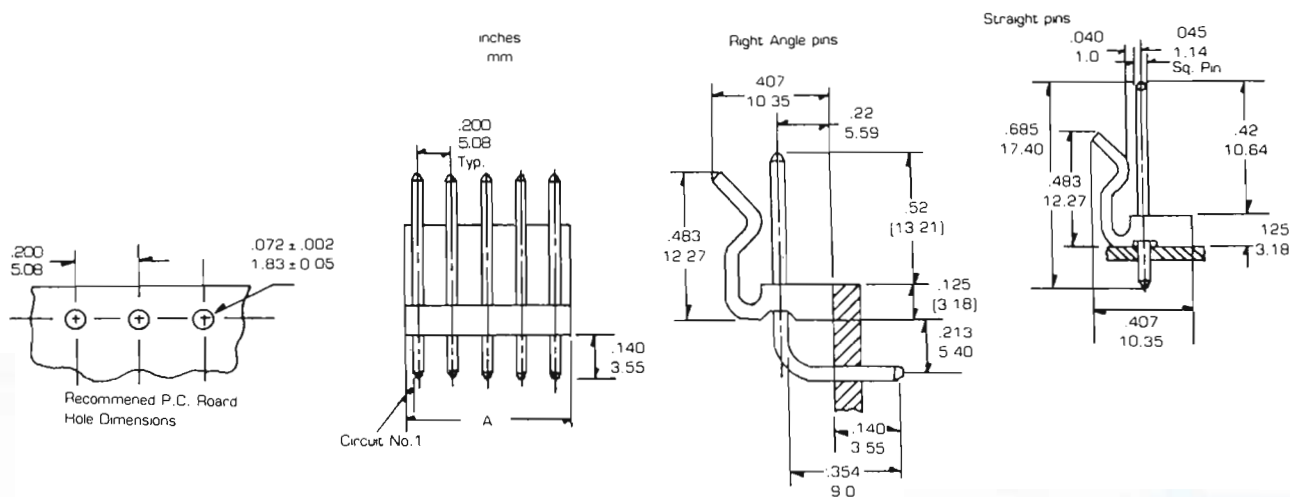
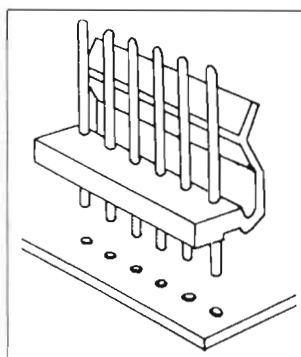
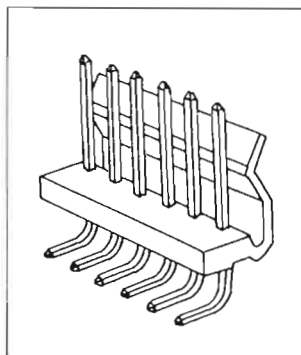
## MPW Series

### Features:

- 2-20 Circuits
- .45" (1.14mm) square or round wire pins
- Nylon (UL 94V-2)
- Right angle or straight pins
- Mate with Center crimp connector

### Specifications:

- Current rating: 7A AC, DC
- Voltage rating: 250V AC, Maximum
- Temperature range: -25°C ~ +90°C
- Contact resistance: Initial Value/10mΩ max  
After environmental testing/20mΩ max.
- Insulation resistance: 1,000 MΩ min
- Withstand Voltage: 1500V AC/minute
- Applicable PC board thickness: .063" (1.6mm)



### Dimensional Information MPW Series

| Circuits      | Dim. A        | Circuits      | Dim. A         | Circuits       | Dim. A         | Circuits       | Dim. A         | Circuits       | Dim. A          |
|---------------|---------------|---------------|----------------|----------------|----------------|----------------|----------------|----------------|-----------------|
| MPW-2: S<br>R | .390<br>9.91  | MPW-6: S<br>R | 1.190<br>30.23 | MPW-10: S<br>R | 1.990<br>50.55 | MPW-14: S<br>R | 2.790<br>70.89 | MPW-18: S<br>R | 3.590<br>91.19  |
| MPW-3: S<br>R | .590<br>14.99 | MPW-7: S<br>R | 1.190<br>30.23 | MPW-11: S<br>R | 2.190<br>55.63 | MPW-15: S<br>R | 2.990<br>75.95 | MPW-19: S<br>R | 3.790<br>96.27  |
| MPW-4: S<br>R | .790<br>20.07 | MPW-8: S<br>R | 1.590<br>40.39 | MPW-12: S<br>R | 2.390<br>60.71 | MPW-16: S<br>R | 3.190<br>81.03 | MPW-20: S<br>R | 3.990<br>101.38 |
| MPW-5: S<br>R | .990<br>25.15 | MPW-9: S<br>R | 1.790<br>45.47 | MPW-13: S<br>R | 2.590<br>65.79 | MPW-17: S<br>R | 3.390<br>86.11 |                |                 |

### Contact Type

- S: Straight
- R: Right Angle