



# LA(C)5621-11-HE 0.56" SINGLE DIGIT DISPLAY

## Features

- \* LOW CURRENT REQUIREMENTS
- \* EXCELLENT CHARACTER APPEARANCE
- \* HIGH LIGHT OUTPUT
- \* RELIABLE AND RUGGED
- \* IC COMPATIBLE

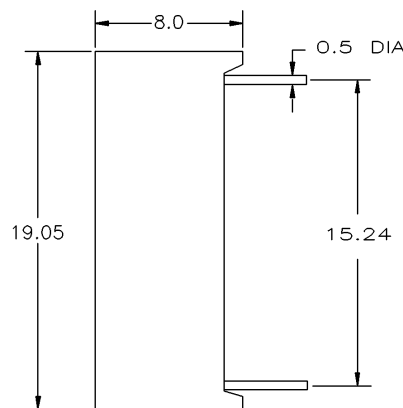
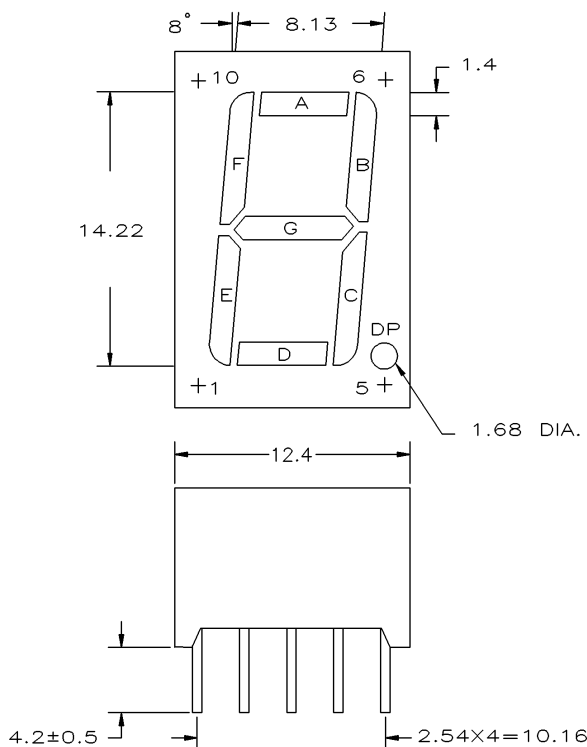
## Absolute Maximum Ratings at T<sub>A</sub>=25°C

REVERSE VOLTAGE PER LED CHIP (<100 μ A)	5.0 V
D.C. FORWARD CURRENT PER LED CHIP	30 mA
PULSE CURRENT (1/10 DUTY CYCLE, 0.1 ms PULSE WIDTH) PER LED CHIP	100 mA
OPERATING TEMPERATURE RANGE	-25°C TO +85°C
STORAGE TEMPERATURE RANGE	-25°C TO +100°C
LEAD SOLDERING TEMP. (1.6mm FROM SEATING PLANE)	260°C FOR 3 SEC.

## Electrical/optical characteristics at T<sub>A</sub>=25°C

PART NUMBER		LED CHIP		FACE COLOR		PEAK WAVELENGTH @20mA(nm)	FORWARD VOLTAGE @20mA(V)		LUMINOUS INTENSITY @10(mcd)	
COMMON ANODE	COMMON CATHODE	MATERIAL	EMITTING COLOR	SURFACE	SEGMENT OR DOT		TYP.	MAX.	MIN.	TYP.
LA5621-11-HEEWS	LC5621-11-HEEWS	GaP	GREEN	GREY	WHITE	572	2.1	2.4	2.5	4.5

## Package Dimensions And Pin Function



- |   |   |
|---|---|
| <p>LA5621-11-HE<br/>COMMON ANODE</p> <p>PIN NO. FUNCTION</p> <ol style="list-style-type: none"> <li>1.CATHODE E</li> <li>2.CATHODE D</li> <li>3.COMMON ANODE</li> <li>4.CATHODE C</li> <li>5.CATHODE DP</li> <li>6.CATHODE B</li> <li>7.CATHODE A</li> <li>8.COMMON ANODE</li> <li>9.CATHODE F</li> <li>10.CATHODE G</li> </ol> | <p>LC5621-11-HE<br/>COMMON CATHODE</p> <p>PIN NO. FUNCTION</p> <ol style="list-style-type: none"> <li>1.ANODE E</li> <li>2.ANODE D</li> <li>3.COMMON CATHODE</li> <li>4.ANODE C</li> <li>5.ANODE DP</li> <li>6.ANODE B</li> <li>7.ANODE A</li> <li>8.COMMON CATHODE</li> <li>9.ANODE F</li> <li>10.ANODE G</li> </ol> |
|---|---|

1.ALL DIMENSIONS ARE IN mm, TOLERANCE IS ±0.25mm UNLESS OTHERWISE NOTED.  
2.THE SLOPE ANGLE OF ANY PIN MAY BE ±5.0° MAX.